

Panasonic®

Operating Instructions
Bedienungsanleitung
Gebruiksaanwijzing
Mode d'emploi
Manuale di istruzioni
Instrucciones de funcionamiento
Manual de instruções
Instrukcja obsługi
Bruksanvisning
Brugsanvisning
Bruksanvisning
Käyttöohjeet
Instrukcja obsługi
Návod na obsluhu
Kezelési útmutató
Instrucțiuni de operare

Microwave Oven
Mikrowellengerät
Magnetron Oven
Four à Micro-ondes
Forno a Microonde
Horno Microondas
Forno Micro-Ondas
Kuchenka Mikrofalowa
Mikrovågor
Mikrobølgeovn
Mikrobølge
Mikroaaltouuni
Kuchenka mikrofalowa z grillem
Mikrovlinná rúra
Grillezös/mikrohullámú sütő
Cuptor cu microunde

Model No.: NN-E201 WM / NN-E221 MM

English

Nederlands

Deutsch

Français

Italiano

Español

Português

Polski

Svensk

Dansk

Norsk

Suomi

Česky

Slovensky

Magyar

Română

IMPORTANT SAFETY INSTRUCTIONS: Before operating this oven, please read these instructions carefully and keep for future reference.

WICHTIGE SICHERHEITSANWEISUNGEN. Bitte sorgfältig durchlesen und zur weiteren Bezugnahme aufbewahren.

BELANGRIJKE VEILIGHEIDSINSTRUCTIES. Lees ze a.u.b. zorgvuldig door en bewaar ze zodat u ze opnieuw kunt raadplegen wanneer nodig.

INSTRUCTIONS DE SÛRETÉ IMPORTANTES. Avant d'utiliser le four à micro-ondes, lisez attentivement les recommandations d'utilisation et conservez-les soigneusement.

ISTRUZIONI IMPORTANTI PER LA SICUREZZA. Leggere attentamente queste note e conservarle per riferimento futuro.

INSTRUCCIONES SOBRE SEGURIDAD IMPORTANTES. Léalas detenidamente y guárdelas para futura referencia.

INSTRUÇÕES DE SEGURANÇA IMPORTANTES. Leia atentamente as instruções de segurança e guarde-as para futuras consultas.

WAŻNE INSTRUKCJE BEZPIECZEŃSTWA. Prosimy o dokładne zapoznanie się z instrukcją i zachowanie jej.

VIGTIGE SIKKERHEDSFORSKRIFTER. Læses omhyggeligt, og opbevares til senere brug.

VIKTIGE SIKKERHETSINSTRUKSJONER. Les nøye, og oppbevar på et trygt sted slik at du kan slå opp ved behov.

TÄRKEITÄ TURVALLISUUSTIETOJA. Lue nämä ohjeet huolellisesti ja säilytä ne myöhempää tarvetta varten.

VIKTIGA SÄKERHETSANVISNINGAR. Läs igenom anvisningarna noga och spara dem för framtida referens.

DŮLEŽITÉ BEZPEČNOSTNÍ POKYNY. Před uvedením trouby do provozu si laskavě pečlivě přečtěte tyto pokyny a uschovejte je pro budoucí použití.

DÔLEŽITÉ BEZPEČNOSTNÉ UPOZORNENIE. Pred uvedením tejto mikrovlnnej rúry do činnosti si dôkladne naštudujte tento návod na obsluhu a odložte si ho pre prípad potreby v budúcnosti.

FONTOS BIZTONSÁGI TUDNIVALÓK

Kérjük, olvassa el gondosan, és őrizze meg a későbbiekben.

INSTRUCȚIUNI DE SIGURANȚĂ IMPORTANTE: Înainte de utilizarea a acestui cuptor, vă rugăm să citiți cu atenție aceste instrucțiuni și să le păstrați pentru referințe ulterioare.

Installation and Connection

Examine your microwave oven

Unpack the oven, remove all packing material, and examine the oven for any damage such as dents, broken door latches or cracks in the door. If you find any damage, notify your dealer immediately. Do not install a damaged microwave oven.

Earthing instructions

IMPORTANT: THIS UNIT HAS TO BE PROPERLY EARTHED FOR PERSONAL SAFETY.

If your AC outlet is not grounded, it is the personal responsibility of the customer to have it replaced with a properly grounded wall socket.

Operation voltage

The voltage has to be the same as specified on the label on the oven. If a higher voltage than specified is used, it may cause a fire or other damages.

Placement of the Oven

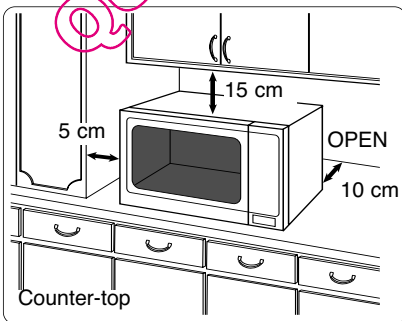
This oven is intended for household countertop use only. It is not intended for built-in use or use inside a cabinet.

1. Place the oven on a flat and stable surface, more than 85 cm above the floor.
2. When this oven is installed, it should be easy to isolate the appliance from the electricity supply by pulling out the plug or operating a circuit breaker.

3. For proper operation, ensure a sufficient air circulation for the oven.

Counter-top use:

- a. Allow 15 cm of space on the top of the oven, 10 cm at the back, 5 cm on one side, and the other side must be opened more than 40 cm.
 - b. If one side of the oven is placed flush to a wall, the other side or top must not be blocked.
4. Do not place this oven near an electric or gas cooker range.
 5. The feet should not be removed.
 6. This oven is only for household usage. Do not use outdoors.
 7. Avoid using the microwave oven in high humidity.
 8. The power cord should not touch the outside of the oven. Keep the cord away from hot surfaces. Do not let the cord hang over the edge of a table or work top. Do not immerse the cord, plug or oven in water.
 9. Do not block the air vents on the top and back of the oven. If these openings are blocked during operation the oven may overheat. In this case the oven is protected by a thermal safety device and resumes operation only after cooling down.
 10. This appliance is not intended to be operated by means of an external timer or separate remote-control system.



Installation and Connection

WARNING

Important Safety Instructions

1. The door seals and seal areas should be cleaned with a damp cloth.
The appliance should be inspected for damage to the door seals and door seal areas and if these areas are damaged the appliance should not be operated until it has been repaired by a service technician trained by the manufacturer.
2. Do not attempt to tamper with or make any adjustments or repairs to the door, control panel housing, safety interlock switches or any other part of the oven. Do not remove the outer panel from the oven which gives protection against exposure to microwave energy.
Repairs should only be done by a qualified service person.
3. Do not operate this appliance if it has a damaged CORD OR PLUG, if it is not working properly, or if it has been damaged or dropped. It is dangerous for anyone other than a service technician trained by the manufacturer to perform repair service.
4. If the supply cord is damaged, it must be replaced by the manufacturer or its service agent or a similarly qualified person in order to avoid hazard.
5. Only allow children to use the oven without supervision when adequate instructions have been given so that the child is able to use the oven in a safe way and understands the hazards of improper use.
6. Liquids and other foods must not be heated in sealed containers since they are liable to explode.
7. This appliance is not intended for use by persons (including children) with reduced physical, sensory or mental capabilities, or lack of experience and knowledge unless they have been given supervision or instruction concerning use of the appliance by a person responsible for their safety. Children should be supervised to ensure that they do not play with the appliance.

QUELMICROONDIRECT.COM

Safety Instructions

Use of your oven

1. Do not use the oven for any reason other than the preparation of food. This oven is specifically designed to heat or cook food. Do not use this oven to heat chemicals or other non-food products.
2. Before use, check that utensils/containers are suitable for use in microwave ovens.
3. Do not attempt to use this microwave oven to dry newspaper, clothing or any other materials. They may catch on fire.
4. When the oven is not being used, do not store any objects other than oven accessories inside the oven in case it is accidentally turned on.
5. The appliance shall not be operated WITHOUT FOOD IN THE OVEN. Operation in this manner may damage the appliance.
6. If smoke or a fire occurs in the oven, turn TIMER SELECT DIAL back to zero position and leave door closed. Disconnect the power cord, or shut off power at fuse or circuit breaker panel.

Oven Light

When it becomes necessary to replace the oven light, please consult your dealer

Accessories

The oven comes equipped with a variety of accessories. Always follow the directions given for use of the accessories

Glass Tray

1. Do not operate the oven without the roller ring and the glass tray in place.
2. Never use another type of glass tray than the one specially designed for this oven.
3. If the glass tray is hot, let it cool before cleaning or placing in water.
4. The glass tray can turn in either direction.
5. If the food or cooking vessel on the glass tray touches the oven walls and stops the tray rotating, the tray will automatically rotate in the opposite direction. This is normal.
6. Do not cook foods directly on the glass tray.

Roller Ring

1. The roller ring and the oven floor should be cleaned frequently to prevent noise and build-up of remaining food.
2. The roller ring must always be used for cooking together with the glass tray.

QUELMICROONDS.COM

Important Information

1. Cooking Times

The cooking time depends on the condition, temperature, amount of food and on the type of cookware.

Begin with the minimum cooking time to help prevent overcooking. If the food is not sufficiently cooked you can always cook it for a little longer.

N.B.: If the recommended cooking times are exceeded the food will be spoiled and in extreme circumstances could catch fire and possibly damage the interior of the oven.

2. Small Quantities of Foods

Small quantities of food or foods with low moisture content can burn, dry out or catch on fire if cooked too long. If materials inside the oven should ignite, keep the oven door closed, turn the oven off and remove the plug from the socket.

3. Eggs

Do not cook eggs in their shells and whole hard-boiled eggs by MICROWAVE. Pressure may build up and the eggs may explode, even after the microwave heating has ended.

4. Piercing Skin

Food with non porous skins, such as potatoes, egg yolks and sausages must be pierced before cooking by MICROWAVE to prevent bursting.

5. Meat Thermometer

Use a meat thermometer to check the degree of cooking of roasts and poultry only when the meat has been removed from the oven. Do not use a conventional meat thermometer in the microwave oven because it may cause sparking.

6. Liquids

When heating liquids, e.g. soup, sauces and beverages in your microwave oven, overheating the liquid beyond boiling point can occur without evidence of bubbling. This could result in a sudden boil over of the hot liquid.

To prevent this possibility the following steps should be taken:

- a. Avoid using straight-sided containers with narrow necks.
- b. Do not overheat.
- c. Stir the liquid before placing the container in the oven and again halfway through the cooking time.
- d. After heating, allow it to stand in the oven for a short time, stir again before carefully removing the container.

7. Paper/Plastic

When heating food in plastic or paper containers, check the oven frequently as these types of containers ignite if overheated.

Do not use recycled paper products (e.g. Kitchen Roll) unless the paper product is labelled as safe for microwave oven use. Recycled paper products may contain impurities which may cause sparks and/or fires during use.

Remove wire twist-ties from roasting bags before placing the bags in the oven.

8. Utensils/Foil

Do not heat any closed cans or bottles because they might explode.

Metal containers or dishes with metallic trim should not be used during microwave cooking. Sparking will occur.

If you use any aluminium foil, meat spikes or metalware the distance between them and the oven walls and door should be at least 2 cm to prevent sparking.

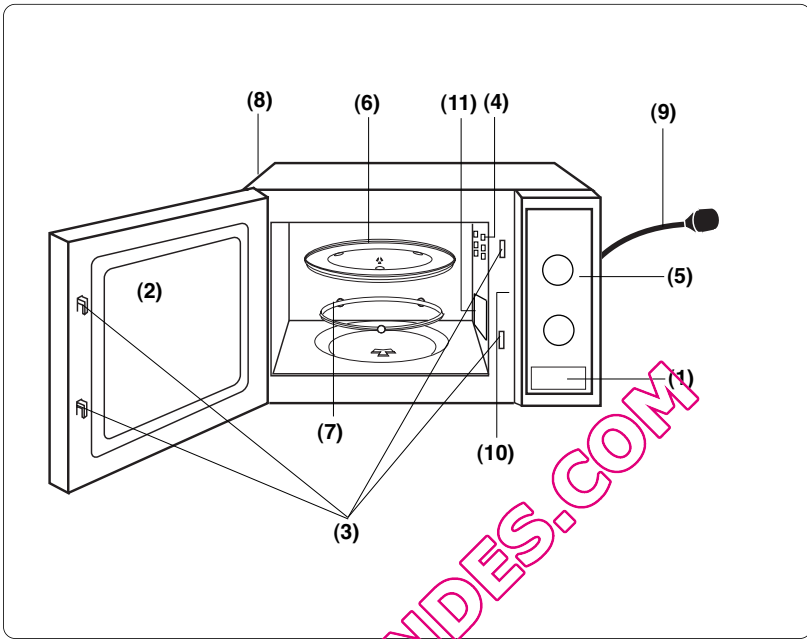
9. Feeding Bottles/Baby Food Jars

The top and teat or lid must be removed from feeding bottles or baby food jars before placing in the oven.

The contents of feeding bottles and baby food jars are to be stirred or shaken.

The temperature has to be checked before consumption to avoid burns.

Outline Diagram



(1) Door Release Pad

Press to open the door. When you open the oven door during cooking, the cooking is stopped temporarily without clearing earlier made settings. Cooking continues as soon as the door is closed.

(2) Oven Window

(3) Door Safety Lock System

(4) Oven Air Vent

(5) Control Panel

(6) Glass Tray

(7) Roller Ring

(8) External Oven Air Vents

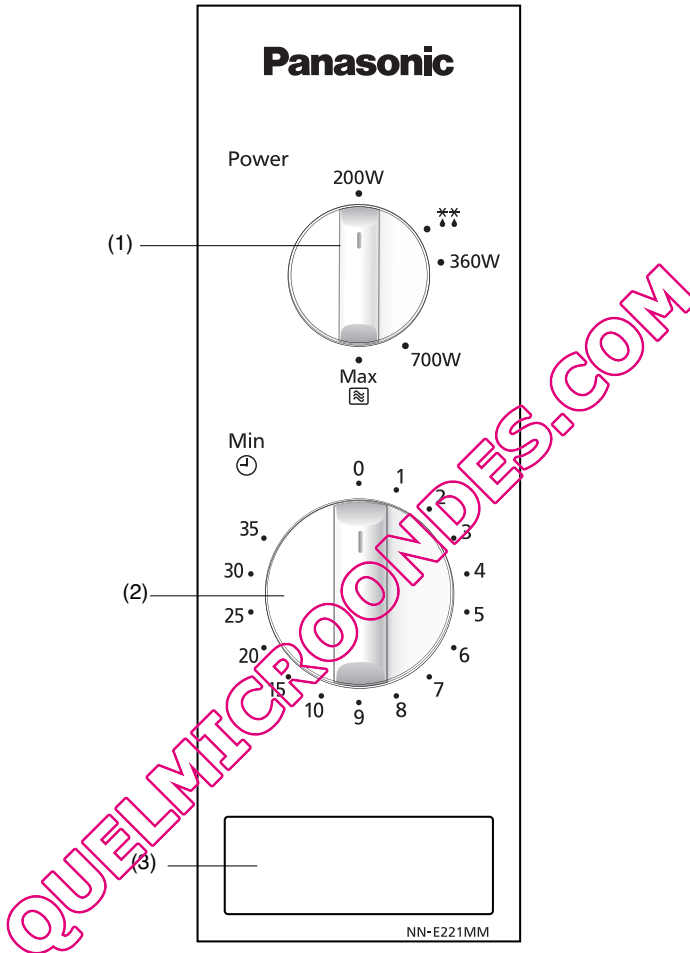
(9) Power cord

(10) Identification label

(11) Feed Guide (Do not remove)

Control Panels

NN-E201WM / NN-E221MM *

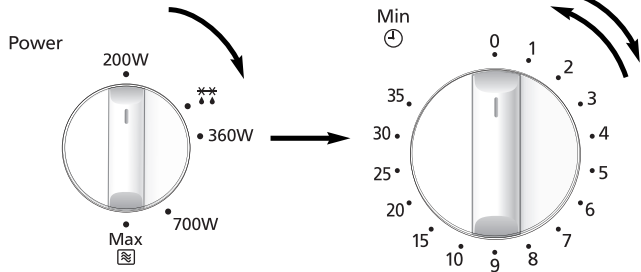


- (1) Microwave Power/Defrost Selection dial
- (2) Timer
- (3) Door Release Pad

*N.B. The design of your control panel may vary from the panel displayed (depending on colour), but the functionality will remain the same.

Microwave Cooking

	Wattage
Max	800 Watts
Medium	700 Watts
Low	360 Watts
Defrost	270 Watts
Warm	200 Watts



- Turn dial to select power level.

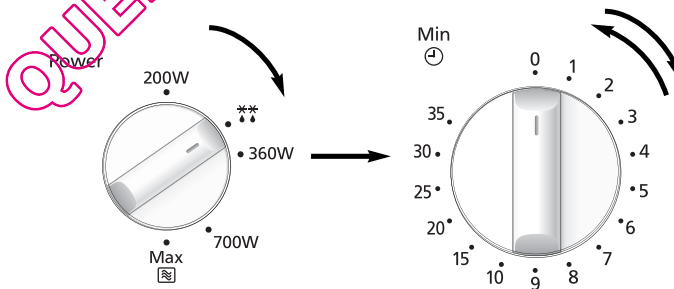
- Set cooking time by turning dial. If the door is already closed, cooking time will begin immediately. For short cooking times always turn the dial to 2 mins and then adjust to time required.

Notes

1. If you wish to check the food during cooking simply open the door. The oven will automatically stop cooking. To continue cooking, close the door.
2. To stop cooking, turn timer dial to zero position. Cooking time can be reset at any time during the cooking cycle by turning the timer dial.
3. When food is removed from the oven after cooking is complete, check the timer is in the zero position.
4. The glass turntable must always be in position when using the oven.

Defrosting

** Defrost power is 270 Watts.

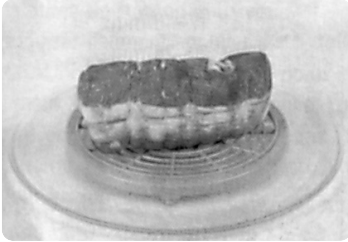


- Select Defrost power by turning the dial.

- Set the defrosting time by turning the dial. If the door is already closed, cooking time will begin immediately. For short cooking times always turn the dial to 2 mins and then adjust to time required.

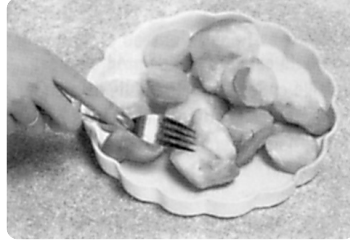
Defrosting Guidelines

Tips for Defrosting



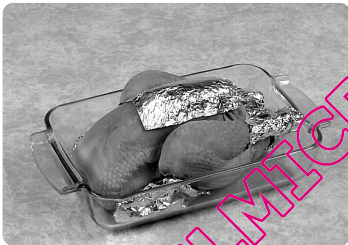
Standing times

Individual portions of food may be cooked almost immediately after defrosting. It is normal for large portions of food to be frozen in the centre. Before cooking, allow to stand for a **minimum of one hour**. During this standing time, the temperature becomes evenly distributed and the food is defrosted by conduction. **N.B.** If the food is not going to be cooked immediately, store it in the refrigerator. Never refreeze defrosted food without first cooking it.



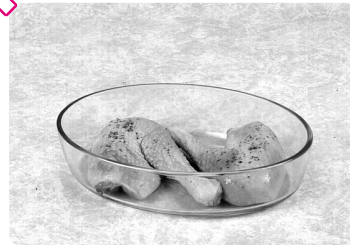
Minced meat or cubes of meat and seafood

Since the outside of these foods quickly defrosts, it is necessary to separate them, break the blocks into pieces frequently while defrosting and remove them when they have defrosted.



Joints and Poultry

It is preferable to place the joints on an upturned plate or plastic rack so that they are not resting in the juices. It is essential to protect delicate or projecting parts of this food with small pieces of foil to prevent these parts from cooking. It is not dangerous to use small pieces of foil in your oven, provided **they do not come into contact with the oven walls**.



Small portions of food

Chops and chicken pieces must be separated as soon as possible so that they defrost evenly throughout.

Fatty parts and the ends defrost more quickly. Place them near the centre of the turntable or protect them.

Bread

Loaves will require standing time to allow the centre to thaw. Standing time can be shortened if slices are separated and rolls and loaves cut in half.

Questions and Answers

Q: Why won't my oven turn on?

A: When the oven does not turn on, check the following:

1. Is the oven plugged in securely? Remove the plug from the outlet, wait 10 seconds and reinsert.
2. Check the circuit breaker and the fuse. Reset the circuit breaker or replace the fuse if it is tripped or blown.
3. If the circuit breaker or fuse is all right, plug another appliance into the outlet. If the other appliance works, there probably is a problem with the oven. If the other appliance does not work, there probably is a problem with the outlet. If it seems that there is a problem with the oven, contact an authorized Service Center.

Q: My microwave oven causes interference with my TV. Is this normal?

A: Some radio and TV interference might occur when you cook with the microwave oven. This interference is similar to the interference caused by small appliances such as mixers, vacuums, blow dryers, etc. It does not indicate a problem with your oven.

Q: Why does my oven light dim?

A: When cooking with a power other than 800W (MAX Power), the oven must cycle to obtain the lower power levels. The oven light dims and clicking noises can be heard when the oven cycles.

Q: Sometimes warm air comes from the oven vents. Why?

A: The heat given off from the cooking food warms the air in the oven cavity. This warmed air is carried out of the oven by the air flow pattern in the oven. There are no microwaves in the air. The oven vents should never be blocked during cooking.

QUELMICROWAVES.COM

Care of Your Oven

1. Turn the oven off before cleaning.
2. Keep the inside of the oven, door seals and door seal areas clean. When food splatters or spilled liquids adhere to the oven walls, door seals and door seal areas wipe off with a damp cloth. Mild detergent may be used if they get very dirty. The use of harsh detergent or abrasive is not recommended.
DO NOT USE COMMERCIAL OVEN CLEANERS.
3. The outside oven surface should be cleaned with a damp cloth. To prevent damage to the operating parts inside the oven, water should not be allowed to seep into the ventilation openings.
4. If the Control Panel becomes dirty, clean it with a soft, dry cloth. Do not use harsh detergents or abrasives on the Control Panel. When cleaning the Control Panel leave the oven door open to prevent the oven from accidentally turning on. After cleaning turn TIMER DIAL back to ZERO position.
5. If steam accumulates inside or around the outside of the oven door, wipe with a soft cloth. This may occur when the microwave oven is operated under high humidity conditions and in no way indicates a malfunction of the unit.
6. It is occasionally necessary to remove the glass tray for cleaning. Wash the tray in warm soapy water or in a dishwasher.
7. The roller ring and oven cavity floor should be cleaned regularly to avoid excessive noise. Simply wipe the bottom surface of the oven with mild detergent and hot water then dry with a clean cloth. The roller ring may be washed in mild soapy water. Cooking vapours collect during repeated use but in no way affects the bottom surface or roller ring wheels. After removing the roller ring from the cavity floor for cleaning, be sure to replace it in the proper position.
8. This oven should only be serviced by qualified personnel. For maintenance and repair of the oven contact the nearest authorized dealer.
9. A steam cleaner must not be used for cleaning.
10. Failure to maintain the oven in a clean condition could lead to deterioration of surfaces that could affect the life of the appliance and possibly result in a hazardous situation.
11. Keep air vents clear at all times. Check that no dust or other material is blocking any of the air vents on the top, bottom or rear of the oven. If air vents become blocked this could cause overheating which would affect the operation of the oven and possibly end in a hazardous situation.
12. Do not use harsh abrasive cleaners or sharp metal scrapers to clean the oven door glass since they can scratch the surface, which may result in shattering of the glass.

Technical Specifications

Power Source:	230 V ~ 50 Hz	
Power Consumption:	Microwave;	1250 W
Output:	Microwave;	800W (IEC-60705)
Outside Dimensions:	443 (W) x 340 (D) x 258 (H) mm	
Oven Cavity Dimensions:	306 (W) x 308 (D) x 215 (H) mm	
Uncrated Weight:	10.5 kg	
Noise level:	46 dB	

Specifications subject to change without notice.

This product is an equipment that fulfills the European standard for EMC disturbances (EMC = Electromagnetic Compatibility) EN 55011. According to this standard this product is an equipment of group 2, class B and is within required limits. Group 2 means that radio-frequency energy is intentionally generated in the form of electromagnetic radiation for purpose of warming or cooking food. Class B means that this product may be used in normal household areas.



Information on Disposal for Users of Waste Electrical & Electronic Equipment (private households)

This symbol on the products and/or accompanying documents means that used electrical and electronic products should not be mixed with general household waste.

For proper treatment, recovery and recycling, please take these products to designated collection points where they will be accepted on a free of charge basis. Alternatively, in some countries you may be able to return your products to your

local retailer upon the purchase of an equivalent new product.

Disposing of this product correctly will help to save valuable resources and prevent any potential negative effects on human health and the environment which could otherwise arise from inappropriate waste handling. Please contact your local authority for further details of your nearest designated collection point.

Penalties may be applicable for incorrect disposal of this waste, in accordance with national legislation.

For business users in the European Union

If you wish to discard electrical and electronic equipment, please contact your dealer or supplier for further information.

Information on Disposal in other Countries outside the European Union

This symbol is only valid in the European Union.

If you wish to discard this product, please contact your local authorities or dealer and ask for the correct method of disposal.

Pursuant to the EMC Directive 2004/108/EC, article 9(2):-

Panasonic Testing Centre

Panasonic Service Europe, a division of Panasonic Marketing Europe GmbH

Winsbergring 15, 22525 Hamburg, F.R. Germany.

Manufactured for Panasonic Corporation by GMMTEAM

No. 6 Yong An RD, Beijiao, Shunde, Foshan, Guangdong, Peoples Republic of China.

QUELMICROONDES.COM

Installatie en aansluiting

Uw magnetronoven controleren

Pak uw magnetron uit, verwijder al het verpakkingsmateriaal en controleer de magnetron op schade, zoals deuken, beschadigde deurvergrendelingen of barsten in de deur. Waarschuw uw dealer onmiddellijk als u beschadigingen aantreft. Een beschadigde magnetronoven mag niet geïnstalleerd worden.

Aarding

BELANGRIJK: DIT APPARAAT DIENST VOOR UW PERSOONLIJKE VEILIGHEID JUUST GEAARD AANGESLOTEN TE WORDEN.

Indien uw stopcontact niet geaard is, is het de persoonlijke verantwoordelijkheid van de klant om het te laten vervangen door een juist geaarde wandcontactdoos.

Bedrijfsspanning

Het voltage dient in overeenstemming te zijn met de op het label van de oven opgegeven spanning. Wanneer een hogere spanning gebruikt wordt, kan dit brand of andere beschadigingen veroorzaken.

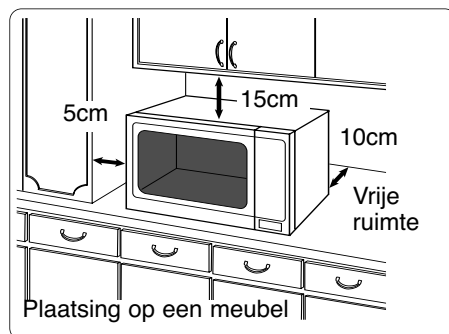
Plaatsen van de oven

Deze oven is alleen bedoeld voor huishoudelijk gebruik op een kast. Hij is niet bedoeld voor inbouw of voor gebruik in een kast.

1. Plaats de oven op een vlak en stabiel oppervlak, meer dan 85 cm boven de vloer.
2. Wanneer deze oven geïnstalleerd is, moet het toestel gemakkelijk gescheiden kunnen worden van de stroomtoevoer door de stekker los te trekken of door een schakelaar te gebruiken.
3. De magnetronoven kan alleen op de juiste wijze functioneren, indien er voldoende ventilatie is.

Plaatsing op een meubel:

- a. Boven de magnetronoven moet een ruimte vrij gelaten worden van 15 cm, aan de achterzijde 10 cm, aan de zijkant 5 cm, en aan de andere zijkant een ruimte van meer dan 40 cm.
- b. Wanneer één van de zijden van de magnetronoven tegen een wand staat, mogen de andere zijde of de bovenkant niet geblokkeerd zijn.



4. Plaats de magnetronoven niet vlak naast andere elektrische apparatuur of een gasfornuis.
5. Verwijder de voeties van de magnetronoven niet.
6. Deze magnetronoven is uitsluitend bestemd voor huishoudelijk gebruik. Niet buitenshuis gebruiken.
7. Het is af te raden de magnetronoven in een vochtige omgeving te gebruiken.
8. Het netsnoer mag niet in aanraking komen met de buitenzijde van de oven. Houd het snoer uit de buurt van warme of hete oppervlakken. Laat het snoer niet over de rand van een tafel of aanrecht hangen. Dompel het snoer, de stekker of de oven niet onder in water.
9. De ventilatie-openingen bovenop en achterop de magnetronoven mogen niet geblokkeerd worden. Indien deze openingen geblokkeerd zijn terwijl de magnetronoven in gebruik is, kan hij oververhit raken. Een thermische beveiliging zal in dit geval de magnetronoven buiten werking stellen en de oven weer inschakelen zodra hij is afgekoeld.
10. Dit apparaat is niet geschikt voor gebruik met een externe timer of met een afzonderlijk systeem voor afstandsbediening.

Installatie en aansluiting

WAARSCHUWING

Belangrijke Veiligheidsinstructies

1. De deurafdichtingen en de plaatsen hieromheen moeten worden schoongemaakt met een vochtige doek. Het apparaat moet gecontroleerd worden op beschadigingen aan de deurafdichtingen en de plaatsen rondom deze afdichtingen; indien er sprake van beschadiging is, mag het apparaat niet gebruikt worden totdat het door een door de fabrikant erkende onderhoudstechnicus gerepareerd is.
2. Probeer niet zelf reparaties uit te voeren aan de ovendeur, het bedieningspaneel, de veiligheids-vergrendelingsschakelaars of welk ander deel van de magnetronoven dan ook. Verwijder de behuizing van de magnetron-oven niet; deze biedt bescherming tegen blootstelling aan magnetron-energie. Reparaties mogen uitsluitend door gekwalificeerd servicepersoneel worden uitgevoerd.
3. Gebruik dit apparaat niet, indien het NET-SNOER en/of de STEKKER beschadigd zijn. Indien het apparaat niet goed functioneert, beschadigd of gevallen is, mogen in verband met de veiligheid reparaties uitsluitend uitgevoerd worden door onderhoudspersoneel welke door de fabrikant erkend zijn.
4. Indien het netsnoer beschadigd is, moet dit direct vervangen worden door gekwalificeerde technici om mogelijke schade/letsel te voorkomen.
5. Kinderen mogen de magnetronoven uitsluitend onder toezicht gebruiken wanneer ze goed ingelicht zijn, zodat ze de oven op veilige wijze kunnen bedienen en zich bewust zijn van de gevaren van onjuist gebruik.
6. Ontploffingsgevaar bestaat indien voedsel of dranken in een gesloten blik of fles verwarmd worden.
7. Dit apparaat is niet bedoeld voor gebruik door personen (met inbegrip van kinderen) met beperkte fysieke, zintuiglijke of mentale vermogens of met een gebrek aan ervaring of kennis, tenzij ze onder toezicht staan van of richtlijnen hebben gekregen over het gebruik van het apparaat door een persoon die verantwoordelijk is voor hun veiligheid. Kinderen moeten onder toezicht staan om te verhinderen dat ze spelen met het apparaat.

QUELMICROOND.COM

Veiligheidsinstructies

Gebruik van uw magnetronoven

1. Gebruik de oven uitsluitend voor het bereiden van voedsel. Deze magnetronoven is speciaal ontworpen voor het opwarmen en bereiden van voedsel. Gebruik de magnetronoven niet om chemische of andere niet eetbare producten te verwarmen.
2. Voor gebruik dient u er zich van te verzekeren dat alle te gebruiken hulpmiddelen (schalen/bakvormen enz.) geschikt zijn voor gebruik in de magnetronoven.
3. Gebruik de magnetronoven niet om krantenpapier, kleding of andere materialen te drogen. Ze kunnen vlam vatten.
4. Gebruik de magnetronoven niet om voorwerpen (anders dan de accessoires) in op te bergen.
5. Gebruik het apparaat niet ZONDER DAT ZICH HIERIN VOEDSEL BEVINDT. Het apparaat kan hierdoor beschadigd raken.
6. Als er rook in uw oven ontstaat, druk dan op de STOP/WISTOETS of zet de TIMER-schakelaar terug in de nul-stand en laat de deur gesloten. Trek de stekker uit het stopcontact of schakel de elektriciteitsvoorziening uit.

Ovenlicht

Voor vervanging van de lamp van de oven moet u contact opnemen met uw dealer.

Accessoires

Er wordt een aantal toebehoren bij deze magnetronoven geleverd. Volg altijd de instructies op van het betreffende toebehoren.

Glazen draaiplateau

1. Laat de oven niet werken zonder de rolring en het glazen plateau.
2. Gebruik uitsluitend het glazen draaiplateau dat speciaal voor deze magnetronoven ontworpen is.
3. Als het glazen draaiplateau heet is, moet het eerst afkoelen voordat u het schoonmaakt of in water onderdompelt.
4. Het glazen draaiplateau kan in beide richtingen draaien.
5. Indien het voedsel in de schaal op het plateau de wanden van de oven raakt, waardoor het draaien stopt, gaat het draaiplateau automatisch in de tegengestelde richting draaien. Dit is normaal.
6. Bereid geen voedsel direct op het glazen draaiplateau.

Rolring

1. De rolring en de bodem van de oven moeten regelmatig worden schoongemaakt om lawaai en een teveel aan voedselresten te voorkomen.
2. Gebruik altijd de rolring bij het koken met het glazen plateau.

Belangrijke informatie

1. Kooktijden

De in het kookboek vermelde kooktijden zijn bij benadering gegeven. Factoren, die invloed hebben op de kookduur, zijn: de begintemperatuur, de hoeveelheid voedsel en de materialen die voor het koken worden gebruikt.

Begin met de minimale kooktijd om te voorkomen dat het voedsel te gaar wordt. Als het voedsel niet gaar genoeg geworden is, kunt u het altijd nog wat langer bereiden.

OPMERKING: Als u het voedsel langer kookt dan de aanbevolen kooktijden, kan het bederven, en in extreme gevallen zelfs vlam vatten en de magnetronoven beschadigen.

2. Kleine hoeveelheden voedsel

Kleine hoeveelheden voedsel met een gering vochtgehalte kunnen uitdrogen, aanbranden of zelfs verbranden als ze te lang doorkoken. Indien het voedsel in de oven vlam vat, moet de ovendeur gesloten blijven, de magnetronoven uit gezet worden en moet de stekker uit het stopcontact worden genomen.

3. Eieren

Kook met de magnetron geen ongepelde eieren en verwarm geen hardgekookte eieren. Eieren kunnen omwille van de druk ontploffen, zelfs na hun opwarming in de magnetron.

4. Niet-poreuze schil

Voedsel zonder poreuze schil, zoals aardappelen, eierdooiers en wortjes, moeten doorprikt worden alvorens ze met de magnetronoven te bereiden. Zo voorkomt u dat ze exploderen.

5. Vleesthermometer

Indien u gebruik maakt van een vleesthermometer voor vlees en gevogelte, gebruik deze dan alleen wanneer het voedsel buiten de magnetronoven is. Gebruik geen conventionele vleesthermometer binnen de magnetronoven, omdat vonken kunnen optreden.

6. Vloeistoffen

Indien vloeistoffen, zoals soep, sauzen en dranken opgewarmd worden in uw magnetronoven, kunnen deze zonder te gaan borrelen heter worden dan het kookpunt.

Hierdoor kan de hete vloeistof plotseling gaan overkoken. Om dit te voorkomen, kunnen de volgende stappen ondernomen worden:

- a. Gebruik geen rechte glazen of bekertjes met smalle of toelopende bovenkant.
- b. Niet te lang verwarmen.
- c. Roer de vloeistof om alvorens deze in de oven te plaatsen en roer halverwege de opwarmtijd nogmaals om.
- d. Laat de vloeistof na het verwarmen nog even in de oven staan en roer goed om voordat u de vloeistof uit de oven haalt.

7. Papier/kunststof

Als u voedsel gaat verwarmen in kunststof of papieren bakjes, dient u de oven regelmatig te controleren omdat deze bakjes bij oververhitting vlam kunnen vatten.

Gebruik geen gerecycled papier (b.v. keukenrol), tenzij het papierproduct gekenmerkt is als zijnde veilig voor gebruik in een magnetronoven.

Onzuiverheden in gerecycled papier kunnen in de magnetron vonken en/of brand veroorzaken.

Verwijder metalen sluitingen van braadzakken voordat u deze in de oven plaatst.

8. Keuken gerei/folie

Verwarm nooit gesloten potjes of flessen omdat deze kunnen exploderen.

Gebruik geen metalen bakjes of schotels met metalen randen tijdens de magnetron-functie. Hierdoor kunnen er vonken ontstaan.

Bij gebruik van aluminiumfolie, vleesspiessen of andere metalen voorwerpen, moet de afstand tot de ovenwanden minimaal 2 cm bedragen om vonkoverslag te voorkomen.

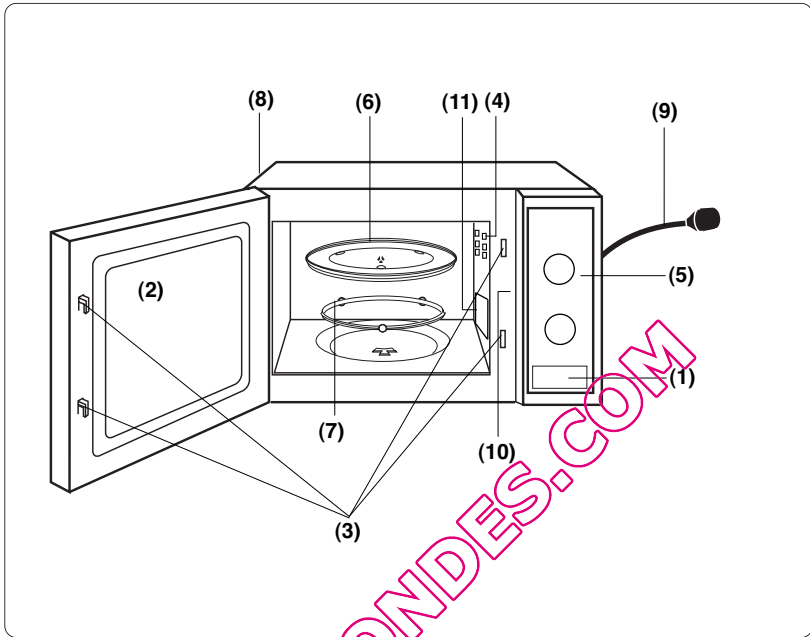
9. Zuigflessen/potjes babyvoeding

De speen of deksel moeten verwijderd worden van zuigflessen of potjes babyvoedsel alvorens ze in de magnetronoven te plaatsen.

Schud zuigflessen goed en roer de inhoud van de potjes met babyvoeding een paar maal om.

Controleer de temperatuur van het nuttigen voedsel voor het nuttigen zorgvuldig om een mogelijke verbranding te voorkomen.

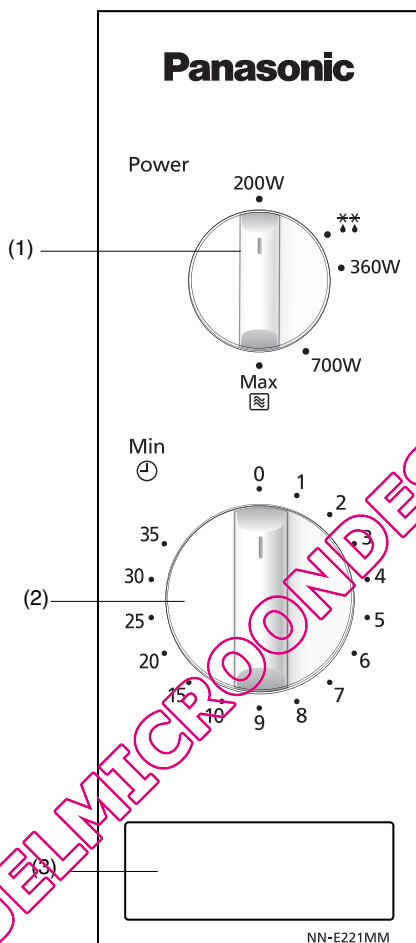
De magnetron-oven



- (1) **Deur-ontgrendelknop**
Indrukken om de deur te openen. Indien u de deur tijdens het koken opent, wordt het kookproces tijdelijk onderbroken, zonder dat de eerder ingevoerde instellingen verdwijnen. Het kookproces zal hervatten van zodra de deur gesloten is.
- (2) **Doorkijkvenster**
- (3) **Veiligheids-deurvergrendelingssystem**
- (4) **Ventilatie-openingen**
- (5) **Bedieningspaneel**
- (6) **Glazen draaiplateau**
- (7) **Rolling**
- (8) **Externe ventilatie-openingen**
- (9) **Elektriciteitssnoer**
- (10) **Identificatie plaat**
- (11) **Microgolfsgeleider (niet verwijderen)**

Bedieningspanelen

NN-E201WM / NN-E221MM *



- (1) **Functieschakelaar magnetronvermogen / ontdoeien**
- (2) **Timer-schakelaar**
- (3) **Deur-ontgrendeltoets**

*Opmerking:

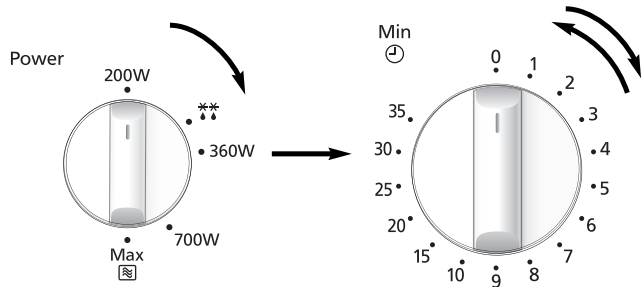
De uitvoering van het bedieningspaneel kan afwijken van de afbeelding (afhankelijk van de kleur).
De functies zijn echter dezelfde.

Koken met de magnetronoven

Hoog
Midden
Laag
Ontdooien
Opwarmen

Wattage

800 W
700 W
360 W
270 W
200 W



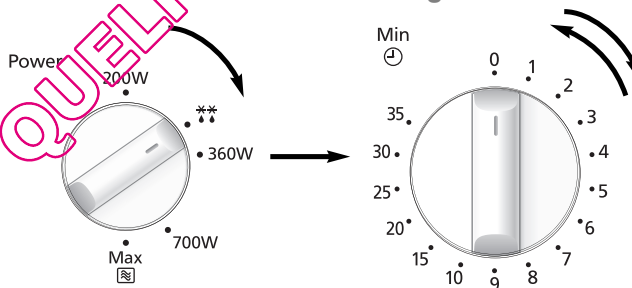
- Draai de functieschakelaar om het gewenste vermogen te selecteren.
- Stel, d.m.v. het draaien van de timer-schakelaar, de kooktijd in. Als de deur gesloten is, zal het kookproces onmiddellijk starten. Voor het instellen van korte kooktijden dient de timer-schakelaar eerst op 2 minuten ingesteld te worden en vervolgens op de gewenste kooktijd.

Opmerkingen:

1. Indien u het gerecht tijdens de bereiding wilt controleren, kunt u gewoon de deur openen. De magnetronoven stopt het proces automatisch. Om het kookproces te vervolgen, dient de deur gesloten te worden.
2. Om het kookproces te beëindigen, draait u de timer-schakelaar op nul. M.b.v. de timer-schakelaar kunt u de bereidingstijd op ieder moment van het kookproces wijzigen.
3. Zodra u het gerecht, nadat het kookproces afgerond is, uit de magnetron neemt, dient de timer-schakelaar op nul gesteld te worden.
4. Het glazen draaiplateau dient tijdens het gebruik van de magnetron, altijd op de juiste positie geplaatst te zijn.

Ontdooien

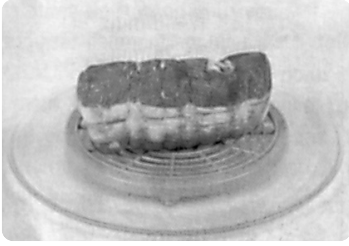
*** Het vermogen voor het ontdooien is 270 W.



- Stel het vermogen voor het ontdooien, m.b.v. de schakelaar, in.
- Stel de tijd voor het ontdooien, m.b.v. de timer-schakelaar in. Als de deur gesloten is, zal het ontdooien onmiddellijk starten. Voor het instellen van korte ontdooitijden dient de timer-schakelaar eerst op 2 minuten ingesteld te worden en vervolgens op de gewenste ontdooitijd.

Ontdooien

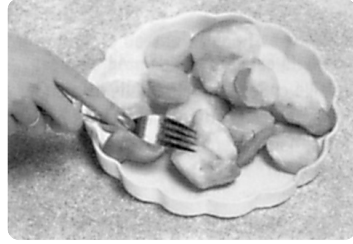
Tips Voor Het Ontdooien



Nagaartijden

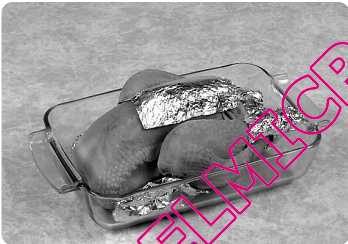
Afzonderlijke porties voedsel kunnen praktisch onmiddellijk na het ontdooien bereid worden. Het is normaal dat grotere porties voedsel in het midden nog bevroren zijn. Alvorens te gaan bereiden **minimaal een uur laten staan**. Tijdens de rusttijd, wordt de temperatuur gelijkmatig verdeeld en wordt het voedsel door geleiding ontdooid.

Opmerking: Indien het voedsel niet onmiddellijk bereid wordt, moet het in de koelkast bewaard worden. Ontdooid voedsel mag nooit opnieuw ingevroren worden zonder dat het eerst gekookt is.



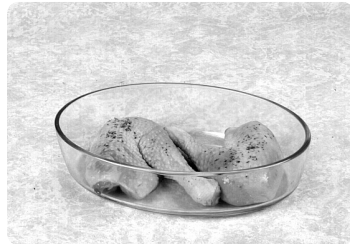
Gehakt of brokjes vlees en vis

Omdat de buitenkant van dit soort voedsel snel ontdooit, moeten zij van elkaar gescheiden worden; breek het blok in **regelmatige stukken** tijdens het ontdooien en verwijder de stukjes die reeds ontdooid zijn.



Braadstuk en gevogelte

Plaats de braadstukken bij voorkeur op een omgekeerd bord of plastic rooster, zodat ze niet in hun sappen komen te liggen. Het is van essentieel belang om delicate of uitstekende delen van dit vlees af te dekken met kleine stukjes folie, om te voorkomen dat deze delen gaan koken. Het is niet gevaarlijk om kleine stukjes folie in uw magnetron te gebruiken, mits **zij niet in contact komen met de wanden van de magnetron**.



Kleine porties voedsel

Koteletten en stukken kip moeten zo snel mogelijk van elkaar gescheiden worden, zodat zij gelijkmatig en volledig ontdooien. Vettige delen en de uiteinden ontdooien sneller. Leg deze in de buurt van het midden van het draaiplateau of dek ze af.

Brood

Voor brood is de standaard insteltijd noodzakelijk om deze geheel te ontdooien. De standaard insteltijd kan verkort worden door de sneden uiteen te halen of het brood in twee te snijden.

Vragen en antwoorden

- V:** Waarom kan de oven niet worden ingeschakeld?
- A:** Controleer het volgende wanneer de oven niet kan worden ingeschakeld:
1. Is de stekker goed aangesloten? Neem de stekker uit het stopcontact, wacht tien seconden en steek de stekker weer in het stopcontact.
 2. Controleer de zekering en de stroomonderbreker. Schakel de stroomonderbreker in of vervang de zekering als hij uitgeschakeld resp. doorgeslagen is.
 3. Indien de stroomonderbreker of de zekering in orde zijn, probeer dan een ander apparaat op het stopcontact aan te sluiten. Indien het andere apparaat werkt, is er waarschijnlijk een probleem met de oven. Indien het andere apparaat niet werkt, is er waarschijnlijk een probleem met het stopcontact. Indien het er naar uitziet dat er een probleem met de oven is, moet contact opgenomen worden met een erkend servicecentrum.
- V:** Mijn magnetronoven stoort mijn TV-toes-
tel. Is dit normaal?
- A:** Er kan een bepaalde mate van storing op de radio en TV optreden wanneer de magnetronoven wordt gebruikt. Deze storing is gelijk aan het soort interferentie dat veroorzaakt wordt door kleine huishoudelijke apparaten zoals mixers, stofzuigers, haardrogers e.d. Dit duidt niet op een storing in uw magnetronoven.
- V:** Waarom dimt het ovenlicht?
- A:** Wanneer u de magnetronoven gebruikt met een ander vermogen dan 800 W (MAX. vermogen) schakelt de oven automatisch lagere vermogensniveaus in. Dit gaat gepaard met klik-geluiden en het dimmen van de verlichting.
- V:** Soms komt er warme lucht uit de ventilatie openingen van de oven. Waarom?
- A:** De warmte afkomstig van het bereiden van het voedsel verwarmt de lucht in de oven. Deze warme lucht wordt de oven uitgeleid via het luchtstroompatroon in de oven. Deze lucht bevat geen magnetronstraling. De ventilatie-openingen van de oven mogen nooit geblokkeerd worden.

Verzorging van uw magnetronoven

1. Zet de oven uit alvorens hem te reinigen.
2. Houd de deurafdichtingen en de plaatsens hieromheen schoon. Als er spatten en gemorste vloeistoffen vast zijn gaan zitten op de ovenwanden, deurafdichtingen en de plaatsens hieromheen, moeten deze worden schoongemaakt met een vochtige doek. Als zij zeer vuil zijn geworden mag gebruik gemaakt worden van een mild reinigingsmiddel. Het gebruik van agressieve reinigingsmiddelen of schuursponsjes wordt niet aanbevolen.
GEBRUIK GEEN COMMERCIËLE OVEN-REINIGERS.
3. De buitenzijde van de oven moet worden schoongemaakt met een vochtige doek. Ter voorkoming van schade aan de onderdelen binnen in de oven, mag er geen water via de ventilatie-openingen naar binnen sijpelen.
4. Indien het bedieningspaneel vuil wordt, moet dit met een zachte, droge doek gereinigd worden. Gebruik geen agressieve reinigingsmiddelen of schuursponsjes op het bedieningspaneel. Bij het reinigen van het bedieningspaneel moet de ovendeur open blijven om te voorkomen dat de oven per ongeluk wordt ingeschakeld. Na het schoonmaken moet de STOP/WISTOETS worden aangetipt om het uitleesvenster weer op de kloktijd te stellen of draai de TIMER-SCHAKELAAR terug naar de NULSTAND.
5. Indien er aan de binnenkant van de ovendeur of rondom de buitenkant hiervan stoomvorming plaatsvindt, veeg deze dan weg met een zachte doek. Dit kan het geval zijn, wanneer de magnetronoven wordt gebruikt in een ruimte met een hoge vochtigheidsgraad; dit duidt niet op foutief functioneren van het apparaat.
6. Van tijd tot tijd moet het glazen draaiplateau verwijderd worden om het schoon te maken. Reinig het plateau in warm water met een afwasmiddel of in een vaatwasmachine.
7. De rolring en de holte in de bodem van de oven moeten regelmatig worden schoongemaakt om overdreven lawaai te voorkomen. Veeg het oppervlak van de bodem van de oven schoon met een zacht detergent en heet water, en droog het af met een schone doek. Was de rolring in zacht zeepwater. Bij een regelmatig gebruik worden kookdampen verzameld. Dit heeft echter geen invloed op het oppervlak van de bodem of op de wielen van de rolring. Wanneer u de rolring voor het schoonmaken uit de holte in de bodem haalt, moet u hem daarna in de juiste positie terugplaatsen.
8. De magnetronoven mag uitsluitend door gekwalificeerd servicepersoneel worden gerepareerd. Neem voor onderhoud en reparaties van de oven contact op met de dichtstbijzijnde erkende verdeler.
9. Gebruik geen stoomreiniger voor het reinigen.
10. Als u de oven niet schoon houdt, is het mogelijk dat de kwaliteit van de oppervlakken vermindert waardoor de levensduur van het toestel verkort en er mogelijk gevaarlijke situaties ontstaan.
11. Houd ventilatie-openingen altijd vrij. Controleer dat stof of andere materialen de ventilatie-openingen boven-, onder- of achteraan de oven niet blokkeren. Een blokkering van de ventilatie-openingen kan leiden tot oververhitting en de werking van de oven hinderen.
12. Gebruik geen ruwe, schurende schoonmaakmiddelen of scherpe, metalen krabbers om het deurglas van de oven schoon te maken, omdat ze krassen kunnen veroorzaken op het oppervlak, waardoor het glas kan versplinteren.

Technische specificaties

Netvoeding	230 V ~ 50 Hz	
Stroomverbruik:	Magnetron;	1250 W
Capaciteit:	Magnetron;	800 W (IEC-60705)
Buitenafmetingen:	443 (W) x 340 (D) x 258 (H) mm	
Binnenafmetingen:	306 (W) x 308 (D) x 215 (H) mm	
Gewicht:	10.5 kg	
Geluidsniveau:	46 dB	

De specificaties kunnen zonder nadere aankondiging worden gewijzigd.

Dit product voldoet aan de Europese standaard (EN 55011) voor EMC interferenties (EMC = Elektromagnetische Compatibiliteit).

Overeenkomstig deze standaard behoort dit product tot de apparatuur groep 2, klasse B en voldoet deze aan alle normeringseisen.

Groep 2 houdt in dat de Frequentie energie wordt opgewekt in de vorm van elektromagnetische straling bedoeld voor het verwarmen en koken van voedsel. Klasse B informeert dat dit product gebruikt kan worden voor normaal huishoudelijk gebruik.



Informatie over het weggooien van elektrische en elektronische apparatuur (particulieren)

Dit symbool betekent in Europa dat gebruikte elektrische en elektronische producten niet bij het normale huishoudelijke afval mogen.

Lever deze producten in bij de aangewezen inzamelingspunten, waar ze gratis worden geaccepteerd en op de juiste manier worden verwerkt, teruggewonnen en hergebruikt. In Nederland kunt u uw producten bij uw winkelier inleveren bij de aanschaf van een vergelijkbaar nieuw product.

Wanneer u dit product op de juiste manier als afval inlevert, spaart u waardevolle hulpbronnen en voorkomt u potentiële negatieve gevolgen voor de volksgezondheid en het milieu die anders kunnen ontstaan door een onjuiste verwerking van afval. Neem contact op met uw gemeente voor meer informatie over het dichtstbijzijnde inzamelingspunt of raadpleeg www.nvmp.nl, www.ictoffice.nl of www.stibat.nl.

Voor zakelijke gebruikers in de Europese Unie

Neem voor het weggooien van elektrische en elektronische apparatuur contact op met uw leverancier voor verdere informatie.

Informatie over verwijdering van afval in landen buiten de Europese Unie

Dit symbool is alleen geldig in de Europese Unie.

Neem wanneer u dit product wilt weggooien, contact op met de lokale overheid of uw leverancier en vraag wat de juiste verwijderingsmethode is.

Overeenkomstig richtlijn 2004/108/EG, artikel 9(2)

Panasonic Testcentrum

Panasonic Service Europe, een afdeling van Panasonic Marketing Europe GmbH
Winsberggring 15, 22525 Hamburg, Bondsrepubliek Duitsland.

Gefabriceerd voor Panasonic Corporation door GMMEAM

nr. 6 Yong An RD, Beijiao, Shunde, Foshan, Guangdong, Volksrepubliek China.

QUELMICROONDES.COM

Aufstellen und Anschließen

Überprüfung Ihres Mikrowellengerätes

Das Gerät auspacken, Verpackungsmaterial entfernen und auf Beschädigungen wie z.B. Stoßstellen, gebrochene Türverriegelungen oder Risse in der Tür überprüfen. Sofort den Händler benachrichtigen, wenn das Gerät beschädigt ist. Kein beschädigtes Mikrowellengerät installieren.

Erdungsvorschriften

WICHTIG: ZUR SICHERHEIT VON PERSONEN MUSS DIESES GERÄT GEERDET SEIN!

Ist die Steckdose nicht geerdet, muß der Kunde die Steckdose durch eine ordnungsgemäße Schutzkontaktsteckdose ersetzen lassen.

Betriebsspannung

Die Netzspannung muß der auf dem Typenschild des Gerätes angegebenen Spannung entsprechen. Wird eine höhere Spannung als angegeben verwendet, so kann ein Brand entstehen oder sonst ein Unfall die Folge sein.

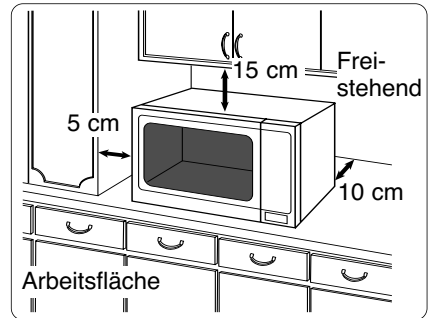
Aufstellen des Gerätes

Das Gerät ist ausschließlich zur privaten Nutzung als Tischgerät geeignet, nicht als Einbaugerät oder für die Verwendung in Schränken.

1. Stellen Sie das Gerät auf eine flache und stabile Oberfläche, die sich mehr als 85 cm über dem Boden befindet.
2. Achten Sie beim Aufstellen des Gerätes darauf, daß bei Gefahr jederzeit der Stecker gezogen oder die Sicherung am Sicherungskasten ausgeschaltet werden kann.
3. Das Gerät arbeitet ordnungsgemäß, wenn eine ausreichende Luftzirkulation stattfinden kann.

Aufstellen auf der Arbeitsfläche:

- a. Sicherheitsrichtlinien empfehlen die Einhaltung eines Mindestabstands von 15 cm über dem Gerät, 10 cm zur Rückwand sowie 5 cm zur einen und 40 cm freistehend zur anderen Seite.
- b. Sollte das Gerät an einer Seite direkt an der Wand stehen, müssen die anderen Seiten frei bleiben.



4. Das Gerät nicht in unmittelbarer Nähe eines Gas- oder Elektroherdes aufstellen.
5. Die Stellfüße dürfen nicht entfernt werden.
6. Dieses Gerät ist nur für den Hausgebrauch konzipiert. Nicht im Freien verwenden.
7. Das Mikrowellengerät nicht bei hoher Luftfeuchtigkeit benutzen.
8. Das Netzanschlußkabel darf die Gerätegehäuseoberfläche nicht berühren, da diese während des Betriebes heiß wird. Das Kabel auch nicht mit anderen heißen Oberflächen in Berührung bringen. Das Netzanschlußkabel nicht über Tisch- oder Thekenkanten hängen lassen. Das Kabel oder den Netzstecker nicht in Wasser tauchen.
9. Die Lüftungsöffnungen auf der Ober- und Rückseite des Gehäuses nicht verdecken. Sind diese Öffnungen blockiert während das Gerät arbeitet, kann es überhitzen. In diesem Fall wird das Gerät durch den Überhitzungsschutz ausgeschaltet und kann erst wieder in Betrieb gesetzt werden, wenn es abgekühlt ist.
10. Dieses Gerät ist nicht für den Betrieb mittels einer externen Zeitschaltuhr oder eines getrennten Fernbedienungssystems ausgelegt.

Aufstellen und Anschließen

WARNUNG

Wichtige Sicherheitshinweise

1. Die Türverriegelungen und die Türdichtungen sollten mit einem feuchten Tuch abgewischt werden. Das Gerät ist vom Benutzer auf mögliche Beschädigungen an den Türdichtungsflächen zu prüfen, und falls ein solcher Schaden aufgetreten ist, darf das Gerät nicht betrieben werden, bevor es vom Panasonic-Kundendienst repariert worden ist.
2. Führen Sie weder eine Manipulation oder Reparatur an der Tür, an den Kontroll-einrichtungen oder Sicherheitsvorrichtungen noch an irgendeinem anderen Teil des Gerätes durch. In keinem Fall das Gehäuse, das den Schutz gegen Strahlenbelastung durch Mikrowellenenergie sicherstellt, abbauen. Das Gerät darf nur von einem geschulten Panasonic Kundendienst-Techniker geprüft oder repariert werden.
3. Das Gerät nicht in Betrieb setzen, wenn das Netzanschlußkabel oder der Netzstecker beschädigt ist, bzw. wenn es nicht ordnungsgemäß arbeitet oder eine sichtbare Beschädigung aufweist.
4. Aus Sicherheitsgründen muß ein beschädigtes Anschlußkabel durch den Hersteller, seinen Kundendienst oder eine andere gleichwertig qualifizierte Person ersetzt werden.
5. Kindern darf die Benutzung des Gerätes ohne Aufsicht nur erlaubt werden, wenn eine ausreichende Einweisung gegeben wurde, die das Kind in die Lage versetzt, das Gerät in sicherer Weise bedienen und die Gefahr einer falschen Bedienung verstehen zu können.
6. Keine Flüssigkeiten und Nahrungsmittel in versiegelten Behältern (z.B. Konserven) erhitzen, da diese platzen können.
7. Dieses Gerät ist nicht zur Benutzung durch Personen (einschließlich Kindern) mit verminderten körperlichen, sensorischen oder geistigen Fähigkeiten oder mangelnder Erfahrung oder Kenntnis gedacht, es sei denn, sie werden durch eine für ihre Sicherheit verantwortliche Person in die Benutzung des Gerätes eingewiesen oder von einer solchen Person beaufsichtigt. Kinder sollten beaufsichtigt werden, um sicherzustellen, dass sie nicht mit dem Gerät spielen.

Sicherheitshinweise

Gebrauch und Ausstattung des Gerätes

1. Das Mikrowellengerät nur zur Nahrungsmittelzubereitung benutzen. Dieses Gerät ist speziell zum Auftauen, Erwärmen und Garen von Lebensmitteln entsprechend der Bedienungs- und Kochanleitung konzipiert. Erhitzen Sie in keinem Fall Chemikalien oder andere Produkte.
2. Prüfen Sie vor der ersten Benutzung Ihres Geschirrs, ob es für den Gebrauch im Mikrowellengerät geeignet ist.
3. Bitte versuchen Sie nicht, Kleidungsstücke, Zeitungen oder andere Materialien im Mikrowellengerät zu trocknen. Diese Gegenstände können sich entzünden.
4. Im Garraum des Mikrowellengerätes dürfen keine Gegenstände aufbewahrt werden, die bei unbeabsichtigtem Einschalten des Gerätes eine Gefahr für die Umgebung darstellen.
5. Nehmen Sie das MIKROWELLENGERÄT NIE OHNE LEBENSMITTEL in Betrieb. Dies kann zu Beschädigungen des Gerätes führen.
6. Kommt es zu einem Brand oder tritt während des Mikrowellenbetriebs Rauch aus dem Gerät, halten Sie die Gerätetür geschlossen. Schalten Sie das Mikrowellengerät ab, indem Sie den DREHSCHALTER FÜR DIE ZEITEINGABE auf Null stellen. Ziehen Sie den Netzstecker aus der Steckdose oder schalten Sie die Installationssicherung aus.

Garraumbelüftung

Wenn es nötig wird die eingebaute Garraumbelüftung zu wechseln, wenden Sie sich bitte an Ihren Händler.

Zubehör

Das Mikrowellengerät ist mit unterschiedlichem Zubehör ausgestattet. Verwenden Sie dieses bitte laut Anweisung.

Glasdrehteller

1. Lassen Sie das Gerät nicht ohne Rollenring und Glasteller laufen.
2. Benutzen Sie in keinem Fall einen anderen als den speziell für dieses Gerät konzipierten Glasdrehteller.
3. Den evtl. heißen Glasdrehteller abkühlen lassen, bevor Sie diesen reinigen bzw. mit Wasser abspülen.
4. Der Drehteller kann rechts- oder linksherum laufen. Dies stellt keine Fehlfunktion dar.
5. Berührt das Lebensmittel bzw. Kochgeschirr die Garraumwände, läuft der Drehteller nicht weiter, sondern stoppt und beginnt, sich in die entgegengesetzte Richtung zu drehen.
6. Das Lebensmittel nicht direkt auf dem Glasdrehteller auftauen, erwärmen oder garen.

Rollenring

1. Der Rollenring und der Boden des Geräts sollten häufig gereinigt werden, um eine Geräuschentwicklung und Ansammlung von Speiserückständen zu vermeiden.
2. Beim Garvorgang muss immer der Rollenring zusammen mit dem Glasteller verwendet werden.

Wichtige Informationen

1. Kochzeiten

Die Kochzeit ist abhängig von Beschaffenheit, Ausgangstemperatur und Menge des Lebensmittels sowie von der Art des verwendeten Kochgeschirrs.

Gehen Sie zunächst von einer kürzeren Kochzeit aus, um ein Übergaren der Speisen zu vermeiden. Hat das Lebensmittel noch nicht den gewünschten Auftau-, Erwärmungs- oder Garzustand erreicht, haben Sie immer noch die Möglichkeit, die Garzeit zu verlängern.

Wird die empfohlene Kochzeit überschritten, kann das Lebensmittel leicht verbrennen und ggf. einen Brand auslösen und somit den Garraum zerstören.

2. Geringe Lebensmittelmengen

Sehr kleine Lebensmittelmengen oder Speisen mit geringem Feuchtigkeitsgehalt können schnell austrocknen und verbrennen, wenn sie zu lange gegart werden. Kommt es zu einem Brand, die Tür des Mikrowellengerätes geschlossen halten, das Gerät abschalten und den Netzstecker aus der Steckdose ziehen.

3. Eier

Weder rohe, gekochte Eier mit Schale noch gepellte hartgekochte Eier mit Mikrowellen erhitzen oder kochen. Nach Ende des Mikrowellen-Kochvorgangs kann sich noch weiterhin Druck bilden und die Eier können explodieren.

4. Lebensmittel mit Schale oder Haut

Bei Lebensmitteln wie z.B. Kartoffeln und Würstchen empfiehlt es sich, sie vorher anzustechen, um ein evtl. Platzen zu vermeiden.

5. Speisethermometer

Falls Sie den Garzustand mit einem Speisethermometer überprüfen wollen, verwenden Sie bitte keine herkömmlichen Thermometer im Mikrowellengerät. Diese können Funken verursachen. Benutzen Sie diese Speisethermometer nur außerhalb des Mikrowellengerätes.

6. Flüssigkeiten

Beim Erhitzen von Flüssigkeiten im Mikrowellengerät kann durch kurzfristiges Aufkochen (Siedeverzug) die Flüssigkeit im Gerät oder bei der Entnahme schlagartig verdampfen und explosionsartig aus dem Gefäß geschleudert werden. Dies kann zu Verbrennungen führen.

Sie vermeiden einen Siedeverzug, indem Sie

beim Erhitzen von Flüssigkeiten in Gläsern oder Tassen immer ein hitzebeständiges Glasstäbchen mithineinstellen oder größere Gefäße mit einem Deckel bzw. Teller abdecken.

Zusätzlich sollten Sie folgende Punkte beachten:

- a. Vermeiden Sie die Verwendung von geraden Gefäßen mit engem Ausguß.
- b. Überhitzen Sie die Flüssigkeit nicht.
- c. Rühren Sie die Flüssigkeit einmal um, bevor Sie das Gefäß ins Gerät stellen sowie nochmals nach der halben Kochzeit.
- d. Lassen Sie nach Ablauf der Kochzeit das Gefäß kurze Zeit im Gerät stehen, bevor Sie es herausnehmen. Rühren Sie die Flüssigkeit anschließend noch einmal um.

7. Papier und Plastik

Wenn Behälter aus Papier, Kunststoff oder anderen leicht entflammbaren Materialien zum Erwärmen benutzt werden, darf das Mikrowellengerät nicht unbeaufsichtigt betrieben werden. Diese Behälter können sich entzünden.

Verwenden Sie keine recycelten Papierprodukte (z. B. Küchenrollen), die nicht ausschließlich für die Benutzung im Mikrowellengerät geeignet sind. In Recyclingpapier können Bestandteile sein, die Funkenbildung oder einen Brand verursachen.

Entfernen Sie Metallverschlüsse von Bratfolien, bevor Sie diese ins Gerät stellen.

8. Hilfsmittel und Folien

Erhitzen Sie keine geschlossenen Flaschen oder Konserven im Mikrowellengerät, da diese durch den Druck explodieren können.

Verwenden Sie während des Mikrowellenbetriebes weder Geschirr aus Metall noch Geschirr mit Metallrand.

Bei Benutzung von Alufolie, Metallspießen oder anderen Metallwaren darauf achten, daß sie mindestens 2 cm von der Gerätewand entfernt sind, um Funkenbildung zu vermeiden.

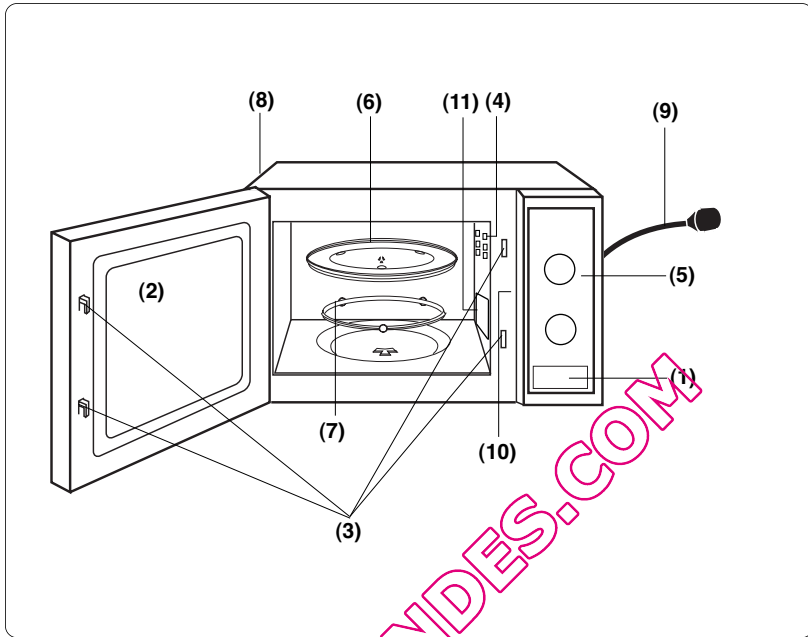
9. Babynahrung

Benutzen Sie nur Fläschchen oder Glasformen aus hochwertigem hitzebeständigen Materialen und plazieren Sie diese ohne Deckel in der Mitte des Drehtellers.

Nach dem Erhitzen sollte die Babynahrung in Fläschchen oder Gläsern gut geschüttelt bzw. durchgerührt werden, damit ein Temperaturausgleich stattfinden kann.

Überprüfen Sie die Temperatur vor dem Verzehr, um Verbrennungen zu vermeiden.

Schematische Ansicht



(1) Türöffnungstaste

Drücken Sie diese Taste, um die Tür zu öffnen. Durch Öffnen der Tür während des Garvorgangs wird der Betrieb unterbrochen, das Programm bleibt erhalten. Nehmen den Betrieb wieder auf, sobald die Tür geschlossen wird.

(2) Sichtfenster

(3) Türsicherheitsverriegelungen

(4) Innerer Entlüftungsschlitz

(5) Bedienfeld

(6) Glasdrehsteller

(7) Rollenring

(8) Äußere Entlüftungsschlitze

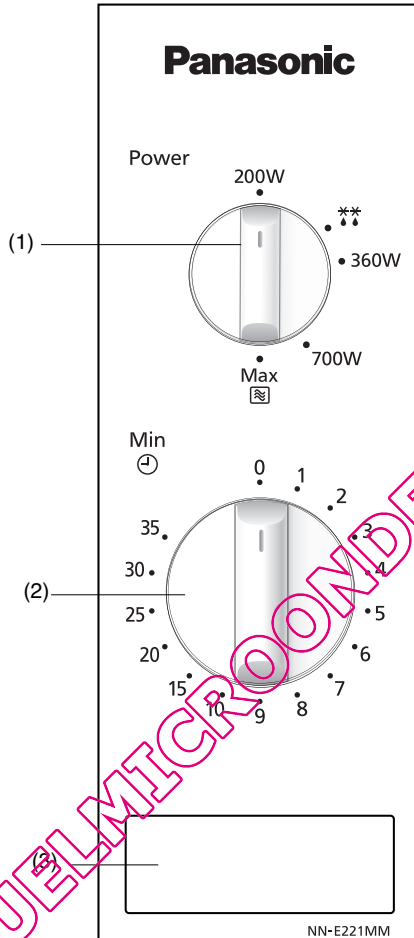
(9) Stromkabel

(10) Kennzeichnungsaufkleber

(11) Mikrowellenzuführung (bitte nicht entfernen)

Bedienfeld

NN-E201WM / NN-E221MM *

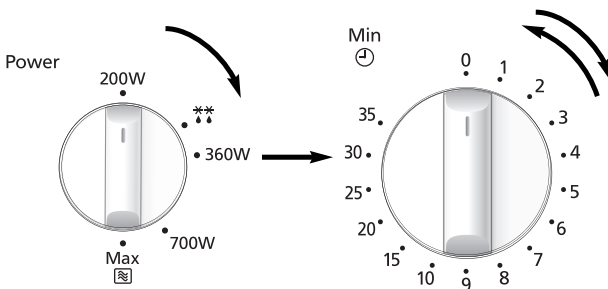


- (1) Drehschalter zur Wahl der Mikrowellenleistungsstufe / Auftaubetrieb
- (2) Drehschalter für Zeiteingabe
- (3) Türöffnungstaste

*Das Bedienfeld Ihres Mikrowellengerätes kann sich von dem hier gezeigten unterscheiden (abhängig von der Farbe); die Funktion der Tasten ist jedoch gleich.

Mikrowellenbetrieb

Wattleistung	
Max/Garen	800 Watts
Medium/Erwärmen	700 Watts
Niedrig/Fertigkochen	360 Watts
Auftaubetrieb	270 Watts
Ausquellen	200 Watts



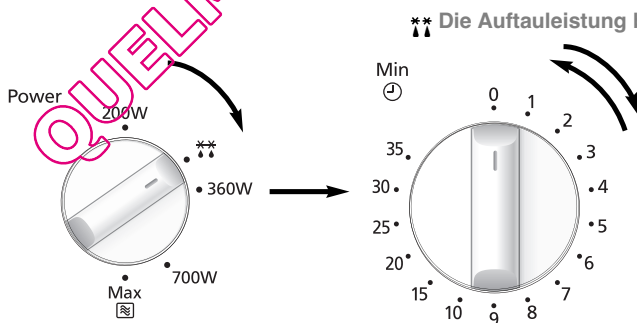
• Stellen Sie den Drehschalter auf die gewünschte Mikrowellenleistungsstufe.

• Stellen Sie mit dem Drehschalter für die Zeiteingabe die gewünschte Zeit ein. Wenn die Tür geschlossen ist, nimmt das Gerät den Betrieb sofort auf. Bei kürzeren Kochzeiten stellen Sie den Schalter zunächst auf 2 Minuten und dann wieder zurück auf die gewünschte Zeit.

Anmerkungen:

1. Wenn Sie die Speise während des Garvorgangs überprüfen wollen, öffnen Sie einfach die Tür. Dadurch wird der Garvorgang unterbrochen. Um den Garvorgang fortzusetzen, schließen Sie die Tür wieder.
2. Um den Garvorgang zu beenden, stellen Sie den Drehschalter für die Zeiteingabe zurück auf die Nullposition. Sie können die Garzeit während des Gerätebetriebs jederzeit verändern, indem Sie den Drehschalter für die Zeiteingabe betätigen und die Zeit entsprechend verlängern bzw. verkürzen.
3. Nach jedem Gebrauch des Gerätes unbedingt den Drehschalter für die Zeiteingabe auf die Nullposition zurückstellen.
4. Vor Gebrauch des Gerätes vergewissern, daß der Glasdreheller in der richtigen Position ist.

Auftaubetrieb

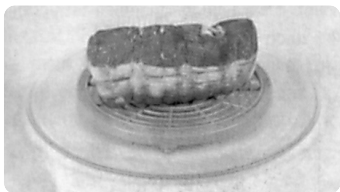


• Wählen Sie mit dem Drehschalter für die Mikrowellenleistungsstufen den Auftaubetrieb.

• Stellen Sie mit dem Drehschalter für die Zeiteingabe die gewünschte Auftauleistung ein. Wenn die Tür geschlossen ist, nimmt das Gerät den Betrieb sofort auf. Bei kürzeren Kochzeiten stellen Sie den Schalter zunächst auf 2 Minuten und dann wieder zurück auf die gewünschte Zeit.

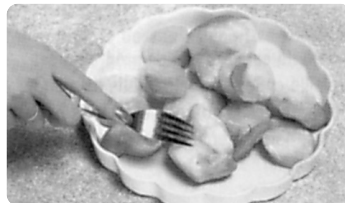
Hinweise zum Auftauen

Tips zum Auftauen



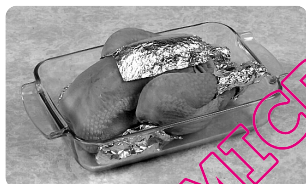
Standzeit

Einzelne Nahrungsmittelportionen können fast unverzüglich nach dem Auftauen gegart werden. Es ist normal, daß größere Portionen in der Mitte noch gefroren sind. Vor dem Garen bitte **mindestens eine Stunde stehen lassen**. Während dieser Standzeit verteilt sich die Temperatur gleichmäßig und das Nahrungsmittel wird durch Wärmeleitung aufgetaut. Falls das Nahrungsmittel nicht sofort weiterverarbeitet wird, sollten Sie es im Kühlschrank aufbewahren. Niemals aufgetaute Lebensmittel wieder einfrieren bevor sie nicht gekocht wurden.



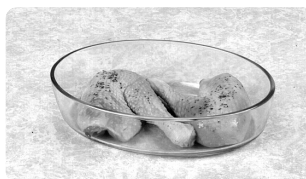
Hackfleisch, gewürfelte fleischstücke oder Fisch

Da die Außenseite dieser Lebensmittel schnell auftaut, ist es notwendig, die Teile während des Auftauvorgangs regelmäßig auseinanderzuberechnen und aufgetaute Stücke aus der Mikrowelle zu entfernen.



Braten und Geflügel

Vorzugsweise sollten Braten auf einen umgedrehten Teller oder ein Kunststoffgestell gelegt werden, sodaß sie nicht im Saft liegen. Es ist äußerst wichtig, daß empfindliche oder herausstehende Teile der Lebensmittel mit kleinen Stücken Alufolie geschützt werden, damit sie nicht garen. Es ist ungefährlich, kleine Stücke Alufolie im Ofen zu verwenden, vorausgesetzt **sie kommen mit den Garraumwänden nicht in Kontakt**.



Kleine portionen / fleischteile

Kleine Fleischteile wie Koteletts und Hühnerteile müssen so schnell wie möglich voneinander gelöst werden, damit sie gleichmäßig auftauen. Fettsreiche Stellen und Enden tauen schneller auf. Platzieren Sie diese daher nahe der Mitte des Drehtellers oder decken Sie sie ab.

Brot

Ganze Brote benötigen eine Standzeit, damit der Kern auftauen kann. Sie können die Standzeit verringern, indem Sie Scheiben voneinander trennen und Brötchen und ganze Brote in Hälften schneiden.

Fragen und Antworten

F: Warum läßt sich das Mikrowellengerät nicht einschalten?

A: Läßt sich das Mikrowellengerät nicht einschalten, dann überprüfen Sie bitte folgendes:

1. Steckt der Netzstecker fest in der Steckdose? Ziehen Sie den Stecker aus der Steckdose und warten Sie 10 Sekunden, bevor Sie diesen wieder hineinstecken.

2. Überprüfen Sie die Netzsicherung und ersetzen Sie diese gegebenenfalls.

3. Ist die Netzsicherung in Ordnung, schließen Sie ein anderes Elektrogerät an die Steckdose an. Arbeitet dieses Gerät auch nicht, ist die Steckdose defekt, Arbeitet das Gerät jedoch ordnungsgemäß, ist wahrscheinlich Ihr Mikrowellengerät defekt. Wenden Sie sich in diesem Fall unbedingt an einen Panasonic-Kundendienst.

F: Das Mikrowellengerät verursacht Fernsehstörungen. Ist das normal?

A: Beim Betrieb des Mikrowellengerätes können Fernseh- und Radiostörungen auftreten. Es handelt sich um ähnliche Störungen, wie sie durch kleine Elektrogeräte wie Mixer, Staubsauger, Haartrockner usw. verursacht werden können. Dies bedeutet nicht, daß Ihr Mikrowellengerät defekt ist.

F: Warum wird die Garraumbeleuchtung dunkler?

A: Um eine niedrigere Leistungsstufe als 800W (maximale Leistung) zu erreichen, arbeitet das Gerät zyklisch. Dadurch wird ggf. die Garraumbeleuchtung dunkler und Sie hören Klickgeräusche.

F: Warum strömt manchmal warme Luft aus dem Mikrowellengerät?

A: Die erhitzten Lebensmittel erwärmen den Garraum. Diese warme Luft wird durch die zirkulierende Luftströmung aus dem Gerät heraus befördert. In dieser erwärmten Luft sind keine Mikrowellen enthalten. Die Lüftungsöffnungen dürfen während des Garens in keinem Fall abgedeckt werden.

Pflege des Mikrowellengerätes

1. Vor dem Reinigen den Netzstecker aus der Steckdose ziehen.
2. Halten Sie stets den Garraum, die Tür und den Türrahmen sauber. Entfernen Sie Spritzer von Speisen und Flüssigkeiten, die an den Garraumwänden und der Tür haften, mit einem feuchten Tuch und ggf. mildem Reinigungsmittel. Scharfe Reinigungs- und Scheuermittel sind nicht empfehlenswert. **VERWENDEN SIE IN KEINEM FALL BACKOFENREINIGUNGSMITTEL.**
3. Das Gehäuse des Gerätes sollte mit einem weichen Tuch abgewischt werden. Achten Sie darauf, daß kein Wasser durch die Entlüftungsschlitze ins Geräteinnere gelangt, da das Gerät sonst Schaden nehmen könnte.
4. Ist das Bedienungsfeld verschmutzt, säubern Sie dieses mit einem trockenen, weichen Tuch. Verwenden Sie in keinem Fall scharfe Reinigungs- bzw. Scheuermittel. Damit es nicht zu einem unvorhergesehenen Betrieb des Gerätes kommt, lassen Sie die Tür des Gerätes beim Säubern geöffnet. Setzen Sie nach dem Säubern den Drehschalter für die Zeiteingabe auf Null.
5. Während des Betriebes kann sich durch Verdampfen von Feuchtigkeit innen oder außen auf dem Sichtfenster des Gerätes Kondenswasser niederschlagen und evtl. unter der Tür abtropfen. Dieser Vorgang ist normal und kann verstärkt bei niedrigen Raumtemperaturen und hoher Luftfeuchtigkeit auftreten. Die Sicherheit des Gerätes ist dadurch nicht beeinträchtigt. Nach dem Betrieb das Kondenswasser mit einem weichen Tuch abwischen.
6. Den Glasdrehsteller herausnehmen und abkühlen lassen, bevor Sie diesen in warmem Seifenwasser oder in der Spülmaschine reinigen.
7. Der Rollenring und der Boden des Geräteinneren sollten regelmäßig gereinigt werden, um eine übermäßige Geräuscentwicklung zu vermeiden. Wischen Sie die Bodenfläche des Geräts einfach mit einem milden Reinigungsmittel und heißem Wasser ab und trocknen Sie sie mit einem sauberen Tuch. Der Rollenring kann in Wasser mit einem milden Spülmittel abgewaschen werden. Bei wiederholtem Gebrauch sammeln sich Kochdünste an; dies beeinträchtigt jedoch weder die Bodenfläche, noch die Räder des Rollenrings. Achten Sie darauf, den Rollenring wieder in die richtige Position zu bringen, nachdem Sie ihn zur Reinigung aus dem Geräteinneren genommen haben.
8. Das Mikrowellengerät darf ausschließlich vom qualifizierten Panasonic-Kundendienst geprüft oder repariert werden.
9. Ein Dampfreiniger darf nicht zur Reinigung verwendet werden.
10. Wird das Mikrowellengerät nicht in einem sauberen Zustand gehalten, kann dies zu einer Güteminderung der Oberflächen führen, was wiederum eine Beeinträchtigung der Lebensdauer des Geräts mit sich bringen und eventuell eine Gefahr für den Benutzer darstellen kann.
11. Die Luftabzüge immer freihalten. Überprüfen Sie, dass die Luftabzüge an der Ober-, Unter- und Rückseite des Geräts nicht durch Staub oder anderes Material verstopft werden. Wenn die Luftabzüge verstopft sind, kann dies zu Überhitzung führen und die Funktionsfähigkeit des Geräts beeinträchtigen.
12. Benutzen Sie keine aggressiven Reinigungsmittel oder scharfe Metallspachtel, um die Glastür des Geräts zu reinigen – sie könnten die Oberfläche zerkratzen und zu einem Zerspringen des Glases führen.

Technische Daten

Netzspannung:	230 V ~ 50 Hz	
Leistungsaufnahme:	Mikrowelle;	1250 W
Ausgangsleistung:	Mikrowelle;	800 W (IEC-60705)
Äußere Abmessungen:		443(B) x 340(T) x 258(H) mm
Garraumabmessungen:		306(B) x 308(T) x 215(H) mm
Gewicht:		10.5 kg
Geräusch:		46dB

Die Angaben sind Annäherungswerte; Änderungen ohne Vorankündigung sind vorbehalten.

Bei diesem Produkt handelt es sich um ein Gerät, das die europäische Norm für EMV-Funkstörungen (EMV = Elektromagnetische Verträglichkeit), EN 55011, erfüllt. Gemäß dieser Norm ist dieses Produkt ein Gerät der Gruppe 2, Klasse B und hält alle Grenzwerte ein. Gruppe 2 bedeutet, dass in diesem Gerät Hochfrequenz-Energie für das Erwärmen oder Garen von Lebensmitteln absichtlich als elektromagnetische Strahlung erzeugt wird. Klasse B sagt aus, dass dieses Produkt in einem normalen Wohnbereich betrieben werden darf.



Benutzerinformationen zur Entsorgung von elektrischen und elektronischen Geräten (private Haushalte)

Entsprechend der grundlegenden Firmengrundsätze der Panasonic-Gruppe wurde ihr Produkt aus hochwertigen Materialien und Komponenten entwickelt und hergestellt, die recycelbar und wieder verwendbar sind.

Dieses Symbol auf Produkten und/oder begleitenden Dokumenten bedeutet, dass elektrische und elektronische Produkte am Ende ihrer Lebensdauer vom Hausmüll getrennt entsorgt werden müssen.

Bringen Sie bitte diese Produkte für die Behandlung, Rohstoffrückgewinnung und Recycling zu den eingerichteten kommunalen Sammelstellen bzw. Wertstoffsammelhöfen, die diese Geräte kostenlos entgegennehmen.

Die ordnungsgemäße Entsorgung dieses Produktes dient dem Umweltschutz und verhindert mögliche schädliche Auswirkungen auf Mensch und Umwelt, die sich aus einer unsachgemäßen Handhabung der Geräte am Ende Ihrer Lebensdauer ergeben könnten.

Genauere Informationen zur nächstgelegenen Sammelstelle bzw. Recyclinghof erhalten Sie bei Ihrer Gemeindeverwaltung.

Für Geschäftskunden in der Europäischen Union

Bitte treten Sie mit Ihrem Händler oder Lieferanten in Kontakt, wenn Sie elektrische und elektronische Geräte entsorgen möchten. Er hält weitere Informationen für sie bereit.

Informationen zur Entsorgung in Ländern außerhalb der Europäischen Union

Dieses Symbol ist nur in der Europäischen Union gültig.

Gemäß EMV-Richtlinie 2004/108/EG, Artikel 9, Absatz 2:

Panasonic Testing Centre

Panasonic Service Europe, ein Bereich von Panasonic Marketing Europe GmbH

Winsbergring 15, 22525 Hamburg, Deutschland

Hergestellt von GMMEAM für die Panasonic Corporation

No. 6 Yong An RD, Beijiao, Shunde, Foshan, Guangdong, Volksrepublik China.

QUELMICROONDES.COM

Installation et raccordement

Vérifiez l'état du four à micro-ondes

Déballiez le four et débarrassez-le de l'ensemble du matériel d'emballage. Examinez soigneusement l'appareil afin de détecter toute déformation, défautuosité du système de fermeture de la porte ou défaut au niveau de la porte elle-même. Prévenez immédiatement votre revendeur si l'appareil est endommagé. N'installez pas un four à micro-ondes abîmé.

Instructions pour la mise à la terre

IMPORTANT: POUR VOTRE SÉCURITÉ, IL EST TRÈS IMPORTANT QUE CET APPAREIL SOIT CORRECTEMENT MIS À LA TERRE.

Si la prise murale n'est pas mise à la terre, le client se doit de la faire remplacer par une prise murale correctement mise à la terre.

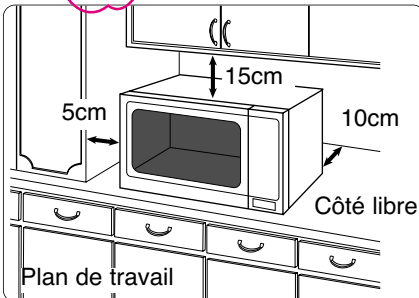
Précaution concernant la tension d'alimentation:

Utiliser une tension identique à celle spécifiée sur le four micro-ondes. Si on utilise une tension supérieure à celle indiquée, l'appareil risque de prendre feu ou d'être endommagé d'une autre manière. De même, si la tension est inférieure, votre appareil sera moins performant. Votre appareil doit être protégé par un fusible de 10 ampères.

Emplacement du four

Ce four est prévu pour être posé sur un plan de travail. Il n'est pas conçu pour être intégré ou utilisé à l'intérieur d'un élément de cuisine.

1. Placez le four sur une surface plane et stable, à plus de 85 cm du sol.
2. Une fois le four installé, il faut pouvoir facilement couper son alimentation électrique, soit en retirant la prise murale soit en actionnant un disjoncteur ou un fusible.



3. Afin de garantir une utilisation optimale du four, veillez à ce qu'il soit suffisamment ventilé.

Si vous placez l'appareil sur un plan de travail:

- a. Laissez un espace de 15 cm en haut du four, de 10 cm à l'arrière, de 5 cm d'un côté du four et d'au moins 40 cm de l'autre côté.
 - b. Si vous placez le four contre le mur, veillez à ce que l'autre côté ou le dessus du four soit totalement libre.
4. Ne placez pas le four à proximité d'une cuisinière au gaz ou électrique ni d'un évier.
 5. Ne retirez pas les pieds du four.
 6. Ce four est destiné uniquement à un usage domestique. Ne l'utilisez pas à l'extérieur.
 7. N'utilisez pas le four dans une pièce dont le taux d'humidité est très élevé.
 8. Évitez tout contact entre le cordon d'alimentation et l'extérieur de l'appareil et éloignez-le de toute surface chaude. Ne le laissez pas pendre sur le bord d'une table ou d'un plan de travail. Évitez de mouiller le cordon d'alimentation, la prise ou le four.
 9. N'obstruez pas les ouvertures d'aération situées en haut et à l'arrière du four de manière à éviter toute surchauffe du four. Un dispositif thermique de sécurité protège le four en cas de surchauffe. S'il s'enclenche, le four ne pourra fonctionner à nouveau qu'après refroidissement.
 10. Cet appareil n'est pas destiné à fonctionner au moyen d'un minuteur externe ou d'une télécommande séparée.

Installation et raccordement

Avertissement

Consignes de sécurité importantes

1. Nettoyez les joints d'étanchéité de la porte à l'aide d'un linge humide.

Vérifiez si l'appareil ne présente pas de défaut au niveau des joints d'étanchéité. Si c'est le cas, ne l'utilisez plus avant que ceux-ci aient été réparés par un technicien agréé par le fabricant.

2. Ne tentez jamais de modifier, d'ajuster ou de réparer la porte, le boîtier du panneau de commandes, les commutateurs de verrouillage de sécurité ou tout autre élément du four. Ne retirez pas le panneau arrière du four, car il sert de protection contre les micro-ondes émises par le four.

Confiez exclusivement les réparations à du personnel qualifié.

3. N'utilisez pas l'appareil si la PRISE ou le CORDON D'ALIMENTATION est endommagé, s'il ne fonctionne pas correctement, s'il est abîmé ou s'il est tombé. Il est dangereux de confier la réparation de l'appareil à une personne autre qu'un technicien formé par le fabricant.

4. Si le cordon d'alimentation est endommagé, il doit impérativement être remplacé par le fabricant ou un technicien formé par le fabricant.

5. Il ne faut laisser les enfants utiliser le four qu'à la seule condition qu'ils en connaissent le fonctionnement et soient à même de comprendre les dangers d'une utilisation inappropriée.

6. Les aliments et les liquides ne doivent pas être chauffés dans des récipients fermés hermétiquement car ceux-ci risquent d'exploser.

7. Cet appareil ne doit pas être utilisé par des personnes dont les facultés mentales, physiques ou sensorielles sont réduites, ni par des personnes manquant d'expérience ou de connaissances, sauf si une personne responsable de leur sécurité est présente ou leur a donné les consignes nécessaires.

Les enfants doivent être surveillés pour veiller à ce qu'ils ne jouent pas avec l'appareil.

QUELMICROON®

Consignes de sécurité

Utilisation du four

1. Utilisez le four exclusivement à des fins culinaires. Ce four est spécialement conçu pour réchauffer ou cuire des aliments. Ne l'utilisez pas pour réchauffer des produits chimiques ou tout autre produit non alimentaire.
2. Vérifiez si les ustensiles et les plats utilisés conviennent aux fours à micro-ondes.
3. Ne tentez pas de sécher des journaux, des vêtements ou tout autre matériau dans votre four à micro-ondes, car ceux-ci pourraient s'enflammer.
4. Ne placez dans le four aucun objet autre que ses accessoires et ce même si vous ne l'utilisez pas, car celui-ci pourrait être fortuitement mis en route.
5. N'utilisez jamais le four **SANS Y PLACER PREALABLEMENT DES ALIMENTS**. Sinon vous risquez d'endommager l'appareil.
6. En cas de début d'incendie à l'intérieur du four, ramener **LE SÉLECTEUR DE DURÉE** à zéro et maintenir la porte du four fermée. Débrancher le cordon d'alimentation ou couper l'alimentation au niveau du fusible ou du disjoncteur.

Lampe du four

Si vous devez remplacer la lampe du four, adressez-vous à votre revendeur.

Accessoires

Le four est fourni avec toute une série d'accessoires. Utilisez-les toujours conformément aux instructions.

Plateau tournant en verre

1. N'utilisez pas le four sans l'anneau tournant et le plateau en verre en place.
2. N'utilisez jamais un autre plateau tournant en verre que celui spécialement conçu pour votre four.
3. Si le plateau tournant en verre est chaud, attendez qu'il refroidisse pour le nettoyer ou le plonger dans l'eau.
4. Le plateau tournant en verre peut pivoter dans les deux sens.
5. Si les aliments ou le plat disposés sur le plateau tournant en verre touchent les parois du four et l'empêchent de tourner, celui-ci pivote automatiquement dans la direction inverse. C'est normal.
6. Ne cuisez pas d'aliments à même le plateau tournant en verre.

Anneau tournant

1. L'anneau tournant et la sole du four devraient être nettoyés fréquemment pour éviter le bruit et l'accumulation d'aliments.
2. L'anneau tournant doit toujours être utilisé avec le plateau en verre pour la cuisson.

Informations importantes

1. Temps de cuisson

Ils dépendent des conditions, de la température, de la quantité de nourriture ainsi que du type de récipient utilisé.

Commencez toujours par le temps de cuisson minimum: si un plat n'est pas assez cuit, vous pourrez toujours le remettre dans le four pour terminer la cuisson.

Note: Il vaut mieux éviter la surcuisson. Les aliments n'attachent pas mais peuvent brûler, se dessécher et même dans des cas extrêmes, prendre feu et endommager votre four.

2. Petites quantités de nourriture

Si vous cuisez trop longtemps de petites quantités de nourriture ou des aliments peu riches en eau, ceux-ci peuvent se dessécher, voire brûler ou même prendre feu. Si des aliments s'enflamment, maintenez la porte fermée, arrêtez le four et débranchez le cordon d'alimentation.

3. Œufs

Ne préparez pas des œufs à la coque ou des œufs durs en mode MICRO-ONDES. Ils risquent d'exploser sous l'effet de la pression.

4. Perçer

Les aliments à peau ou enveloppe imperméable tels que les pommes de terre, les jaunes d'œufs et les saucisses doivent être piqués avant d'être cuits dans le four MICRO-ONDES afin d'éviter qu'ils n'éclatent.

5. Thermomètre à viande

Si vous employez un thermomètre à viande pour vérifier la température de cuisson des rôtis et des volailles, ne l'utilisez qu'une fois ces derniers sortis du four.

6. Liquides

Si on chauffe un liquide qui n'a pas été remué, il risque de déborder et d'occasionner des projections brûlantes pendant et après le réchauffage. Pour éviter cet inconvénient, évitez d'utiliser des récipients à bords droits et cols étroits, sortir plusieurs fois le liquide du four pendant la cuisson pour le remuer. Après le réchauffage, laissez reposer le liquide un court instant dans le four et remuer soigneusement avant de retirer le récipient du four.

7. Papier/Plastique

Si vous réchauffez des aliments dans des barquettes en plastique ou en papier, surveillez régulièrement la cuisson, car ces matériaux ont tendance à s'enflammer en cas de surchauffe.

N'utilisez aucun papier recyclé (par exemple du papier essuie-tout), sauf s'il est stipulé qu'il convient aux fours à micro-ondes. En effet, les papiers recyclés contiennent des impuretés qui peuvent provoquer des étincelles ou s'enflammer en cours de cuisson.

Avant de placer un sac dans le four, retirez les liens métalliques de fermeture.

8. Ustensiles/Papier aluminium

Ne réchauffez pas des canettes ou des bouteilles fermées, car celles-ci pourraient exploser.

Évitez d'utiliser des récipients et des plats métalliques dans votre four à micro-ondes, car ceux-ci provoqueraient des étincelles.

Si vous utilisez du papier aluminium ou une barquette métallique, la distance entre ces matériaux et les parois du four doit être de 2 cm minimum afin d'éviter les étincelles.

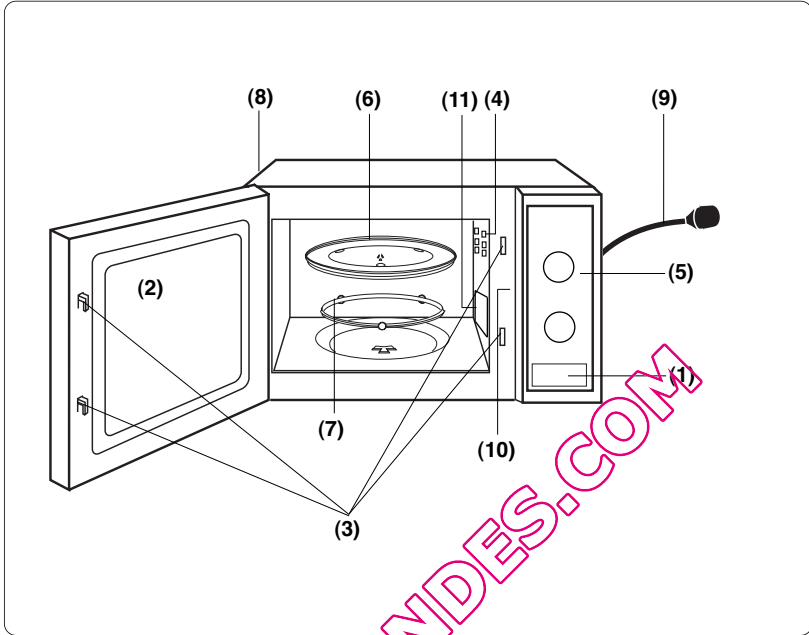
9. Biberons et aliments pour bébés

Enlevez toujours le capuchon, la tétine ou le couvercle des biberons ou des petits pots pour bébés avant de les placer dans le four.

Mélangez ou agitez le contenu des biberons et des petits pots.

Vérifiez toujours la température des aliments avant de les proposer à l'enfant afin d'éviter qu'il se brûle.

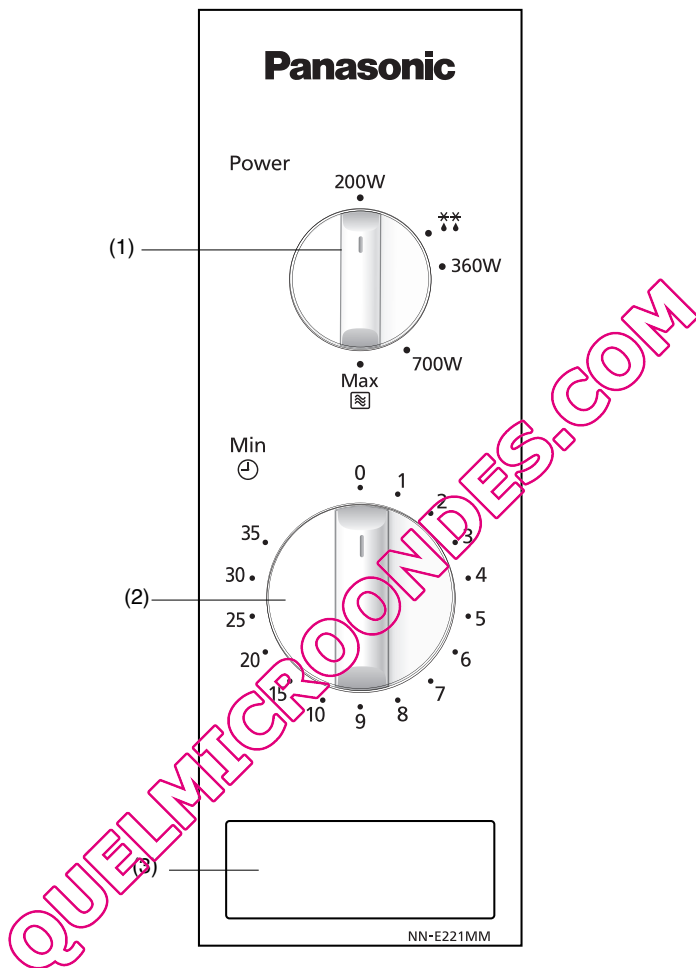
Schéma descriptif



- (1) **Touche d'ouverture de la porte:**
Presser pour ouvrir le four. Si on ouvre la porte du four pendant qu'il est en marche, il s'arrête de fonctionner sans toutefois que la cuisson programmée ne soit annulée. La cuisson reprendra sitôt la porte fermée.
- (2) **Fenêtre du four**
- (3) **Système de verrouillage de sécurité de la porte**
- (4) **Ouvertures d'aération du four**
- (5) **Panneau de commandes**
- (6) **Plateau tournant en verre**
- (7) **Anneau tournant**
- (8) **Ventilation externe du four**
- (9) **Cordon d'alimentation**
- (10) **Étiquette d'identification**
- (11) **Guide d'ondes du micro-ondes (ne pas enlever)**

Le panneau de commandes

NN-E201WM / NN-E221MM *



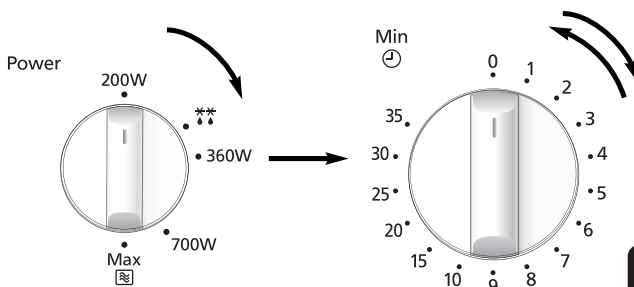
- (1) Sélecteur des puissances micro-ondes ou de la décongélation.
- (2) Sélecteur de durée
- (3) Touche d'ouverture de la porte

***Note :** Le design du panneau de commandes de votre four peut différer légèrement de celui illustré ci-dessus (pour la couleur). Les fonctions sont néanmoins identiques.

La cuisson en micro-ondes

Puissance en Watts

Max	800 Watts
Moyen	700 Watts
Doux	360 Watts
Décongélation	270 Watts
Maintien	200 Watts



• Tourner le sélecteur jusqu'à la puissance désirée.

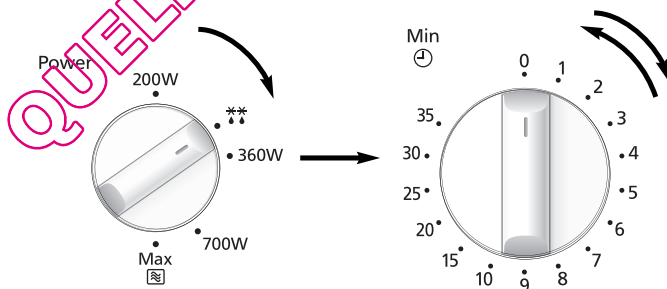
• Sélectionner le temps de cuisson à l'aide du sélecteur de durée. Si la porte est déjà fermée, le plateau tournant se met en mouvement et la cuisson commence. Lorsque vous programmez un temps de cuisson très court, tournez d'office le sélecteur de durée jusqu'à 2 minutes (afin d'en remonter le ressort) puis ramenez-le au temps désiré.

Notes

1. Vous pouvez vérifier l'aliment et sa cuisson en ouvrant simplement la porte. Le four s'arrêtera automatiquement de fonctionner. La cuisson reprendra sitôt la porte refermée.
2. Pour arrêter la cuisson, ramener le sélecteur de durée à zéro. Vous pouvez prolonger la cuisson en cours en tournant simplement le sélecteur de durée sur une durée plus longue.
3. Lorsque l'aliment est retiré en fin de cuisson, vérifiez que le sélecteur de durée soit bien ramené à zéro.
4. Veillez à ce que le plateau tournant en verre soit toujours en place lorsque le four est utilisé.

La décongélation

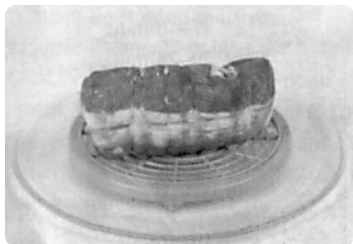
La puissance utilisée en Décongélation ** est de 270 Watts.



• Choisir la puissance Décongélation en tournant le sélecteur.

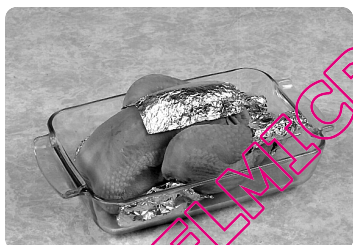
• Choisir la durée de décongélation à l'aide du sélecteur de durée. Si la porte est déjà fermée, le plateau tournant se met en mouvement et la cuisson commence. Lorsque vous programmez un temps de cuisson très court, tournez d'office le sélecteur de durée jusqu'à 2 minutes (afin d'en remonter le ressort) puis ramenez-le au temps désiré.

Conseils pour la décongélation



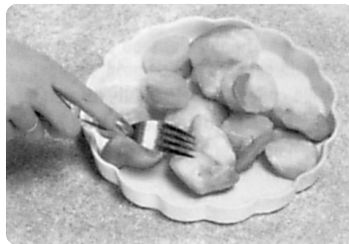
Temps de repos

Les petites pièces peuvent être cuites presque immédiatement après la décongélation. Il est normal que les grosses pièces soient encore congelées au centre. Il faut leur laisser **au minimum une heure** de repos avant de les cuire. Pendant ce temps de repos, la température s'homogénéise et la décongélation se poursuit par conduction. Note : Si l'aliment n'est pas destiné à être cuit immédiatement, le conserver au réfrigérateur. Ne jamais recongeler un aliment décongelé sans le cuire au préalable.



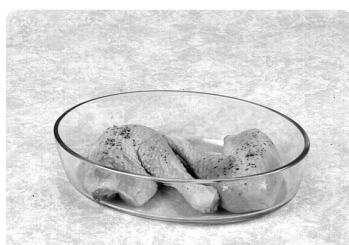
Les rôtis avec os et les volailles entières

Il est préférable de placer les rôtis sur une soucoupe retournée ou bien une passoire en plastique afin qu'ils ne trempent pas dans le liquide d'exsudation. Il est indispensable de protéger les parties fines ou protubérantes de ces aliments avec de petits morceaux de papier aluminium afin d'éviter un début de cuisson de ces parties. Il n'est pas dangereux d'utiliser des petits morceaux de papier aluminium dans votre four, à condition **qu'ils ne touchent pas les parois du four**.



La viande hachée ou en cubes, les petits crustacés

Les parties extérieures de ces aliments décongelant rapidement, il faut les séparer, briser les blocs en morceaux à plusieurs reprises pendant la décongélation et les retirer au four et à mesure qu'ils sont décongelés.



Petites pièces

Les côtelettes et les morceaux de poulet doivent être séparés sitôt que possible pour faciliter une décongélation homogène. Les parties grasses et les extrémités décongèlent plus rapidement. Placez-les vers le centre du plateau ou protégez-les.

Le pain

Les boules et les miches de pain nécessitent un temps de repos pour permettre une décongélation à cœur. Ce temps de repos sera plus court si le pain est coupé en tranches ou même en 2 morceaux.

Questions et réponses

- Q.:** Pourquoi mon four ne fonctionne-t-il pas?
- R.:** Si le four ne fonctionne pas, vérifiez les points suivants :
1. Le four est-il correctement branché ? Débranchez le cordon d'alimentation du four, attendez 10 secondes, puis rebranchez-le.
 2. Vérifiez le disjoncteur et le fusible. Enclenchez de nouveau le disjoncteur ou remplacez le fusible si besoin.
 3. Si tout est normal au niveau du disjoncteur ou du fusible, vérifiez le bon fonctionnement de la prise murale en y branchant un autre appareil électrique. Si cet appareil fonctionne, cela signifie que le problème se situe au niveau du four à micro-ondes. S'il ne fonctionne pas, cela signifie que la prise murale est défectueuse. Si le four à micro-ondes est défectueux, contactez un service d'entretien et de réparation agréé.
- Q.:** Est-il normal que mon four à micro-ondes produise des interférences sur mon récepteur de télévision?
- R.:** Des interférences radio ou TV peuvent se produire si un four à micro-ondes fonctionne à proximité. Ce même type d'interférence se produit lorsqu'on utilise de petits appareils électriques tels qu'un mixeur, un aspirateur, un sèche-cheveux, etc. La présence d'interférences ne signifie donc pas que le four à micro-ondes est défectueux.
- Q.:** Pourquoi l'éclairage intérieur de mon four faiblit-il?
- R.:** Si vous utilisez une puissance autre que la puissance Max (800W), le four doit moduler le courant en impulsions pour régler la puissance sur les niveaux les plus bas. Il en résulte un affaiblissement de l'éclairage intérieur du four ainsi que l'émission de petits bruits secs.
- Q.:** Il arrive parfois que de l'air chaud se dégage par les ouvertures d'aération du four. Pourquoi?
- R.:** La chaleur dégagée par la cuisson des aliments réchauffe l'air contenu dans la cavité du four. Cet air chaud est évacué du four par ventilation. Il n'y a pas de micro-ondes dans ce dégagement d'air. N'obstruez jamais ces aérations en cours de cuisson.

QUELMICTONNDP.COM

Entretien de l'appareil

1. Débranchez l'appareil avant de le nettoyer.
2. Veillez à ce que l'intérieur du four et les joints de la porte soient toujours propres. Enlevez les projections d'aliments ou les éclaboussures présentes sur les parois intérieures du four et sur les joints de la porte à l'aide d'un linge humide. Si le four est très sale, nettoyez-le à l'aide d'un produit de nettoyage non décapant. L'utilisation de détergents puissants ou abrasifs est vivement déconseillée. **NE PAS EMPLOYER DE MOUSSE DECAPANTE POUR FOUR TRADITIONNEL.**
3. Nettoyez les surfaces extérieures du four à l'aide d'un linge humide. Veillez à ce que l'eau ne pénètre pas par les ouvertures d'aération présentes à l'intérieur du four afin de ne pas endommager ses différentes pièces.
4. Nettoyez le panneau de commandes à l'aide d'un linge doux et sec. N'utilisez pas de tampons abrasifs ou de détergents puissants. Lorsque vous nettoyez le panneau de commandes, laissez la porte du four ouverte afin d'éviter tout déclenchement inopiné. Après le nettoyage, ramenez le **SÉLECTEUR DE DURÉE** à zéro.
5. Si de la condensation se forme à l'intérieur ou à l'extérieur de la porte du four, essuyez-la au moyen d'un linge doux. De la condensation peut se former lorsque le four fonctionne dans une pièce très humide. Cela n'est en aucun cas dû à un mauvais fonctionnement de l'appareil.
6. Il est parfois nécessaire de retirer le plateau tournant en verre afin de le nettoyer. Lavez-le à l'eau savonneuse chaude ou dans un lave-vaisselle.
7. L'anneau à roulettes et la sole du four doivent être nettoyés fréquemment pour éviter tout bruit excessif. La sole du four se nettoie simplement à l'eau chaude et au détergent doux. Essuyez-la ensuite avec un torchon propre. L'anneau à roulettes peut être lavé à l'eau savonneuse. Des vapeurs de cuisson s'accumulent en cas d'utilisation intensive, mais n'affectent aucunement la sole du four ou les roulettes de l'anneau à roulettes. Lorsque vous retirez l'anneau à roulettes de la cavité du four pour le nettoyer, n'oubliez pas de le remettre à la bonne position.
8. La maintenance du four ne peut être effectuée que par du personnel qualifié. Pour toute opération de maintenance ou de réparation, adressez-vous à votre revendeur agréé.
9. Ne pas utiliser de nettoyeur-vapeur pour le nettoyage de votre four.
10. Il est indispensable de maintenir propre l'intérieur du four. Le non respect de cette consigne peut entraîner une détérioration notable des revêtements susceptible de réduire la durée de vie de votre appareil et pouvant même présenter un danger.
11. Les ouvertures d'aération ne doivent jamais être obturées. Vérifiez régulièrement qu'elles ne sont pas bouchées par des poussières ou d'autres objets. Si cela se produisait, la surchauffe du four affecterait son fonctionnement et pourrait même présenter un danger.

Fiche technique

Alimentation	230 V ~ 50 Hz	
Puissance d'entrée	Micro-ondes	1250 W
Puissance de sortie	Micro-ondes	800 W (IEC-60705)
Dimensions extérieures		443 (W) x 340 (D) x 258 (H) mm
Dimensions intérieures		306 (W) x 308 (D) x 215 (H) mm
Poids (hors emballage)		10.5 kg
Bruit:		46 dB

Caractéristiques techniques susceptibles d'être modifiées sans avis préalable.

Cet appareil répond aux normes européennes sur les perturbations électromagnétiques EMC (compatibilité électromagnétique) EN 55011. Selon cette norme, cet appareil appartient au groupe 2, de classe B et dans le périmètre requis. L'appartenance au groupe 2 signifie que l'énergie de fréquence radio est intentionnellement émise sous forme d'onde électromagnétique afin de chauffer des aliments. Classe B signifie que ce produit est conforme à une utilisation domestique.

Informations relatives à l'évacuation des déchets, destinées aux utilisateurs d'appareils électriques et électroniques (usage domestique)



Lorsque ce symbole figure sur les produits et/ou les documents qui les accompagnent, cela signifie que les appareils électriques et électroniques ne doivent pas être jetés avec les ordures ménagères.

Pour que ces produits subissent un traitement, une récupération et un recyclage appropriés, envoyez-les dans les points de collecte désignés, où ils peuvent être déposés gratuitement. Dans certains pays, il est possible de renvoyer les produits au revendeur local en cas d'achat d'un produit équivalent. En éliminant correctement ce produit, vous contribuerez à la conservation des ressources vitales et à la prévention des éventuels effets négatifs sur l'environnement et la santé humaine qui pourraient survenir dans le cas contraire.

Afin de connaître le point de collecte le plus proche, veuillez contacter vos autorités locales. Des sanctions peuvent être appliquées en cas d'élimination incorrecte de ces déchets, conformément à la législation en vigueur.

Utilisateurs professionnels de l'Union européenne

Pour en savoir plus sur l'élimination des appareils électriques et électroniques, contactez votre revendeur ou fournisseur.

Informations sur l'évacuation des déchets dans les pays ne faisant pas partie de l'Union européenne

Ce symbole n'est reconnu que dans l'Union européenne.

Pour vous débarrasser de ce produit, veuillez contacter les autorités locales ou votre revendeur afin de connaître la procédure d'élimination à suivre.

Conformément à la directive CEM 2004/108/CE, article 9, par. 2 :

Centre d'essais Panasonic

Panasonic Service Europe, une division de Panasonic Marketing Europe GmbH
Winsbergring 15, 22525 Hambourg, République fédérale d'Allemagne.

Fabriqué pour Panasonic Corporation par GMMEAM

No. 6 Yong An RD, Beijiao, Shunde, Foshan, Guangdong, République populaire de Chine.

QUELMICROONDES.COM

Installazione e connessione del forno alla rete elettrica

Esaminate il vostro forno

Togliere il forno dall'imballaggio, rimuovendo ogni parte dell'imballo, ed esaminarlo per accertare che non vi siano danni quali ammaccature, rotture delle chiusure o incrinature del portello.

Non installare un forno se danneggiato: avvertire subito il vostro rivenditore.

Istruzioni per la messa a terra

IMPORTANTE: PER LA SICUREZZA PERSONALE QUESTO ELETTRODOMESTICO NECESSITA DI UNA CORRETTA MESSA A TERRA.

Se la presa di corrente è priva di messa a terra, è responsabilità e obbligo dell'acquirente sostituirla con una che ne sia fornita.

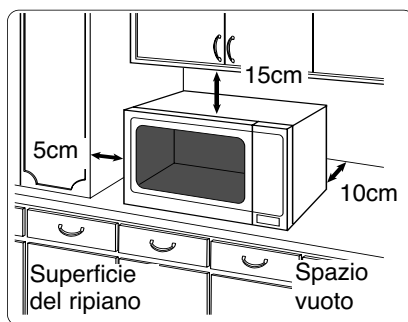
Avvertenze su voltaggio e alimentazione

Il voltaggio usato deve essere quello specificato sul forno. L'uso di un voltaggio più alto di quello indicato è pericoloso e può causare incendi o altri tipi di danni.

Sistemazione del forno

Il forno è progettato per essere utilizzato esclusivamente su un ripiano nei comuni ambienti domestici. Non deve essere incorporato o incassato in altri elementi.

1. Posizionare il forno su una superficie piana e stabile, ad un'altezza di almeno 85 cm da terra.
2. Sistemare il forno in modo che sia facile scollegare l'apparecchio dalla rete elettrica estraendo la spina o agendo su un interruttore generale.
3. Per un funzionamento corretto, assicurarsi che il forno possa disporre di una sufficiente circolazione dell'aria.



Sistemazione su un piano:

- a. Lasciate 15 cm di spazio dalla superficie superiore del forno 10 cm da quella posteriore e 5 cm da una delle pareti laterali, almeno 40 cm dall'altra parete.
 - b. Se un lato del forno è posto rasente ad una parete, l'altro lato o la superficie superiore non deve essere bloccata o aderire ad un'altra superficie.
4. Non posizionare questo forno vicino ad una cucina a gas o elettrica.
 5. Non rimuovere i piedini d'appoggio del forno.
 6. Questo forno è da utilizzare esclusivamente per uso domestico: non utilizzare all'aperto.
 7. Non usare il forno in ambienti molto umidi.
 8. Il cavo di alimentazione non deve toccare le pareti esterne del forno. Esso non deve venire a contatto con superfici calde. Non lasciare il cavo sospeso sopra un tavolo o un piano di lavoro. Non immergere il cavo di alimentazione, la spina o il forno stesso nell'acqua.
 9. Non ostruire le prese d'aria sulla parte superiore e posteriore del forno. Se queste aperture vengono ostruite mentre l'apparecchio è in funzione, il forno si può surriscaldare. Se si verifica questa situazione, l'elettrodomestico, protetto da un dispositivo termico di sicurezza, si disattiva totalmente e si spegne fino a che il forno non si è raffreddato.
 10. Il forno non deve essere utilizzato con timer esterni o telecomandi separati.

Installazione e connessione del forno alla rete elettrica

AVVERTENZE:

Istruzioni importanti per la sicurezza

1. Le guarnizioni del portello e le zone circostanti devono essere pulite con un panno umido. Nel caso in cui esse vengano danneggiate, non bisogna mettere in funzione il forno fino a quando un tecnico autorizzato non le abbia riparate.
2. Non cercare in alcun modo di modificare o riparare il forno in NESSUNA delle sue parti. Non rimuovere il pannello esterno dal forno per nessun motivo, poiché esso protegge dall'esposizione all'energia delle microonde. Le eventuali riparazioni devono essere eseguite esclusivamente da un servizio di assistenza tecnica qualificato Panasonic.
3. Non utilizzare l'apparecchio se ha il cavo elettrico o la spina danneggiati, se non funziona in modo corretto o se è stato danneggiato o fatto cadere. Tentare di riparare il forno è pericoloso per chiunque non sia un tecnico dell'assistenza appositamente istruito dal produttore.
4. Se viene danneggiato il cavo dell'apparecchio, deve essere sostituito da un cavo speciale fornito dal fabbricante e installato da un centro di assistenza autorizzato Panasonic.
5. Non permettere che i bambini usino il forno da soli, senza la supervisione di un adulto! Fatelo SOLO nel caso in cui al bambino siano state date adeguate istruzioni e che quindi, sia in grado di usare il forno in modo sicuro e di capire il pericolo che può derivare da un uso improprio.
6. Liquidi o altri cibi non devono essere riscaldati in contenitori sigillati poiché questi potrebbero esplodere.
7. Questo apparecchio non è stato progettato per essere utilizzato da bambini, persone con capacità fisiche, sensoriali o mentali ridotte o inesperte senza la supervisione o senza istruzioni da parte di una persona responsabile della loro sicurezza. Tenere lontano dai bambini.

QUELMICROONLINE.COM

Istruzioni per la sicurezza

Utilizzazione del vostro forno

1. Non utilizzare il forno per nessun altro motivo che non sia la preparazione di cibo. Questo forno è stato esclusivamente progettato per riscaldare o cuocere il cibo. Non usare questo forno per riscaldare prodotti chimici o qualsiasi altra cosa al di fuori del cibo.
2. Prima di usare il forno, accertarsi che gli utensili siano adatti per la cottura a microonde.
3. Non cercare di asciugare giornali, abiti o altri materiali poiché potrebbero prendere fuoco.
4. Quando il forno non è in funzione, non riporre all'interno alcun oggetto al di fuori degli accessori del forno stesso, per evitare danni in caso di accensione accidentale del forno.
5. Il forno non deve essere assolutamente utilizzato vuoto: ciò rischia di danneggiare l'elettrodomestico.
6. Se si dovessero sviluppare fumo o fiamme all'interno della cavità del forno, premere il pulsante di ARRESTO / ANNULLAMENTO o ruotare la MANOPOLA nella posizione zero e lasciare la porta chiusa allo scopo di estinguere eventuali incendi. Togliere la spina dalla presa o spegnere l'interruttore generale.

Luce della cavità del forno

Consultare un centro assistenza autorizzato nel caso in cui si rendesse necessario riparare o cambiare la lampadina che illumina la cavità del forno.

Accessori

Il forno contiene alcuni accessori: seguire sempre le istruzioni per il loro utilizzo.

Vassoio di vetro

1. Non utilizzare il forno se l'anello e il vassoio in vetro non sono al loro posto.
2. Non adoperare un vassoio di vetro diverso da quello originale Panasonic, che è stato studiato appositamente per questo forno.
3. Se il vassoio di vetro diventa caldo, lasciarlo raffreddare prima di pulirlo o di metterlo nell'acqua.
4. Il vassoio di vetro può girare in entrambi i sensi.
5. Se il cibo o il recipiente posti sul vassoio di vetro toccano le pareti del forno e fermano la rotazione del vassoio, quest'ultimo riprenderà automaticamente a girare nella direzione opposta: ciò è perfettamente normale.
6. Non cuocere il cibo direttamente sul vassoio di vetro.

Anello

1. L'anello e il fondo del forno devono essere puliti frequentemente per impedire eccessiva rumorosità e la formazione di depositi di alimenti.
2. L'anello deve essere sempre utilizzato insieme al vassoio di vetro per cucinare.

Informazioni importanti

1. Tempi di cottura

Il tempo di cottura dipende dalle condizioni, dalla temperatura, dalla quantità di cibo e dal tipo di stoviglie impiegate.

Cominciare a cuocere inserendo il tempo di cottura più breve per evitare una cottura eccessiva. Se il cibo non risulta cotto a sufficienza, si può sempre farlo cuocere ancora per un po'.

Nota: Se i tempi di cottura consigliati dovessero risultare eccessivi, il cibo potrebbe scuocersi o bruciare e, in casi estremi, potrebbe addirittura prendere fuoco, danneggiando anche l'interno del forno.

2. Piccole quantità di cibo

Piccole quantità di cibo o cibi con un basso contenuto di umidità possono bruciarsi, seccarsi eccessivamente o incendiarsi se cotti troppo a lungo. Se l'alimento introdotto nel forno dovesse incendiarsi, lasciare chiuso il portello, spegnete il forno e togliete la spina dalla presa.

3. Uova

Non cuocere le uova nel loro guscio e le uova sode intere nel forno a microonde. La pressione all'interno del forno può aumentare fino a provocare l'esplosione delle uova, anche dopo che la fase di riscaldamento del forno a microonde è terminata.

4. Bucherellare le superfici non porose

I cibi che non hanno una superficie porosa, come ad esempio, patate, tuoni d'uovo e salicce, devono essere bucherellati prima della cottura a microonde per evitare che scoppino.

5. Termometro per carni

Usare un termometro per carni per controllare il grado di cottura di arrosti e pollame, solo quando la carne è stata tolta dal forno. Non usare un comune termometro per carni durante la cottura a microonde, per evitare l'emissione di scintille.

6. Liquidi

Quando si riscaldano dei liquidi (come ad es. zuppe, salse o bevande) nel forno a microonde, può capitare che arrivino al punto di ebollizione senza che in superficie si evidenzino la formazione di bolle: questa situazione può manifestarsi, anche all'improvviso, con la formazione di grumi o la fuoriuscita del liquido dal recipiente. Per evitare ciò devono essere prese le seguenti precauzioni:

- a. evitare l'uso di contenitori con pareti alte ed a collo stretto;
- b. non surriscaldare;
- c. mescolare i liquidi prima di mettere il contenitore nel forno, ed anche a metà del tempo di cottura;
- d. dopo avere riscaldato, lasciare riposare nel forno. Mescolare nuovamente il contenuto (facendo attenzione a non scottarsi).

7. Carta, plastica

Se si riscalda il cibo in contenitori di carta e/o di plastica, controllare spesso il forno poiché questo tipo di contenitori possono incendiarsi se surriscaldati.

Non usare prodotti di carta riciclata (per es. rotoli di carta da cucina) a meno che sul prodotto sia espressamente indicato "adatto per l'uso nel forno a microonde". Infatti alcuni prodotti in carta riciclata possono contenere impurità che possono causare scintille e/o incendi durante l'uso.

Togliere eventuali legature di filo o nastro prima di inserire nel forno involucri e cartocci da rosticceria.

8. Utensili/pellicole

Non riscaldare lattine o bottiglie chiuse perché potrebbero esplodere.

Non utilizzare contenitori in metallo o stoviglie con inserti in metallo (es. decori dorati o manici) per la cottura a microonde perché potrebbero causare l'emissione di scintille.

Se vengono impiegati fogli di alluminio, aghi per spiedini o utensili in genere in metallo, la distanza tra essi e le pareti del forno ed il portello deve essere di almeno 2 cm. per evitare l'emissione di scintille.

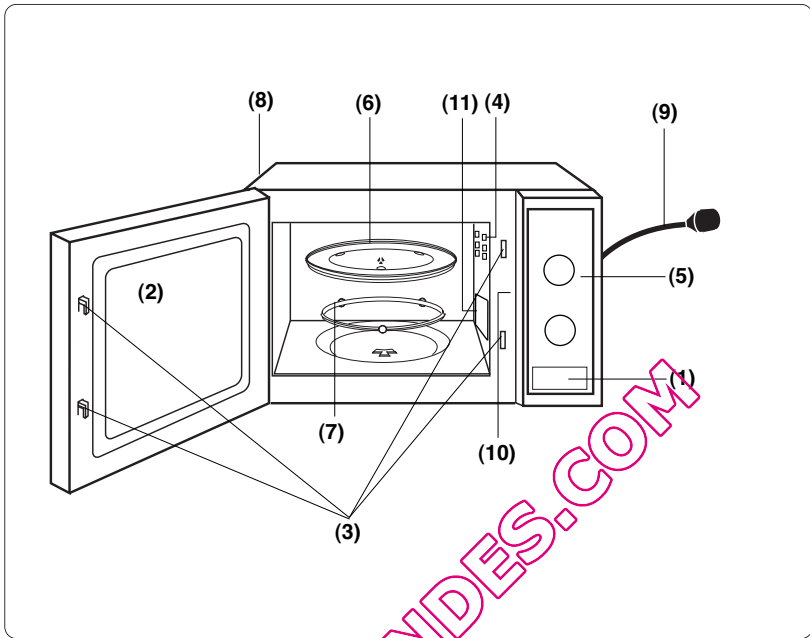
9. Biberon/brocche

La parte superiore, la tettarella dei biberon e il coperchio dei vasetti di cibi per neonati devono essere rimossi prima di mettere biberon e vasetti in forno.

Agitare o mescolare bene il contenuto di biberon e brocche.

Controllare la temperatura prima di consumare il contenuto per evitare di scottarsi.

Il vostro forno



(1) Pulsante di apertura della porta

Per aprire la porta, premere il pulsante. L'apertura della porta durante la cottura provoca un'interruzione momentanea della cottura stessa, ma non la cancellazione delle impostazioni selezionate in precedenza. La cottura riprende non appena viene richiusa la porta.

(2) Finestra del forno

(3) Sistema di bloccaggio di sicurezza della porta

(4) Presa di ventilazione del forno

(5) Pannello di controllo

(6) Vassoio di vetro

(7) Anello

(8) Prese esterne di ventilazione del forno

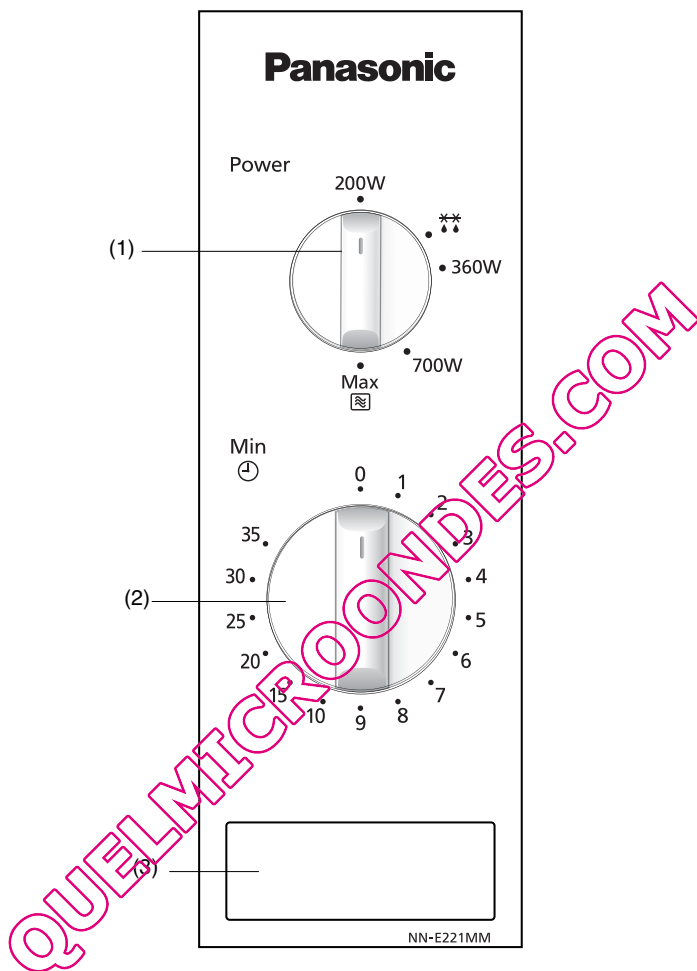
(9) Cavo di alimentazione

(10) Etichetta d'identificazione

(11) Guida di alimentazione delle microonde del forno (Non rimuovere)

Pannelli di controllo

NN-E201WM / NN-E221MM *

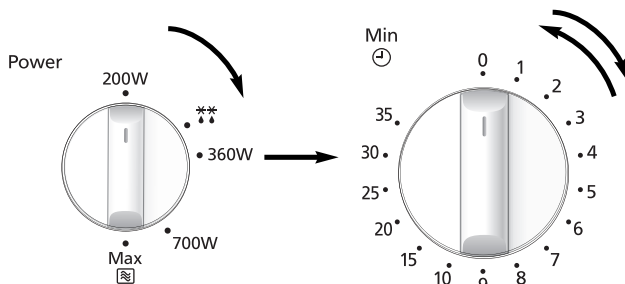


- (1) Manopola livelli di potenza/scongelamento
- (2) Manopola di impostazione tempo
- (3) Pulsante di apertura della porta

***NOTA:** La configurazione del pannello comandi del vostro microonde potrebbe differire da quella qui indicata, a seconda della diversa colorazione. In ogni caso, le funzioni dei comandi (tasti e manopole), rimangono identiche.

Cottura a microonde

	Potenza
Alta	800 Watt
Media	700 Watt
Bassa	360 Watt
Scongelamento	270 Watt
Riscaldamento	200 Watt



- Ruotare la manopola per selezionare il livello di potenza desiderato.

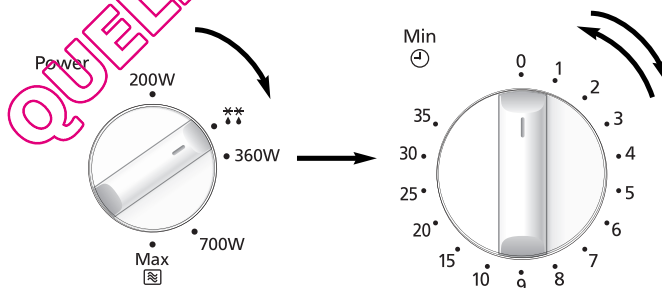
- Ruotando la manopola, impostare il tempo di cottura. Se la porta è chiusa, il tempo di cottura inizierà immediatamente. Per tempi di cottura brevi ruotare sempre la manopola su 2 minuti e poi regolare il tempo in base alle esigenze.

Nota

1. Per controllare il cibo durante la cottura è sufficiente aprire la porta. La cottura si interromperà automaticamente. Per proseguire la cottura, chiudere la porta.
2. Per interrompere la cottura, ruotare la manopola di impostazione tempo sullo zero. Il tempo di cottura può essere reimpostato in qualsiasi momento durante il ciclo di cottura, sempre ruotando la manopola di impostazione tempo.
3. Quando il cibo viene tolto dal forno al termine della cottura, verificare che la manopola sia sullo zero.
4. Il vassoio di vetro deve essere sempre collocato nel forno durante l'utilizzo.

Scongelamento

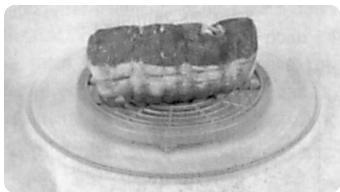
*** La potenza necessaria per lo scongelamento è 270 Watt.



- Selezionare la potenza per lo scongelamento ruotando la manopola.
- Impostare il tempo di scongelamento ruotando la manopola. Se la porta è chiusa, il tempo di cottura inizierà immediatamente. Per tempi di cottura brevi ruotare sempre la manopola su 2 minuti e poi regolare il tempo in base alle esigenze.

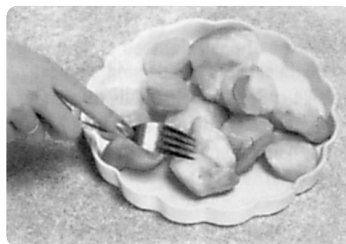
Istruzioni per lo scongelamento dei cibi

Suggerimenti per lo scongelamento dei cibi



Tempi di riposo

Singole porzioni di cibo possono essere cucinate quasi immediatamente dopo lo scongelamento. È normale che porzioni grandi di cibo restino congelate nel mezzo. Prima di cucinarle, lasciarle a temperatura ambiente per **almeno un'ora**. Durante il tempo di riposo, la temperatura si distribuirà uniformemente e il cibo si scongelerà per conduzione. **NOTA:** Se il cibo non deve essere cotto immediatamente, metterlo in frigorifero. Non congelare mai di nuovo cibi scongelati senza prima averli cotti.



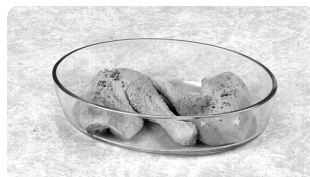
Carne trita o dadini di carne e pesce

Dato che la parte esterna di tali cibi si scongela velocemente, è necessario separarli, dividere spesso i blocchi in pezzi durante lo scongelamento e toglierli dal forno una volta scongelati.



Tranci di carne e pollame

È preferibile mettere i tranci di carne su un piattino rovesciato o su una griglia di plastica per evitare che non rimangano nel sangue prodotto. È indispensabile proteggere le parti delicate o sporgenti di questo cibo con piccoli pezzi di foglio di alluminio per evitare che tali parti cuociano. Non è pericoloso utilizzare piccoli pezzi di foglio nel forno, a condizione **che non entrino in contatto con le sue pareti**.



Piccole porzioni di cibo

Le braciole e i pezzi di pollo devono essere separati non appena possibile, in modo che possano scongelare in maniera uniforme anche all'interno. Le parti grasse e le estremità si scongelano più velocemente. E' consigliabile porle vicino al centro del piatto girevole o proteggerle.

Pane

Le pagnotte richiedono un tempo di riposo per permettere uno scongelamento uniforme al centro. Il tempo di riposo può essere accorciato se le fette sono separate, e i panini e le pagnotte tagliati a metà.

Domande e risposte

D: Perché il forno non si accende?

R: Quando il forno non si accende, verificare i seguenti punti:

1. Il forno è stato correttamente collegato saldamente alla presa di corrente? Estrarre la spina dalla presa, attendere 10 secondi e reinserirla.
2. Verificare l'interruttore e il fusibile. Riaccendere l'interruttore o sostituire il fusibile qualora fosse saltato o bruciato.
3. Se l'interruttore e il fusibile sono a posto, collegare un altro apparecchio alla presa di corrente. Se questo apparecchio funziona, il problema risiede probabilmente nel forno stesso. Se il secondo apparecchio collegato non funziona, il problema risiede probabilmente nella presa di corrente. Se il problema dovesse essere nel forno stesso, contattare un centro di assistenza qualificato.

D: Il mio forno a microonde causa delle interferenze all'apparecchio TV. È normale?

R: È possibile che si verifichino delle interferenze durante la cottura con il forno a microonde. Questa interferenza è simile a quella causata da piccoli elettrodomestici quali frullatori, aspirapolvere, asciugacapelli, ecc. Questo non vuol dire che il forno a microonde sia difettoso.

D: Perché la luce del forno si attenua?

R: Quando si cucina con una potenza elettrica diversa da 800W (potenza ALTA) il forno deve operare un ciclo per ottenere i livelli di potenza più bassi. La luce del forno si attenua e si possono udire dei clicchetti mentre il forno compie il suo ciclo.

D: Talvolta proviene dell'aria calda dalle prese di ventilazione del forno. Perché?

R: Il calore emanato dal cibo che viene cotto riscalda l'aria nella cavità del forno. Questa aria calda viene portata fuori dal forno dal movimento dell'aria all'interno del forno. Non ci sono microonde nell'aria. Le prese di ventilazione del forno non devono mai essere bloccate durante la cottura.

Cura del forno a microonde

1. Prima di procedere alla pulizia del forno, scollegarlo dalla presa di corrente.
2. Mantenere puliti l'interno del forno, le giunture della porta e le superfici vicine a queste. Pulire gli schizzi di cibo e i liquidi versati che aderiscono alle pareti del forno passando un panno umido sulle giunture della porta e sulle superfici vicine. È possibile utilizzare un detergente neutro nel caso in cui le giunture fossero molto sporche. Non è raccomandato l'uso di detersivi concentrati o abrasivi.
NON UTILIZZARE I PRODOTTI PER LA PULIZIA DEI FORNI DISPONIBILI IN COMMERCIO
3. La superficie esterna del forno deve essere pulita con un panno umido. Per evitare di danneggiare le parti operative all'interno del forno, evitare di far penetrare dell'acqua nelle prese di ventilazione.
4. Se il pannello di controllo si sporca, pulirlo con un panno morbido e asciutto. Non usare forti detersivi né spugnette abrasive sul pannello di controllo. Quando si pulisce il pannello di controllo lasciare la porta aperta per evitare l'accensione accidentale del forno. Dopo la pulizia, toccare il pulsante di **ARRESTO/ANNULLAMENTO** per eliminare quanto visualizzato nel display o ruotare la **MANOPOLA** sullo zero.
5. Se si accumula del vapore all'interno o intorno alla parte esterna della porta del forno, passarvi sopra un panno morbido. Questo può accadere quando il forno a microonde viene usato in condizioni di forte umidità e non indica assolutamente un cattivo funzionamento dell'apparecchio.
6. Occasionalmente è necessario rimuovere il vassoio di vetro per pulirlo. Lavare il vassoio in acqua calda e detersivo o lavastoviglie.
7. L'anello e il fondo del forno devono essere puliti regolarmente per evitare eccessiva rumorosità. È sufficiente lavare la superficie inferiore interna con acqua calda e un detergente neutro, quindi asciugare con un panno asciutto. L'anello può essere lavato con acqua e sapone neutro. Con l'uso si accumulano i vapori di cottura che, tuttavia, non compromettono in alcun modo la superficie inferiore o le rotelle dell'anello. Dopo aver rimosso e pulito l'anello dal fondo, assicurarsi di riposizionarlo correttamente.
8. La manutenzione di questo forno deve essere eseguita unicamente da personale qualificato. Per la manutenzione e le riparazioni del forno, contattare il più vicino centro di assistenza autorizzato Panasonic.
9. Non utilizzare pulitori a vapore.
10. La mancanza di attenzione alla pulizia del forno può portare al deterioramento delle superfici, riducendo la vita operativa dell'apparecchio e creando situazioni a rischio.
11. Tenere sempre sgombre da ostacoli le aperture di ventilazione. Controllare che le aperture collocate sulla parte alta, bassa o posteriore del forno non siano ostruite da polvere o altro materiale. In caso contrario, il forno potrebbe surriscaldarsi e non funzionare o funzionare in maniera anomala.
12. Non utilizzare detersivi abrasivi o raschietti di metallo appuntiti per pulire il vetro del forno in quanto possono graffiare la superficie e, di conseguenza, danneggiare il vetro.

Caratteristiche tecniche

Alimentazione:	230 V ~ 50 Hz	
Consumo energetico:	Microonde;	1250 W
Uscita:	Microonde;	800 W (IEC-60705)
Dimensioni esterne:		443 (L) x 340 (P) x 258 (A) mm
Dimensioni della cavità del forno		306 (L) x 308 (P) x 215 (A) mm
Peso senza imballaggio		10.5 kg
Rumorosità:		46dB

Le caratteristiche tecniche sono soggette a modifiche senza preavviso.

Questo prodotto è conforme agli attuali standard Europei per la Compatibilità Elettromagnetica, in ottemperanza alle norme EN 55011. Secondo gli standard menzionati questo prodotto rientra nel gruppo 2, classe B, all'interno dei limiti richiesti. Gruppo 2; significa che la radio frequenza è generata sotto forma di emissione elettromagnetica adatta allo scopo di riscaldare o cuocere i cibi. Classe B: significa che questo prodotto può essere utilizzato nel normale ambito casalingo.



Informazioni per gli utenti sullo smaltimento di apparecchiature elettriche ed elettroniche obsolete (per i nuclei familiari privati)

Questo simbolo sui prodotti e/o sulla documentazione di accompagnamento significa che i prodotti elettrici ed elettronici usati non devono essere mescolati con i rifiuti domestici generici.

Per un corretto trattamento, recupero e riciclaggio, portare questi prodotti ai punti di raccolta designati, dove verranno accettati gratuitamente. In alternativa, in alcune nazioni potrebbe essere possibile restituire i prodotti al rivenditore locale, al momento dell'acquisto di un nuovo prodotto equivalente.

Uno smaltimento corretto di questo prodotto contribuirà a far risparmiare preziose risorse ed evitare potenziali effetti negativi sulla salute umana e sull'ambiente, che potrebbero derivare, altrimenti, da uno smaltimento inappropriato. Per ulteriori dettagli, contattare la propria autorità locale o il punto di raccolta designato più vicino.

In caso di smaltimento errato di questo materiale di scarto, potrebbero venire applicate delle penali, in base alle leggi nazionali.

Per gli utenti aziendali nell'Unione Europea

Qualora si desideri smaltire apparecchiature elettriche ed elettroniche, contattare il rivenditore o il fornitore per ulteriori informazioni.

Informazioni sullo smaltimento in nazioni al di fuori dell'Unione Europea

Questo simbolo è valido solo nell'Unione Europea.

Qualora si desideri smaltire questo prodotto, contattare le autorità locali o il rivenditore e chiedere informazioni sul metodo corretto di smaltimento.

Conforme alla direttiva 2004/108/CE, articolo 9(2):

Panasonic Testing Centre

Panasonic Service Europe, una divisione di Panasonic Marketing Europe GmbH

Winsbergring 15, 22525 Amburgo, Germania.

Prodotto per Panasonic Corporation da GMMEAM

No. 6 Yong An RD, Beijiao, Shunde, Foshan, Guangdong, Repubblica Pololare Cinese.

QUELMICROONDES.COM

Instalación y conexión

Examine su horno microondas

Desembale el horno, saque todo el material de embalaje y examine que el horno no tenga ningún daño como abolladuras, pestillos de la puerta rotos o grietas en la puerta. Si encuentra cualquier daño, notifíquelo a su distribuidor inmediatamente. No instale un horno microondas dañado.

Instrucciones para conexión a tierra

IMPORTANTE: ESTA UNIDAD TIENE QUE ESTAR DEBIDAMENTE CONECTADA EN TIERRA, POR SU SEGURIDAD PERSONAL.

Si su salida de CA no está conectada en tierra, es responsabilidad personal del cliente tenerla reemplazada con un enchufe de pared apropiado conectado a tierra.

Voltaje de funcionamiento

El voltaje tiene que ser el mismo que está especificado en la etiqueta que está sobre el horno. Si se usa un voltaje más alto que el especificado, puede causar un incendio u otros daños.

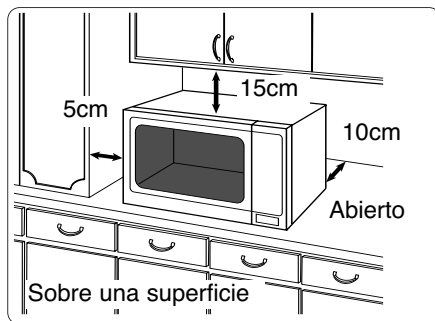
Colocación del horno

Este horno está diseñado únicamente para su uso en encimeras caseras. No está diseñado para utilizarlo empotrado dentro de un armario.

1. Sitúe el horno sobre una superficie plana y estable a más de 85 cm por encima del suelo.
2. Cuando se instale este horno, debe ser fácil aislar el aparato del suministro de electricidad, tirando de la clavija o accionando el disyuntor.
3. Para que el funcionamiento sea el apropiado, hay que asegurar una circulación suficiente de aire para el horno.

Uso sobre una superficie:

- a. Hay que dejar 15 cm de espacio libre por encima del horno, 10 cm por detrás y 5 cm por un lado, mientras que el otro lado debe estar despejado más de 40 cm.
- b. Si un lado del horno está colocado a nivel de una pared, el otro lado o la parte superior no debe estar bloqueado.



Uso sobre una superficie:

- a. Hay que dejar 30 cm de espacio libre por encima del horno, 10 cm por detrás y 7.5 cm por un lado, mientras que el otro lado debe estar despejado más de 40 cm.
 - b. Si un lado del horno está colocado a nivel de una pared, el otro lado o la parte superior no debe estar bloqueado.
4. No coloque este horno cerca de una cocina eléctrica o de gas.
 5. No deben sacarse los apoyos inferiores.
 6. Este horno es sólo para uso doméstico. No usarlo al aire libre.
 7. Evitar el uso del horno microondas en ambientes de humedad alta.
 8. El cable de la corriente no debe tocar el exterior del horno. Mantener el cable alejado de superficies calientes. No deje el cable colgando del borde de una mesa o de un mostrador. No sumerja en agua el cable, la clavija ni el horno.
 9. No bloquee las rejillas de ventilación situadas en la parte superior y trasera del horno. Si estas rejillas están bloqueadas durante la operación, el horno puede sobrecalentarse. En este caso el horno está protegido por un dispositivo de seguridad térmico y reanuda la operación únicamente tras haberse enfriado.
 10. Este aparato no está diseñado para funcionar mediante un temporizador para externo ni un sistema de control remoto independiente.

Instalación y conexión

AVISO

Instrucciones de seguridad importantes

1. Los cierres de la puerta y las áreas de cerrado de la puerta deben limpiarse con un paño húmedo. El aparato debe inspeccionarse para ver si tiene daños en los cierres de la puerta y en las áreas de cierre de la misma y si éstas áreas están dañadas, no debe hacerse funcionar el aparato hasta que haya sido reparado por un técnico formado por el fabricante.
2. No intente forzar o hacer cualquier ajuste o reparación a la puerta, alojamiento del panel de control, mandos de interrupción de seguridad o cualquier otra parte del horno. No saque el panel exterior del horno que proporciona protección contra la exposición a la energía de microondas. Las reparaciones deben ser realizadas por una persona de servicio cualificada.
3. No haga funcionar este aparato si tiene un CABLE o CLAVIJA estropeados. Si no tra baja apropiadamente, está estropeado o se ha caído, es peligroso realizar el servicio de reparación por alguien que no sea del servicio técnico formado por el fabricante.
4. Si el cable de suministro eléctrico de este aparato está estropeado, debe reemplazarlo por el cable especial disponible del fabricante.
5. No permita a los niños el uso del horno sin supervisión, solamente cuando se hayan dado las instrucciones adecuadas para que el niño sea capaz de usar el horno de forma segura y entienda los riesgos que pueden derivarse de un uso inapropiado.
6. Nunca deberá calentar líquidos o cualquier otro tipo de alimento en recipientes herméticos, ya que existe el riesgo de que estallen por culpa de la presión.
7. Este aparato no está diseñado para que lo utilicen personas (niños incluidos) con capacidades físicas, sensoriales o mentales reducidas, o sin experiencia y conocimientos, a menos que una persona responsable de su seguridad les supervise o les haya dado instrucciones acerca del uso del aparato.
Es preciso controlar a los niños para cerciorarse de que no jueguen con el aparato.

QUELMICROONLINE.COM

Instrucciones de seguridad

1. No use el horno para ninguna otra razón que no sea la preparación de comida. Este horno está diseñado específicamente para calentar, descongelar o cocinar alimentos. No use este horno para calentar productos químicos u otros productos no-alimenticios.
2. Antes de utilizarlo, verifique que los utensilios/recipientes son adecuados para su uso en hornos microondas.
3. No intente usar este horno microondas para secar periódicos, ropa o cualquier otro material ya que podrían incendiarse.
4. Cuando no vaya a usarse el horno, no guarde en el interior del mismo otros objetos que no sean los accesorios del horno, para que no se ponga en marcha accidentalmente.
5. No se hará funcionar el aparato mediante las funciones MICROONDAS, SI NO HAY COMIDA EN EL HORNO ya que se podría estropear.
6. Si hubiera humo en el interior del aparato o se incendiase, PRESIONE EL BOTÓN DE PARADA/CANCELACIÓN o gire LA RUEDA DE TIEMPO hasta la posición cero. Deje la puerta cerrada. Desenchufe el microondas o desconecte el diferencial de la corriente.

Lámpara del horno

Cuando sea necesario reemplazar la lámpara del horno, por favor consulte al servicio técnico.

Accesorios

El horno viene equipado con una variedad de accesorios. Seguir siempre las indicaciones dadas para el uso de los accesorios.

Bandeja de cristal

1. No haga funcionar el horno sin el aro de rodillo y la bandeja de vidrio.
2. Nunca usar otro tipo de bandeja de cristal que no sea la diseñada especialmente para este horno.
3. Si la bandeja de cristal está caliente, deberá dejarla enfriar antes de limpiarla o sumergirla en el agua.
4. La bandeja de cristal puede girar en cualquier dirección.
5. Si el recipiente de comida colocado sobre la bandeja de cristal toca las paredes del horno, se detendrá momentáneamente y ésta girará automáticamente en la dirección contraria. Esto es normal.
6. No cocine alimentos directamente sobre la bandeja de cristal.

Aro de rodillo

1. El aro de rodillo y el suelo del horno deben limpiarse con frecuencia para evitar ruidos y la acumulación de restos de alimentos.
2. El aro de rodillo debe utilizarse siempre para cocinar junto con la bandeja de vidrio.

Información importante

1. Tiempos de cocción

El tiempo de cocción depende de la condición, temperatura, cantidad de comida y tipo de recipiente.

Comience con el tiempo de cocción mínimo para ayudar a prevenir una sobrecocción. Si la comida no está suficientemente cocida, siempre puede cocerla durante un poco más de tiempo.

Nota: Si se sobrepasan los tiempos de cocción recomendados, la comida puede estropearse y en circunstancias extremas podría incendiarse y dañar posiblemente el interior del horno.

2. Pequeñas cantidades de alimentos

Pequeñas cantidades de comida o alimentos con bajo contenido de humedad pueden quemarse, secarse o incendiarse si se cuecen demasiado tiempo. Si los materiales dentro del horno se incendiaran, mantenga cerrada la puerta del horno, apague el horno y desenchufe el cable eléctrico.

3. Huevos

No cocine huevos con la cáscara ni cueza huevos duros en la modalidad de MICROONDAS. Puede aumentar la presión y los huevos pueden explotar, incluso después de que el microondas haya dejado de emitir calor.

4. Perforar la piel

Los alimentos con pieles no porosas, tales como las patatas, yemas de huevo y salchichas deben pincharse antes de la cocción por MICROONDAS para prevenir que estallen durante la cocción.

5. Termómetro para la carne

Use un termómetro para la carne, para verificar el grado de cocción de los asados y de las aves, solamente cuando la haya sacado del horno. No use un termómetro para la carne convencional cuando esté en MICROONDAS, ya que pueden producir chispas.

6. Líquidos

Cuando se calienten líquidos, por ejemplo, sopa, salsas y bebidas, en su horno microondas puede ocurrir un sobrecalentamiento del líquido por encima de su punto de ebullición sin que se aprecie borboteo. Esto puede resultar en una repentina ebullición del líquido caliente.

Para prevenir esta posibilidad deben tomarse las siguientes medidas:

- a. Evitar el uso de recipientes de lados rectos con cuellos estrechos.
- b. No sobrecalentar.
- c. Remover el líquido antes de colocar el recipiente en el horno y otra vez en el intermedio del tiempo de cocción.
- d. Después del calentamiento, dejar que se quede en el horno un poco de tiempo y remover de nuevo el recipiente antes de sacarlo.

7. Papel/plástico

Cuando caliente comida en recipientes de papel o de plástico, verifique el horno con frecuencia ya que estos tipos de recipientes se encienden si se sobrecalientan.

No use productos de papel reciclado (por ej.: rollo de cocina) a menos que el producto de papel esté etiquetado como seguro para uso en horno microondas. Los productos de papel reciclado pueden contener impurezas que pueden causar chispas o fuego durante su uso.

Saque las tiras de cierre de las bolsas para asados antes de colocar las bolsas en el horno.

8. Utensilios/papel de aluminio

No calentar latas ni botellas cerradas porque pueden explotar.

Los recipientes metálicos o los platos con ribetes metálicos no deben usarse durante la cocción del microondas ya que se producirían chispas.

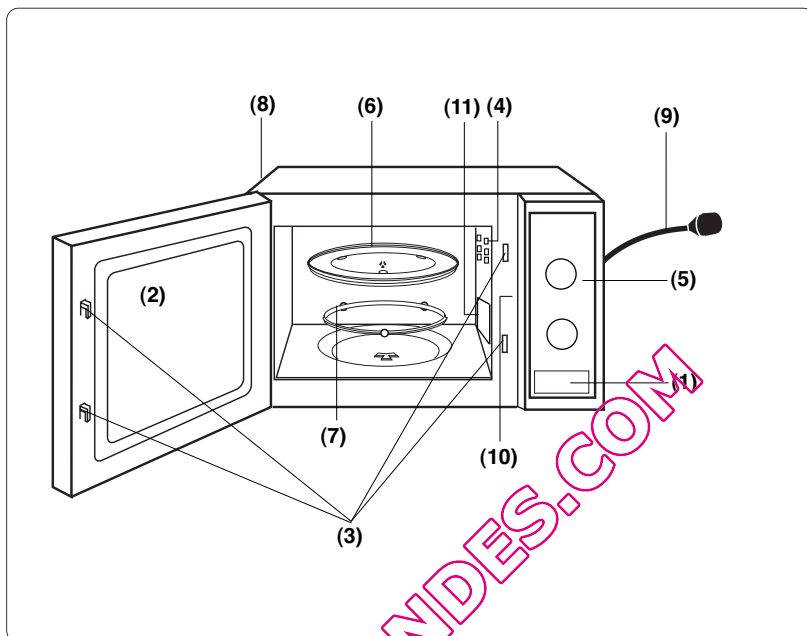
Si usted utiliza cualquier hoja de aluminio, pinchos para carne o utensilios de metal, la distancia entre ellos, las paredes y la puerta del horno debe ser de al menos 2 cm para prevenir chispazos.

9. Biberones/tarritos para bebés

El tapón y la tetina, o la tapadera, deben sacarse de los biberones y de los tarritos antes de colocarlos en el horno.

El contenido de los biberones y de los tarritos tienen que removerse o agitarse. La temperatura tiene que verificarse antes de su consumo, para evitar quemarse.

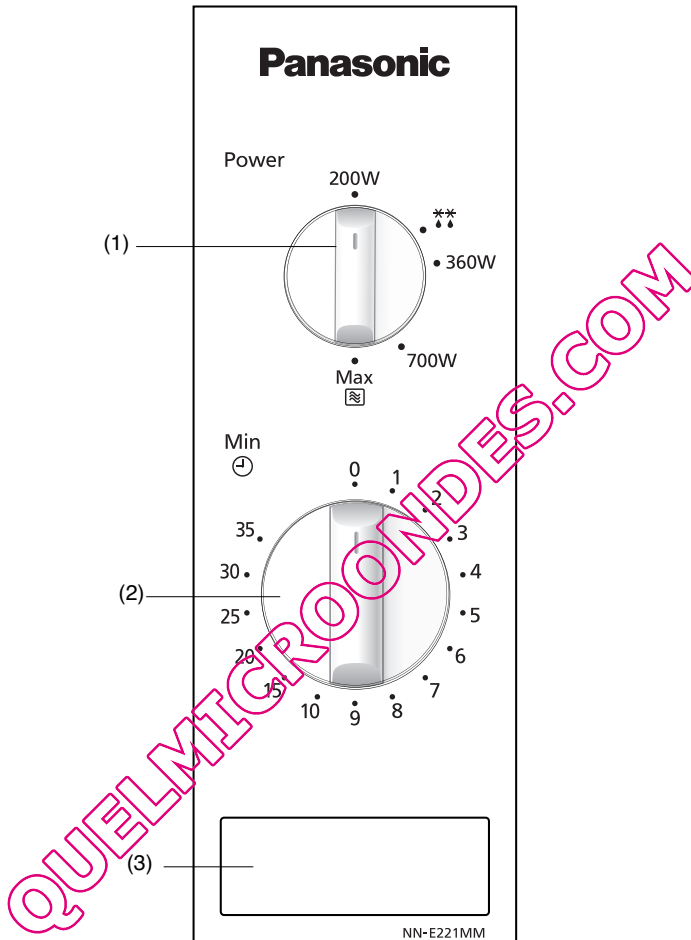
Esquema descriptivo



- (1) **Botón de apertura de la puerta**
Púlselo para abrir la puerta. Cuando abra la puerta del horno durante la cocción, éste se detendrá temporalmente sin borrar el ajuste que se haya hecho con anterioridad. La cocción continuará en cuanto se cierre la puerta.
- (2) **Ventana del horno**
- (3) **Sistema de cierre de seguridad de la puerta**
- (4) **Orificios de ventilación**
- (5) **Panel de control**
- (6) **Bandeja de cristal**
- (7) **Aro de rodillo**
- (8) **Orificios de ventilación exteriores**
- (9) **Cable de alimentación**
- (10) **Tarjeta de identificación**
- (11) **Guía de ondas del microondas (no retirar)**

Cuadros de mandos

NN-E201WM / NN-E221MM *



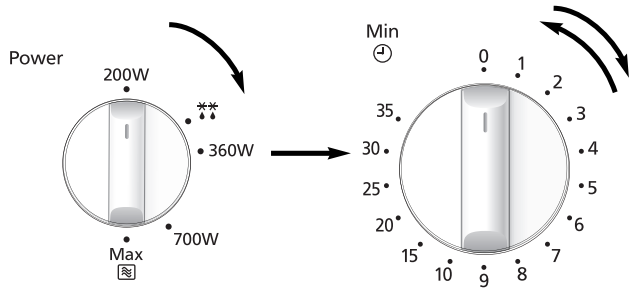
- (1) Rueda de selección microondas / descongelar
- (2) Rueda del tiempo
- (3) Botón de apertura de la puerta

*Nota: El diseño del panel de control del microondas puede ser de diferente color, pero las funciones de este no varían.

Cocción

Potencia

Alta	800 Vatios
Media	700 Vatios
Baja	360 Vatios
Descongelar	270 Vatios
Calentar	200 Vatios



- Gire la rueda para seleccionar el nivel de potencia.

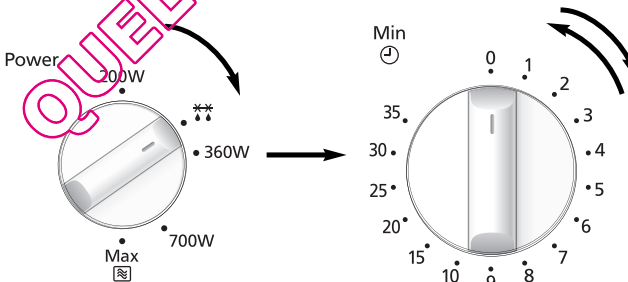
- Programe el tiempo de cocción girando la rueda del tiempo. Si la puerta ya está cerrada, el tiempo de cocción se iniciará automáticamente. Para tiempos de cocción cortos, gire siempre la rueda hasta 2 minutos y luego ajuste el tiempo preciso.

Nota:

1. Si quiere comprobar la comida durante la cocción, sólo tiene que abrir la puerta. El horno dejará de cocinar automáticamente. Para seguir cocinando, cierre la puerta.
2. Para detener la cocción, gire la rueda del tiempo hasta la posición cero. El tiempo de cocción puede reajustarse en cualquier momento durante el ciclo de cocción girando la rueda del tiempo.
3. Cuando saque la comida del horno al terminar la cocción, compruebe que la rueda del tiempo está a cero.
4. La bandeja de cristal debe estar siempre colocado cuando se utiliza el horno.

Descongelación

La potencia de descongelación es de 270 vatios.

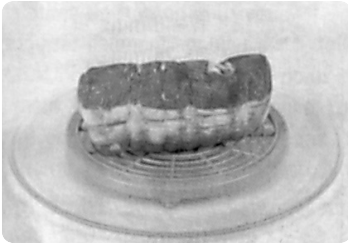


- Seleccione la potencia de descongelación girando la rueda.

- Programe el tiempo de descongelación girando la rueda. Si la puerta ya está cerrada, el tiempo de cocción se iniciará automáticamente. Para tiempos de cocción cortos, gire siempre la rueda hasta 2 minutos y luego ajuste el tiempo preciso.

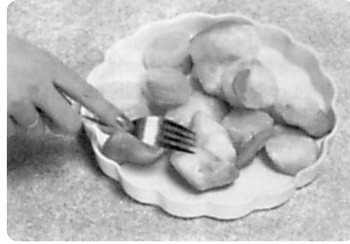
Descongelar con Microondas

Consejos para descongelar



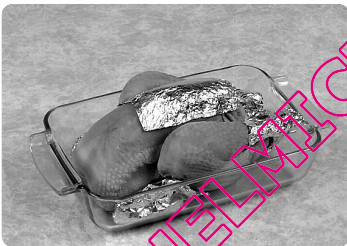
Tiempos de reposo

Las porciones pequeñas de comida se deben cocinar casi inmediatamente después de su descongelación. Es normal que los trozos de comida más grandes estén congelados en el centro. Antes de cocinarlos, déjelos reposar durante **un mínimo de una hora**. Durante este tiempo de reposo la temperatura se hace homogénea en todo el alimento y se descongela por conducción. Nota: Si no va a cocinar los alimentos inmediatamente, guárdelos en el frigorífico. Nunca vuelva a congelar comida ya descongelada sin haberla cocinado antes.



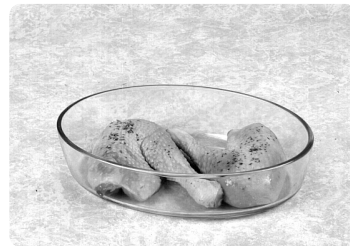
Carne picada o dados de carne y pescado

Ya que la parte exterior de estos alimentos se descongela con mucha rapidez, es necesario separar los trozos con frecuencia mientras se descongelan y sáqueles cuando ya estén descongelados.



Carnes para asados y aves

Es preferible poner la carne para asar en un plato boca abajo o en una rejilla de plástico para que no pierda sus jugos. Es fundamental proteger las partes más delicadas del alimento con pequeños trozos de papel de aluminio para impedir que se cocinen. No es peligroso emplear pequeños trozos de papel de aluminio dentro de su horno, si procura que **no entren en contacto con las paredes del horno**.



Porciones pequeñas

Las chuletas y los trozos de pollo se deben separar lo antes posible para que se descongelen por igual. Las zonas grasas y los extremos se descongelan más rápidamente, póngalos cerca del centro del plato giratorio o protéjalos.

Pan

El pan requiere mas tiempo para poder descongelar el centro de este. Pero el tiempo debe ser corto si son panecillos o el pan esta cortado a rebanadas.

Preguntas y respuestas

P: ¿Por qué no se pone en marcha mi horno?

R: Cuando el horno no se ponga en marcha verifique los siguientes puntos:

1. ¿Está el horno correctamente enchufado? Desenchufe el cable, espere 10 minutos y vuélvalo a enchufar.
2. Verifique el interruptor y el fusible. Rearme el interruptor o cambie el fusible si se ha soltado o se ha fundido.
3. Si el interruptor o el fusible están bien, pruebe a conectar otro aparato en ese enchufe. Si funciona, es probablemente un problema del horno. Pero si el otro aparato no funciona, probablemente es un problema del enchufe. Si le parece que hay un problema con el horno, contacte con un Centro de Servicio autorizado.

P: Mi horno microondas causa interferencias en mi televisor. ¿Es esto normal?

R: Pueden ocurrir algunas interferencias en la radio y el televisor cuando usted cocina con el horno microondas. Esta interferencia es similar a la interferencia causada por pequeños aparatos electrodomésticos, tales como batidoras, aspiradoras, secadores, etc. Ello no significa que su horno tenga algún problema.

P: ¿Por qué baja la luz de mi horno?

R: Cuando se cocina con una potencia diferente de los 800 W (Potencia ALTA), el horno debe pasar por un ciclo hasta conseguir los niveles de potencia más bajos. La luz del horno baja de intensidad y pueden oírse ruidos de chasquidos mientras el horno pasa por los ciclos.

P: Algunas veces sale aire caliente por las rejillas de ventilación. ¿Por qué?

R: El calor que despiden los alimentos que se cocinan, calientan el aire en la cavidad del horno. Este aire calentado es transportado fuera del horno por el flujo de aire que hay en el horno. No hay microondas en este aire. Las rejillas de ventilación nunca deben estar obstruidas durante la cocción.

Cuidado de su Horno

1. Desconecte el horno antes de limpiarlo.
2. Mantenga limpios el interior del horno, cierres y áreas de cierre de la puerta. Si se le adhieren restos de alimentos o de líquidos, límpielos con un trapo húmedo. Si estuviera muy sucio, puede usar un detergente suave. No es recomendable el uso de detergentes severos o abrasivos.
NO USE LIMPIADORES DE HORNOS CONVENCIONALES.
3. La superficie exterior del horno debe limpiarse con un trapo húmedo. Para prevenir que sufran algún daño las partes operativas del interior del horno, no debe permitirse que el agua rezume y se cuele por las aberturas de ventilación.
4. Si el panel de control llega a ensuciarse, límpielo con un trapo seco, y suave. No use detergentes severos o abrasivos en el panel de control. Cuando limpie el panel de control, deje abierta la puerta del horno para prevenir que el horno se pusiera en marcha accidentalmente. Después de limpiarlo pulse el botón de **PARO/CANCELACIÓN** para borrar lo que aparezca en la pantalla ó gire la **RUEDA DE TIEMPO** a la posición cero.
5. Si se forman condensaciones en el interior o en el exterior de la puerta del horno, límpielas con un trapo suave. Esto puede ocurrir cuando el horno microondas funciona bajo condiciones de humedad alta y de ninguna manera supone un mal funcionamiento del aparato.
6. De vez en cuando es necesario sacar la bandeja de cristal para limpiarla. Lávela con agua caliente y jabón o en el lavavajillas.
7. El aro de rodillo y el suelo de la cavidad del horno deben limpiarse regularmente para evitar el exceso de ruido. Solo hay que limpiar la superficie inferior del horno con un detergente suave y agua caliente, y después secarla con un paño limpio. El aro de rodillo puede lavarse con agua y detergente suave. Los vapores de cocción recogidos durante el uso repetido no afectan en forma alguna la superficie inferior o las ruedas del aro de rodillo. Después de retirar el aro de rodillo del suelo de la cavidad para limpiarlo, asegúrese de volver a colocarlo en la posición adecuada.
8. Este horno solamente puede ser revisado por personal cualificado. Para el mantenimiento y reparación del horno, póngase en contacto con el distribuidor autorizado más próximo.
9. No debe utilizarse una limpiadora a vapor para limpiar el aparato.
10. Debe mantener el horno limpio, puesto que no hacerlo así podría llevar al deterioro de las superficies, lo cual podría afectar la vida del electrodoméstico y probablemente resultaría en una situación de riesgo.
11. Mantenga libres las rejillas de aire en todo momento. Compruebe que no haya polvo ni otro material bloqueando las rejillas de ventilación en las partes superior, trasera o inferior del horno. Si se bloquean las rejillas, podría producirse un sobrecalentamiento que podría afectar al funcionamiento del horno.
12. No utilice productos de limpieza agresivos ni abrasivos ni rascadores metálicos para limpiar la puerta de cristal del horno ya que pueden rayar la superficie y esto puede provocar la rotura del cristal.

Especificaciones Técnicas

Alimentación Eléctrica:	230 V ~ 50 Hz	
Potencia de entrada:	Microondas	1250 W
Potencia de salida:	Microondas	800 W (IEC-60705)
Dimensiones exteriores:	443 (ancho) x 340 (fondo) x 258 (alto) mm	
Dimensiones cavidad del horno:	306 (ancho) x 308 (fondo) x 215 (alto) mm	
Peso sin embalar:	10.5 kg	
Ruido:	46dB	

Especificaciones sujetas a variación sin previo aviso.

Este producto es un equipo que cumple con el standard EMC (EMC=Compatibilidad Electromagnética) EN 55011. De acuerdo con este standard este producto es un equipo del grupo 2 clase B y se encuentra dentro de los límites exigidos. Grupo 2 significa que la energía de radio frecuencia es generada en forma de radiación electromagnética para calentar o cocinar alimentos. Clase B significa que este producto debe de ser usado en áreas domésticas.



Información sobre la eliminación para los usuarios de equipos eléctricos y electrónicos usados (particulares)

La aparición de este símbolo en un producto y/o en la documentación adjunta indica que los productos eléctricos y electrónicos usados no deben mezclarse con la basura doméstica general.

Para que estos productos se sometan a un proceso adecuado de tratamiento, recuperación y reciclaje, lívelos a los puntos de recogida designados, donde los admitirán sin coste alguno. En algunos países existe también la posibilidad de devolver los productos a su minorista local al comprar un producto nuevo equivalente. Si desecha el producto correctamente, estará contribuyendo a preservar valiosos recursos y a evitar cualquier posible efecto negativo en la salud de las personas y en el medio ambiente que pudiera producirse debido al tratamiento inadecuado de desechos. Póngase en contacto con su autoridad local para que le informen detalladamente sobre el punto de recogida designado más cercano.

De acuerdo con la legislación nacional, podrían aplicarse multas por la eliminación incorrecta de estos desechos.

Para empresas de la Unión Europea

Si desea desechar equipos eléctricos y electrónicos, póngase en contacto con su distribuidor o proveedor para que le informe detalladamente.

Información sobre la eliminación en otros países no pertenecientes a la Unión Europea

Este símbolo sólo es válido en la Unión Europea.

Si desea desechar este producto, póngase en contacto con las autoridades locales o con su distribuidor para que le informen sobre el método correcto de eliminación.

Según la Directiva EMC 2004/108/EC, artículo 9(2):-

Centro de Ensayos de Panasonic

Panasonic Service Europe, una división de Panasonic Marketing Europe GmbH

Winsberggring 15, 22525 Hamburgo, República Federal de Alemania

Fabricado para Panasonic Corporation por GMMEAM

No. 6 Yong An RD, Beijiao, Shunde, Foshan, Guangdong, República Popular de China.

QUELMICROONDES.COM

Instalação e ligação

Examinar o micro-ondas

Desembale o micro-ondas, retire todo o material de embalagem e examine o forno para verificar se existem quaisquer danos, tais como amolgadelas, dobradiças quebradas ou fendas na porta. Se encontrar algum dano, avise o seu distribuidor imediatamente. Não instale um micro-ondas danificado.

Instruções para ligação à terra

IMPORTANTE: ESTA UNIDADE DEVE SER LIGADA ADEQUADAMENTE À TERRA POR MOTIVOS DE SEGURANÇA PESSOAL.

Se a sua tomada eléctrica não tiver uma ligação à terra, é da responsabilidade pessoal do cliente mandá-la substituir por uma tomada com terra apropriada.

Voltagem de funcionamento

Deve utilizar-se a voltagem que está especificada na etiqueta do forno. Se for utilizada uma voltagem superior à especificada, pode provocar um incêndio ou outros danos.

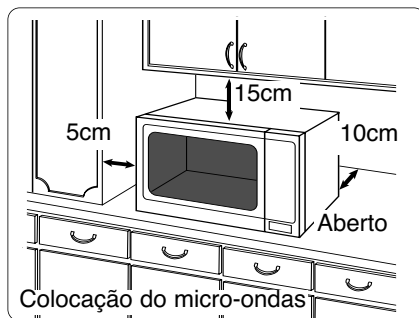
Colocação do forno

Este forno destina-se a utilização exclusiva num balcão de cozinha doméstica. Não deve ser embutido ou colocado no interior de um armário.

1. Coloque o forno sobre uma superfície plana e estável, a mais de 85 cm do chão.
2. Quando este forno estiver instalado, deve tomar medidas para que este aparelho seja facilmente isolado da fonte de energia, ao desligar-se a ficha ou desligando o disjuntor.
3. Para obter um funcionamento eficaz, assegure uma circulação de ar suficiente para o forno.

Utilização na bancada:

- a. Reserve um espaço de 15 cm na parte de cima do forno, 10 cm na parte posterior e 5 cm num dos lados. O outro lado deve ter uma área disponível mínima de 40 cm.
- b. Se um dos lados do forno ficar encostado a uma parede, o outro lado ou a parte de cima não devem estar tapados.



4. Não coloque o forno perto de um fogão a gás.
5. Os pés do forno não devem ser retirados.
6. Este forno é só para uso doméstico. Não o use no exterior.
7. Evite a utilização do micro-ondas em ambientes de humidade elevada.
8. O cabo de corrente não deve estar em contacto com o exterior do forno. Afaste o cabo de superfícies quentes. Não deixe o cabo pendurado na margem de uma mesa ou bancada. Não mergulhe em água o cabo, a ficha ou o forno.
9. Não tape as saídas de ar na parte de cima e na parte posterior do forno. Se estas saídas forem tapadas durante o funcionamento, o forno pode aquecer em demasia. Neste caso, o forno será protegido por um mecanismo de segurança térmica e retomará o funcionamento, depois de ter arrefecido.

Instalação e ligação

ATENÇÃO

Informações importantes de segurança

1. A selagem da porta e a sua área devem ser limpas com um pano húmido.

O aparelho deve ser inspeccionado para detectar danos na selagem da porta e na sua área, e se esta área estiver danificada, o aparelho não deve ser utilizado até ser reparado por um técnico de assistência formado pelo fabricante.

2. Não tente manipular ou fazer ajustes ou reparações na porta, no compartimento do painel de comandos, nos interruptores de fecho de segurança ou em qualquer outra parte do forno. Não retire o painel exterior do forno que protege da exposição à energia de microondas. As reparações só devem ser feitas por um técnico de assistência qualificado.
3. Não utilize este aparelho se o CABO OU A FICHA DO CABO ESTIVEREM DANIFICADOS, se não estiver a funcionar bem, ou se caiu. É perigoso, tentar reparar o forno, pelo que só deverá fazê-lo um técnico qualificado.

4. Se o cabo de alimentação estiver danificado, deve ser substituído pelo fabricante ou revendedor, ou alguém qualificado para o efeito, de modo a evitar situações de risco.
5. Apenas permita a utilização do forno por crianças, sem qualquer supervisão, quando tiverem sido dadas instruções adequadas, para que a criança seja capaz de utilizar o forno de um modo seguro e que compreenda os perigos de uma utilização inadequada.
6. Os líquidos e outros alimentos não devem ser aquecidos em recipientes fechados, dada a sua propensão para explodirem.
7. Este aparelho não se destina a utilização por indivíduos (incluindo crianças) com deficiências físicas, sensoriais ou mentais, ou com falta de experiência e conhecimentos, a menos que estejam sob a supervisão ou tenham recebido instruções quanto à utilização do aparelho por um responsável pela respectiva segurança.

As crianças devem ser supervisionadas para garantir que não brincam com o aparelho.

Instruções de segurança

Utilização do forno

1. Não se o forno para outros efeitos que não a preparação de alimentos. Este forno destina-se a aquecer ou a cozinhar alimentos. Não utilize este forno para aquecer produtos químicos ou outros produtos que não sejam alimentos.
2. Antes de utilizar, verifique se os utensílios/recipientes são adequados para a utilização em micro-ondas.
3. Não tente utilizar este micro-ondas para secar jornais, roupas ou outros materiais. Existe a possibilidade de se incendiarem.
4. Quando o forno não estiver a ser utilizado, não guarde objectos que não sejam acessórios do forno, no seu interior, devido ao perigo do forno poder ser ligado acidentalmente.
5. O aparelho não deve ser utilizado com MICRO-ONDAS SEM ALIMENTOS NO INTERIOR. Este tipo de funcionamento pode danificar o aparelho.
6. Se ocorrer fumo ou fogo no forno, prima a tecla PARAGEM/CANCELAMENTO ou regule o TEMPORIZADOR para ZERO e mantenha a porta fechada. Desligue a ficha da tomada eléctrica ou corte o circuito eléctrico.

Luz do forno

Quando necessitar de substituir a luz do forno, consulte por favor o seu distribuidor.

Acessórios

O forno vem equipado com uma série de acessórios. Siga sempre as indicações dadas para a utilização dos acessórios.

Prato de vidro

1. Não utilize o forno sem o aro de rodas e o prato de vidro instalados.
2. Nunca utilize outro tipo de prato giratório de forno diferente da que foi especialmente concebido para este forno.
3. Se o prato giratório de vidro estiver quente, deixe-o arrefecer e passe-o por água para o limpar.
4. O prato de vidro pode rodar em qualquer direcção.
5. Se os alimentos ou o recipiente de cozinha tocarem nas paredes do forno e o tabuleiro parar de rodar, este irá começar a rodar na direcção oposta. Isto é normal.
6. Não cozinhe alimentos directamente no prato.

Aro de rodas

1. O aro de rodas e a superfície inferior do forno devem ser limpos frequentemente para impedir ruídos e a acumulação de restos de alimentos.
2. O aro de rodas e o prato de vidro devem ser utilizados na preparação de alimentos em todas as circunstâncias.

Informações Importantes

1. Tempos de Cozedura

O tempo de cozedura depende da condição, temperatura, quantidade de alimento e do tipo de utensílios de cozinha.

Comece pelo tempo de cozedura mais curto, para ajudar a evitar que os alimentos fiquem cozidos demais. Se os alimentos não esti-verem suficientemente cozidos, pode sempre cozê-los durante mais algum tempo.

Nota: Se os tempos de cozedura recomendados forem excedidos, os alimentos estragam-se e, em circunstâncias extremas, podem incendiar-se e danificar a cuba do forno.

2. Pequenas Quantidades de Alimentos

Pequenas quantidades de alimentos ou alimentos com um conteúdo de baixa humidade podem queimar-se, secar ou incendiarse, se forem cozidos durante muito tempo. Se os materiais no interior se incendiarem, mantenha a porta do forno fechada, desligue o forno e retire a ficha da tomada.

3. Ovos

Não cozinhe ovos com casca em modo de MICRO-ONDAS. Sempre que houver acumulação de pressão, os ovos podem rebentar, mesmo que o processo de aquecimento das microondas já tenha terminado.

4. Picar as Cascas

Alimentos porosos, tais como batatas, ovos e salsichas devem ser picados antes de os cozinhar em modo MICROONDAS, para não se incendiarem.

5. Termómetro para Carne

Utilize um termómetro para carne, para verificar o grau de cozedura de assados e aves, apenas quando a carne tiver sido retirada do forno. Não utilize um termómetro para carne convencional quando utilizar MICROONDAS, porque pode originar faíscas.

6. Líquidos

Quando se aquecem líquidos, p. ex. sopa, molhos e bebidas no seu micro-ondas, pode ocorrer a fervura do líquido sem o surgimento das bolhas habituais. Isto pode resultar num derramamento súbito do líquido quente, devido à fervura. Para evitar esta possibilidade devem seguir-se estes passos:

- Evite utilizar recipientes facetados e estreitos.
- Não aqueça em demasia.
- Agite o líquido antes de colocar o recipiente no forno e faça-o novamente a meio do aquecimento.
- Após o aquecimento, deixe-o permanecer no forno durante alguns instantes, agite-o novamente antes de retirar, com cuidado, o recipiente.

7. Papel/Plástico

Quando aquecer alimentos em recipientes de plástico ou papel, verifique o forno com frequência, uma vez que este tipo de recipientes incendiam-se se forem aquecidos durante demasiado tempo.

Não utilize produtos de papel reciclado (p. ex. rolo de papel de cozinha), a não ser que, na etiqueta do produto de papel, esteja indicado que o produto é seguro para uma utilização em micro-ondas. Os produtos de papel reciclado podem conter impurezas que podem provocar faíscas e/ou incêndios, durante a sua utilização.

Retire os anéis metálicos dos sacos para assar antes de colocar os sacos no micro-ondas.

8. Utensílios/Metals

Não aqueça latas ou garrafas fechadas, porque podem explodir.

Não devem ser utilizados recipientes metálicos ou pratos com rebordo metálico durante a cozedura por Micro-ondas. Nestas situações, surgem faíscas.

Se utilizar folha de alumínio, espetos para carne ou utensílios de metal, deve mantê-los a uma distância mínima de 2 cm das paredes e da porta do forno, de modo a evitar a ocorrência de faíscas.

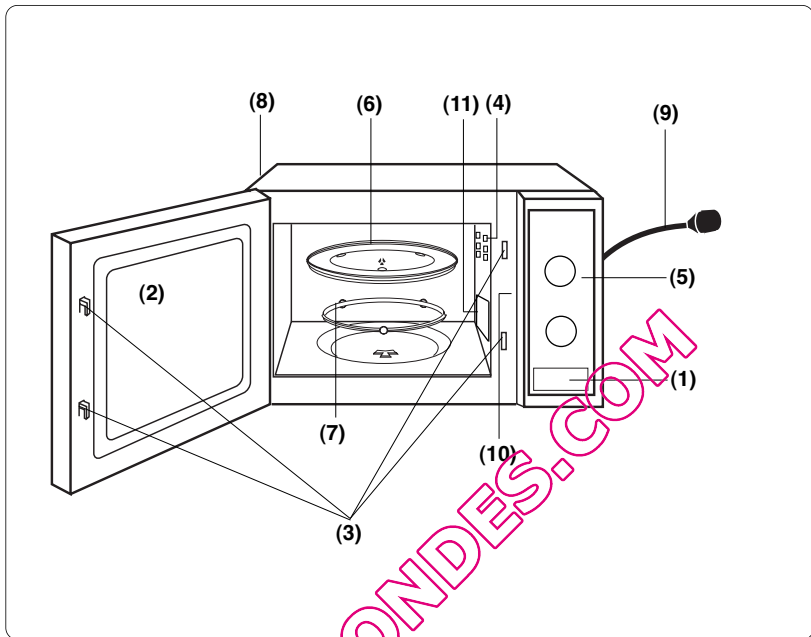
9. Biberões/Frascos de Comida para Bebés

O topo e a tina ou tampa devem ser retirados dos biberões e dos frascos de comida para bebés, antes de serem colocados no forno.

O conteúdo dos biberões e dos frascos de comida para bebés deve ser mexido ou agitado.

A temperatura deve ser verificada antes do consumo, para evitar queimaduras.

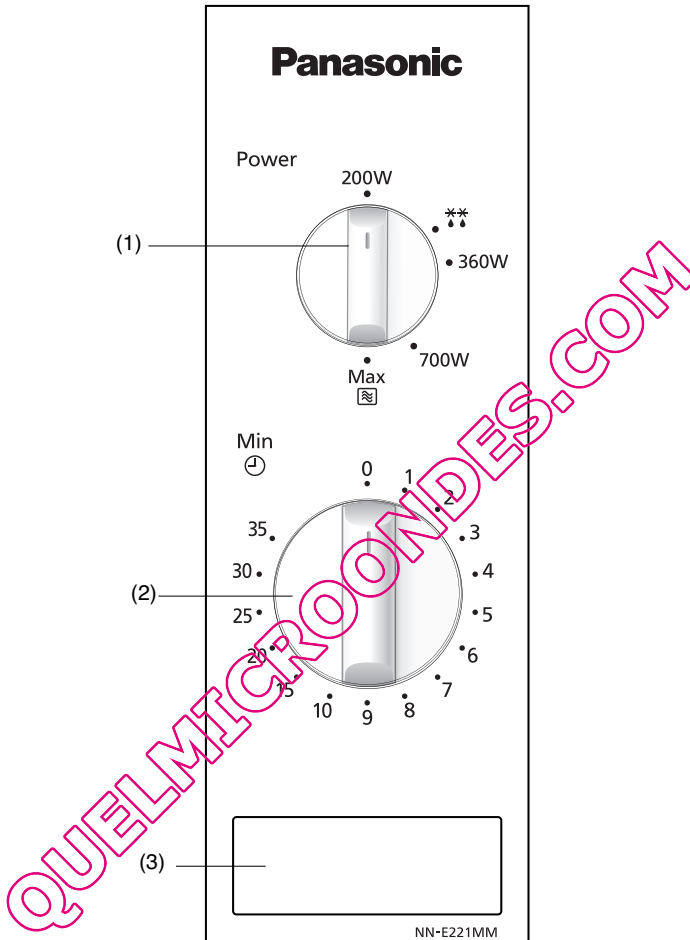
Esquema dos Componentes



- (1) **Botão de Abertura da Porta**
este pára temporariamente sem anular as definições inicialmente feitas. O funcionamento é retomado assim que a porta for fechada.
- (2) **Janela transparente do forno**
- (3) **Sistema de fechos de segurança da porta**
- (4) **Aberturas de ventilação do forno**
- (5) **Painel de comando**
- (6) **Prato giratório de vidro**
- (7) **Aro de rodagem**
- (8) **Ventiladores externos do forno**
- (9) **Cabo de alimentação**
- (10) **Identification label**
- (11) **Guia de alimentação do forno microondas (Não remover)**

Painéis de comando

NN-E201WM / NN-E221MM *

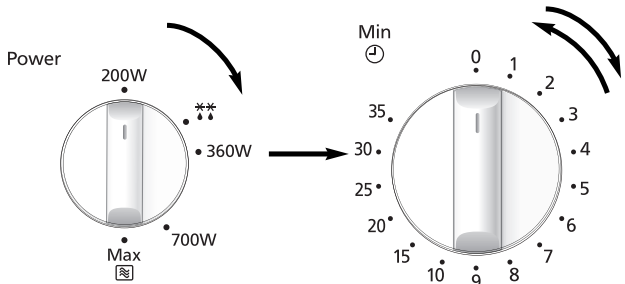


- (1) Comando de selecção de potência / Descongelação
- (2) Temporizador
- (3) Comando de abertura da porta

*Nota: O desenho do seu painel de controlo poderá variar do painel acima mencionado (apenas na cor), mas as funções são as mesmas.

Cozinhar com o Microondas

Potência em Watts	
Alto	800 Watts
Médio	700 Watts
Baixo	360 Watts
Descongelamento	270 Watts
Quente	200 Watts



- Rode o comando para seleccionar o nível de potência.

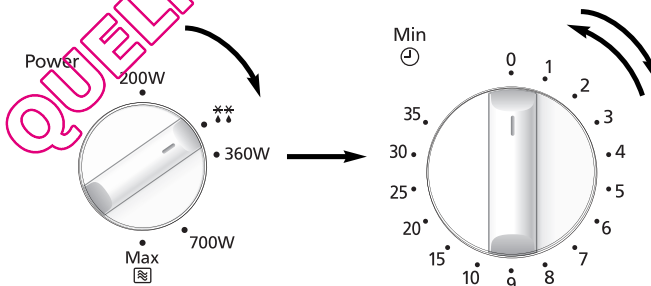
- Defina o tempo de cozedura rodando o temporizador. Se a porta já estiver fechada o tempo de cozedura inicia-se de imediato. Para tempos de cozedura mais pequenos, rode sempre o temporizador para a posição de 2 minutos e depois regule para o tempo necessário.

Nota:

1. Se quiser verificar os alimentos durante a cozedura basta abrir a porta. O forno interrompe automaticamente a cozedura. Para reiniciar a cozedura feche a porta.
2. Para parar a cozedura, rode o comando giratório para a posição ZERO (Desligado). O tempo de cozedura pode ser reposto a qualquer momento durante o ciclo de cozedura rodando o comando do temporizador.
3. Quando os alimentos são retirados do forno, depois de concluída a cozedura, verifique se o temporizador está na posição zero.
4. O prato giratório de vidro deve estar sempre colocado quando estiver a utilizar o forno.

Descongelamento

** A potência de descongelamento é de 270 Watts.

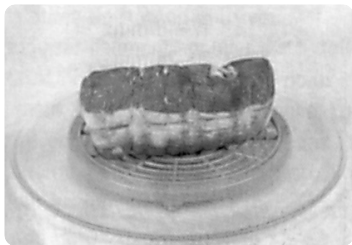


- Selecciona a potência de descongelamento rodando o comando.

- Defina o tempo de descongelamento rodando o temporizador. Se a porta já estiver fechada o tempo de cozedura inicia-se de imediato. Para tempos de cozedura mais pequenos, rode sempre o temporizador para a posição de 2 minutos e depois regule para o tempo necessário.

Guia de descongelação

Sugestões para a descongelar



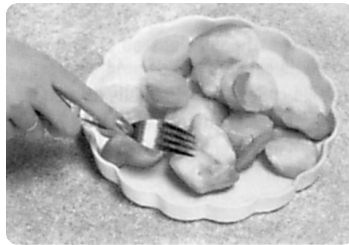
Tempos de espera

As doses individuais devem ser cozinhadas quase imediatamente após a descongelação. É normal que grandes porções de carne permaneçam congeladas no meio. Nestes casos é aconselhável que, antes de cozinhar, deixe a carne descongelar durante, pelo menos, **uma hora**. Durante o tempo de espera, a temperatura distribui-se equitativamente pelos alimentos e estes descongelam por condução. Muito importante: Se não prevê consumir os alimentos imediatamente a seguir à descongelação, guarde-os no frigorífico. Nunca volte a congelar alimentos sem os cozinhar primeiro.



Pedaços e aves

É aconselhável colocar as porções sobre um prato ou sobre uma travessa em pirex com o fundo virado para cima, para que a carne não fique a repousar no próprio suco. É essencial envolver as partes mais delicadas ou salientes destes alimentos em folha de alumínio para que estas não torrem. O alumínio pode ir ao Micro-Ondas sem perigo, **desde que se evite que este toque na resistência**.



Carne picada ou cubos de carne e mariscos

Deve separar-se estes alimentos, cortá-los durante o período de descongelação e, uma vez descongelados, separar os pedaços, pois a parte exterior destes alimentos tende a descongelar rapidamente.



Pequenos pedaços de alimentos

Deve separar-se as costeletas bem como as partes de frango, para que estas descongelem equitativamente. Lembre-se que as partes gordas e as extremidades descongelam sempre mais rapidamente. Por isso, deverá colocá-las o mais próximo possível do centro do prato rotativo por forma a protegê-las.

Pão

As porções de pão necessitam de um intervalo de tempo maior que permita que o centro descongele. O intervalo de tempo pode ser diminuído se as fatias forem separadas e as porções cortadas ao meio.

Perguntas e respostas

- P:** Porque motivo o forno não liga?
- R:** Quando o forno não se ligar, faça as seguintes verificações:
1. O forno está ligado em segurança? Retire a ficha da tomada, aguarde 10 segundos e volte a inserir.
 2. Verifique o disjuntor e os fusíveis. Reponha o disjuntor e substitua algum fusível, quando este estiver danificado ou fundido.
 3. Se não houver problemas com o disjuntor ou com os fusíveis, ligue outro aparelho na tomada. Se o outro aparelho funcionar, é provável que haja um problema com o forno. Se o outro aparelho não funcionar, é provável que haja um problema com a tomada. Se achar que o forno tem um problema, contacte um Centro de Assistência autorizado.
- P:** O Micro-Ondas causa interferências com a televisão. Isso é normal?
- R:** Podem ocorrer algumas interferências no rádio e na televisão quando cozinhar com o Micro-Ondas. Esta interferência é semelhante à interferência causada por pequenos aparelhos, tais como batedeiras, aspiradores, secadores de cabelo, etc. Isso não é indicativo de um problema com o Micro-Ondas.
- P:** Porque é que a luz do forno diminui de intensidade?
- R:** Quando o forno não está a cozer com uma potência de 800W (potência ALTA), o forno precisa de funcionar por ciclos para acertar com os níveis de potência mais baixos. A luz do forno diminui de intensidade e ouvem-se estalidos quando o forno está mudar de ciclos.
- P:** Por vezes sai ar quente das saídas de ar do forno. Porquê?
- R:** O calor libertado da comida, que está a ser cozida, aquece o ar na cuba do forno. Este ar aquecido é expulso do forno pelo padrão de fluxo de ar no forno. Não existem Micro-Ondas no ar. As saídas de ar do forno nunca devem estar tapadas durante a funcionamento.

Cuidados a ter com o forno

1. Desligue o forno antes de o limpar.
2. Mantenha o interior do forno, fechos das portas e outras áreas limpas. Quando alimentos ou líquidos aderirem às paredes do forno e outras áreas, limpe com um pano humedecido. Pode usar detergente neutro se as áreas estiverem muito sujas. O uso de detergentes agressivos ou produtos abrasivos não é indicado.
NÃO UTILIZE PRODUTOS COMERCIAIS DE LIMPEZA DE FORNOS.
3. A superfície exterior do forno deve ser limpa com um pano húmido. Para prevenir avarias nas peças internas, não deve entrar água para as aberturas de ventilação.
4. Se o painel de comandos ficar sujo, limpe-o com um pano suave e seco. Não utilize detergentes agressivos ou abrasivos no painel de comandos. Quando limpar o painel de comandos, mantenha a porta do forno aberta para evitar que o forno se ligue acidentalmente. Depois da limpeza concluída, prima o COMANDO DE PARAGEM/ CANCELAMENTO de forma a apagar as informações do visor ou rode o TEMPO-RIZADOR para a posição zero.
5. Se houver uma acumulação de vapor no interior ou à volta do exterior da porta do forno, limpe com um pano suave. Isto pode ocorrer quando o micro-ondas estiver a funcionar em condições de humidade elevada e não é, de modo algum, indicativo de uma avaria no aparelho.
6. É necessário ocasionalmente retirar o prato de vidro para o limpar. Lave-o com água, com detergente diluído, ou na sua máquina de lavar a louça.
7. O aro de rodas e a superfície inferior do forno devem ser limpas regularmente para evitar ruídos excessivos. Basta limpar a superfície inferior do forno com um detergente suave e água quente e depois secar com um pano limpo. O aro de rodas pode ser lavado em água com sabão suave. Os vapores dos cozinhados acumulam-se ao fim de uma utilização repetida, mas não afecta de forma alguma a superfície inferior nem os rodízios do aro de rodas. Depois de retirar o aro de rodas da superfície inferior para limpar, certifique-se de que o instala novamente na posição adequada.
8. Este forno só deve ser reparado por pessoal qualificado. Para a manutenção e reparação do forno, contacte o distribuidor autorizado mais próximo.
9. Não deve usar aspirador a vapor para a limpeza.
10. Deve proceder à limpeza regular do forno, uma vez que a não observação desta recomendação pode provocar a deterioração das suas superfícies, reduzindo o período de vida útil do aparelho e originando situações perigosas.
11. Mantenha as saídas de ar sempre desobstruídas. Certifique-se que não existe poeira ou outros materiais a obstruir as saídas de ar existentes nas partes superior, inferior ou posterior do forno. A obstrução das saídas de ar pode provocar sobreaquecimento e o consequente mau funcionamento do aparelho.
12. Não utilize produtos de limpeza abrasivos ou raspadores de limpeza metálicos afiados para limpar o vidro da porta do forno, visto que poderão riscar a superfície e resultar no estilhaçamento do vidro.

Especificações técnicas

Fonte de Energia:	230 V ~ 50 Hz	
Consumo de Energia:	Micro-ondas;	1250 W
Saída:	Micro-ondas;	800 W (IEC-60705)
Dimensões Exteriores:		443 (L) x 340 (P) x 258 (A) mm
Dimensões da Cuba do Forno		306 (L) x 308 (P) x 215 (A) mm
Peso Desembalado:		10.5 kg
Ruído:		46dB

As especificações estão sujeitas a alterações sem aviso prévio.

Este produto é um equipamento que cumpre a norma Europeia para Interferências EMC (EMC= Compatibilidade Electromagnética) EN 55011. De acordo com esta norma, este produto é um equipamento do Grupo 2, Classe B e está dentro dos limites requeridos. O Grupo 2 significa que a energia de rádio frequência é produzida intencionalmente na forma de irradiação electromagnética para aquecimento e cozinhar de alimentos. A Classe B significa que este produto pode ser utilizado para uso doméstico.



Informações para os utilizadores sobre eliminação de resíduos de equipamentos eléctricos e electrónicos (uso doméstico)

Este símbolo nos produtos e/ou documentos anexos indica que os produtos eléctricos e electrónicos não devem ser misturados com o lixo doméstico geral.

Para um tratamento, recuperação e reciclagem adequados, leve estes produtos a pontos de recolha designados, onde serão aceites gratuitamente. Em alternativa, em alguns países, será possível devolver os produtos ao seu vendedor local mediante a aquisição de um produto novo equivalente.

A correcta eliminação deste produto ajudará a poupar valiosos recursos e a impedir potenciais efeitos negativos para a saúde humana e para o ambiente que, de outra forma, poderiam resultar de um tratamento inadequado dos resíduos. Queira contactar a sua autoridade local para mais detalhes sobre o seu ponto de recolha designado mais próximo. Em conformidade com a legislação nacional, poderão ser aplicáveis coimas em caso de eliminação incorrecta destes resíduos.

Para utilizadores profissionais na União Europeia

Caso pretenda eliminar equipamento eléctrico e electrónico, queira contactar o seu distribuidor ou fornecedor para mais informações.

Informações sobre eliminação noutros países fora da União Europeia

Este símbolo só é válido na União Europeia.

Caso pretenda eliminar o produto, queira contactar as suas autoridades locais ou distribuidor e informe-se sobre o método de eliminação correcto.

Em conformidade com a directiva EMC 2004/108/EC, artigo 9(2):-

Centro de Testes Panasonic

Panasonic Service Europe, uma divisão da Panasonic Marketing Europe GmbH

Winsbergring 15, 22525 Hamburgo, F.R. Alemanha.

Fabricado para a Panasonic Corporation pela GMMEAM

N.º 6 Yong An RD, Beijiao, Shunde, Foshan, Guangdong, República Popular da China.

QUELMICROONDES.COM

Ustawianie i podłączanie kuchenki mikrofalowej

Sprawdź kuchenkę mikrofalową

Rozpakuj urządzenie i sprawdź czy nie ma widocznych uszkodzeń, jak na przykład wgniecenń, wyłamanych rygli drzwiczek albo zarysowań drzwiczek. Jeśli urządzenie jest uszkodzone, skontaktuj się natychmiast z punktem sprzedaży. Nie instaluj uszkodzonego urządzenia.

Przepisy dotyczące uziemienia

WAŻNE: DLA OSOBISTEGO BEZPIECZEŃSTWA, URZĄDZENIE TO MUSI BYĆ PRAWIDŁOWO UZIEMIONE.

Jeśli gniazdko sieciowe nie posiada uziemienia, klient musi, we własnym zakresie, wymienić je na gniazdko prawidłowo uziemione.

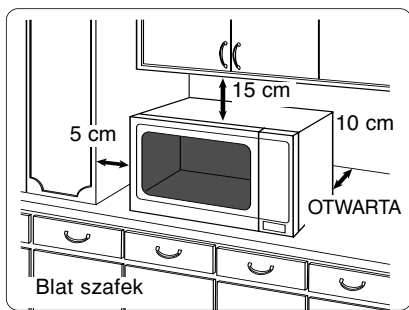
Napięcie zasilające

Napięcie sieciowe musi odpowiadać napięciu zasilania podanemu na tabliczce znamionowej kuchenki mikrofalowej. Podłączenie urządzenia do sieci o wyższym napięciu może spowodować pożar lub inne uszkodzenie.

Ustawianie kuchenki

Kuchenkę mikrofalową należy umieścić na blacie kuchennym. Kuchenka nie jest przeznaczona do zabudowy lub użytkowania w szafce.

1. Umieść kuchenkę mikrofalową na płaskim i stabilnym podłożu, co najmniej 85 cm ponad podłogą.
2. Kuchenka powinna być ustawiona tak, aby można ją było łatwo odłączyć od zasilania, poprzez wyciągnięcie wtyczki lub wyłączenie bezpiecznika.



3. Do prawidłowego działania, kuchenka musi mieć zapewnioną dobrą wentylację.
Ustawienie między szafkami:
 - a. Pozostaw 15 cm wolnej przestrzeni nad kuchenką, 10 cm z tyłu i 5 cm z jednego boku, a strona przeciwna musi być otwarta na ponad 40 cm.
 - b. Jeśli kuchenka jest przysunięta jednym bokiem do ściany, wtedy druga strona musi być całkowicie otwarta.
4. Nie ustawiaj kuchenki w pobliżu kuchni gazowej ani kuchni elektrycznej.
5. Nie wolno demontować nóżek kuchenki.
6. Kuchenka przeznaczona jest wyłącznie do użytku domowego. Nie używaj jej na zewnątrz.
7. Unikaj używania kuchenki mikrofalowej w pomieszczeniach, w których panuje duża wilgotność.
8. Kabel sieciowy nie powinien dotykać powierzchni obudowy urządzenia. Kabel powinien przebiegać z dala od rozgrzewających się powierzchni. Nie dopuszczaj do tego, aby kabel zwiisał ze stołu lub z blatu. Nie zanurzaj kabla, wtyczki, ani kuchenki w wodzie.
9. Nie zasłaniaj otworów wentylacyjnych znajdujących się na górze i z tyłu kuchenki. Jeśli podczas pracy kuchenki otwory te zostaną zakryte, kuchenka może się przegrzać. W tym przypadku, kuchenka jest chroniona przez układ zabezpieczający przed nadmierną temperaturą, który wznowi pracę kuchenki dopiero po jej ostygnięciu.
10. Kuchenka nie jest wyposażona w zdalne sterowanie ani czasomierz zewnętrzny.

Ustawianie i podłączanie kuchenki mikrofalowej

OSTRZEŻENIE

Ważne informacje dot. bezpieczeństwa użytkownika

1. Uszczelki drzwi i miejsca przyległe do uszczelki należy czyścić zwilżoną ściereczką. Kuchenka mikrofalowa winna być sprawdzana pod kątem uszkodzeń uszczelki drzwi oraz powierzchni przylegających do nich i jeśli te powierzchnie są uszkodzone, urządzenie nie powinno być używane do czasu naprawy, wyłącznie, przez wykwalifikowany personel autoryzowanego punktu serwisowego firmy Panasonic.
2. Nie próbuj regulować lub naprawiać drzwiczek, obudowy panelu sterowania, przełączników zabezpieczeń wyłączających lub jakiegokolwiek innej części kuchenki. Nie usuwaj zewnętrznej płyty z kuchenki, gdyż daje ona zabezpieczenie przed przenikaniem energii mikrofal. Naprawy powinny być wykonywane wyłącznie przez wykwalifikowany personel punktu serwisowego.
3. Nie używaj tego urządzenia, gdy ma uszkodzony kabel sieciowy lub wtyczkę, jeśli nie pracuje prawidłowo, lub gdy zostało uszkodzone lub upuszczone. W takich przypadkach, urządzenie powinno być naprawiane wyłącznie przez wykwalifikowany personel punktu serwisowego.
4. W razie uszkodzenia kabla zasilającego, dla uniknięcia niebezpieczeństwa porażenia, musi on zostać wymieniony przez producenta lub jego agenta serwisowego lub inną wykwalifikowaną osobę.
5. Samodzielne i bezpieczne korzystanie z kuchenki przez dzieci jest możliwe tylko wtedy, gdy zostały one nauczone jak ją obsługiwać, oraz gdy są świadome jak niebezpieczne może być nieprawidłowe korzystanie z kuchenki.
6. Płynów lub innego rodzaju żywności nie wolno podgrzewać w zamkniętych pojemnikach, gdyż grozi to wybuchem.
7. To urządzenie nie jest przeznaczone do użytku przez osoby (w tym dzieci) o ograniczonych możliwościach fizycznych lub umysłowych, przez osoby niedoświadczone lub o niewystarczającej wiedzy, chyba że zostały poinstruowane w zakresie obsługi urządzenia przez osobę odpowiedzialną za ich bezpieczeństwo, bądź korzystają z urządzenia pod jej nadzorem. Należy uniemożliwić dzieciom zabawę kuchenką.

Zalecenia dotyczące bezpieczeństwa

Korzystanie z kuchenki

1. Nie używaj kuchenki do jakiegokolwiek innego celu niż przygotowywania posiłków. Kuchenka ta została specjalnie zaprojektowana do podgrzewania lub gotowania żywności. Nie używaj jej do podgrzewania chemikaliów lub innych produktów nieżywnościowych.
2. Przed użyciem, sprawdź czy naczynia/pojemniki są odpowiednie do używania w kuchenke mikrofalowej.
3. Nie próbuj używać kuchenki mikrofalowej do suszenia gazet, ubrań ani innych materiałów, gdyż mogłyby się zapalić.
4. Gdy kuchenka nie jest używana, nie przechowuj w jej wnętrzu jakichkolwiek przedmiotów, innych niż akcesoria, gdyż w przypadku włączenia urządzenia, mogłyby spowodować zagrożenie.
5. Nie należy włączać kuchenki mikrofalowej w trybie MIKROFAL BEZ ŻYWNOSCI W KUCENCIE. Ten sposób użytkowania może doprowadzić do uszkodzenia urządzenia.
6. Jeżeli w piecyku pojawi się dym lub ogień naciśnij przycisk STOP/ANULUJ lub obróć pokrętkę WYŁĄCZNIK CZASOWY wiał z powrotem na pozycję zerową i pozostaw drzwiczki zamknięte. Wyłącz kabel zasilający z kontaktu lub odłącz zasilanie przy pomocy bezpiecznika albo bezpiecznika automatycznego.

Oświetlenie kuchenki

Kiedy zajdzie konieczność wymiany oświetlenia kuchenki, skontaktuj się z autoryzowanym punktem serwisowym.

Aksesoria

Kuchenka wyposażona jest w szereg akcesoriów. Zawsze postępuj zgodnie ze wskazówkami dotyczącymi użycia tych akcesoriów.

Szklany talerz obrotowy

1. Nie należy włączać kuchenki bez pierścienia obrotowego i szklanego talerza obrotowego.
2. Nigdy nie używaj innego talerza szklanego niż dostarczony i specjalnie zaprojektowany do tej kuchenki.
3. Jeśli talerz jest gorący, pozwól mu ostygnąć przed czyszczeniem lub włożeniem do wody.
4. Talerz szklany może obracać się zarówno w prawo jak i w lewo.
5. Jeśli żywność lub naczynie, w którym gotujesz żywność, dotknie ścianki kuchenki i zatrzyma obracanie się talerza, wtedy talerz zacznie automatycznie obracać się w stronę przeciwną. Jest to normalny objaw pracy.
6. Nie gotuj żywności bezpośrednio na szklanym talerzu.

Pierścień obrotowy

1. Pierścień obrotowy oraz wnętrze kuchenki należy regularnie czyścić, aby zapobiec odgłosom pracy pierścienia i gromadzenia się resztek pożywienia.
2. Należy zawsze używać pierścienia obrotowego oraz szklanego talerza obrotowego.

Informacje ważne

1) Czasy gotowania

Czasy gotowania podane w książce kucharskiej są wartościami przybliżonymi. Czas gotowania zależy od rodzaju żywności, temperatury i ilości żywności oraz rodzaju naczynia.

Rozpocznij od minimalnego czasu gotowania, aby uniknąć rozgotowania potrawy. Jeśli potrawa będzie niedogotowana, zawsze możesz dogotować ją, ponownie ustawiając parametry.

UWAGA: Jeżeli przekroczysz zalecany czas gotowania, żywność zostanie zniszczona (spieczona), a w ekstremalnym przypadku może się zapalić i spowodować uszkodzenie wnętrza kuchenki.

2) Małe ilości żywności

Małe porcje żywności lub potraw zawierające mało wody mogą się przypalić, wyschnąć lub nawet zapalić się, jeśli będą gotowane zbyt długo. Jeśli żywność w kuchenie zapali się, pozostaw drzwiczki kuchenki zamknięte, wyłącz kuchenkę i wyjmij wtyczkę z gniazdka.

3) Jajka

Nie gotuj jajek w skorupkach w trybie MIKROFAL. Nawet jeżeli podgrzewanie przy pomocy mikrofal jest zakończone, wytwarzane ciśnienie może powodować, że jajka eksplodują.

4) Przebijanie skórki

Produkty z pozbawioną porów skórką, takie jak ziemniaki, żółtka jajek i kielbaski muszą być przekłute przed gotowaniem w trybie MIKROFAL, aby nie uległy rozerwaniu.

5) Termometr do mięsa

Używaj termometru do mięsa, aby sprawdzić stopień ugotowania pieczenia lub drobiu dopiero po wyjęciu mięsa z kuchenki. Nie używaj do mięsa zwykłego termometru, w trybie MIKROFAL, gdyż mogłoby to spowodować iskrzenie.

6) Płynny

Podczas podgrzewania płynów, np. zup, sosów i napojów, w kuchenie mikrofalowej może dojść do przegrzania cieczy, to znaczy do przekroczenia temperatury wrzenia bez powstawania pęcherzyków pary. Może to doprowadzić do nagłego wyrzucenia gorącej cieczy. Aby uniknąć tego niebezpieczeństwa, należy przedsięwziąć następujące środki ostrożności:

- Unikaj stosowania naczyń o płaskich ściankach z wąską szyjką.
- Nie przegrzewaj płynów.

- Wymieszaj ciecz przed włożeniem naczynia do kuchenki i ponownie po upływie połowy czasu gotowania.

- Po podgrzaniu, pozostaw naczynie z płynem w kuchenie na krótki czas, a następnie wymieszaj jeszcze raz, zanim ostrożnie wyjmiesz naczynie.

7) Papier/plastik

Gotując żywność w plastikowych lub papierowych pojemnikach, sprawdzaj często kuchenkę, gdyż tego typu pojemniki mogą zapalić się, o ile zostaną nadmiernie rozgrzane.

Nie używaj wyrobów papierniczych z wtórnego przerobu (np. ręczników kuchennych), chyba że na takim wyrobie jest naklejka informująca, że produkt można bezpiecznie używać w kuchenke mikrofalowej. Wyroby papiernicze z wtórnego przerobu mogą zawierać zanieczyszczenia, które mogą być przyczyną zaiskrzenia lub ognia podczas korzystania z kuchenki.

Przed włożeniem do kuchenki torebek do prażenia, usun z nich wykonane z drutu zapinki.

8) Naczynia/folie

Nie ogrzewaj w kuchenie żadnych zamkniętych puszek, ani butelek, ponieważ mogłyby eksplodować.

Metalowe pojemniki oraz naczynia z metalowymi ozdobami nie powinny być używane podczas gotowania w trybie MIKROFAL. Mogłoby to spowodować iskrzenie.

Jeśli użyjesz folii aluminiowej, szpilek do mięsa lub innych metalowych elementów, odległość między nimi, a ściankami i drzwiczkami kuchenki powinna wynosić przynajmniej 2 cm, aby nie doszło do iskrzenia.

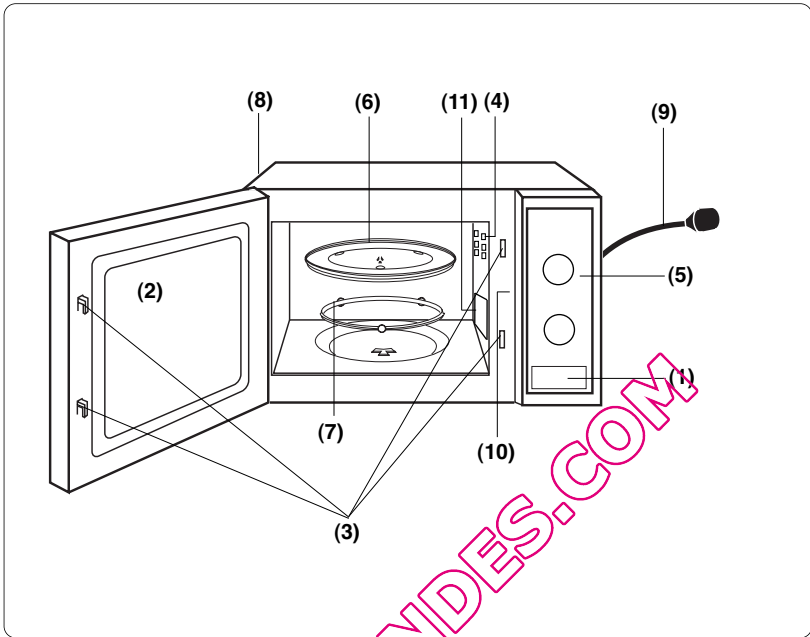
9) Butelki do karmienia/słoiczki z żywnością dla niemowląt

Nakrętka lub smoczek muszą być zdjęte z butelek do karmienia lub słoiczek z żywnością dla niemowląt przed włożeniem ich do kuchenki.

Zawartość butelek i słoiczek z żywnością dla niemowląt po ogrzaniu musi być wymieszana lub wstrząśnięta.

Przed podaniem żywności należy sprawdzić jej temperaturę, aby uniknąć poparzenia.

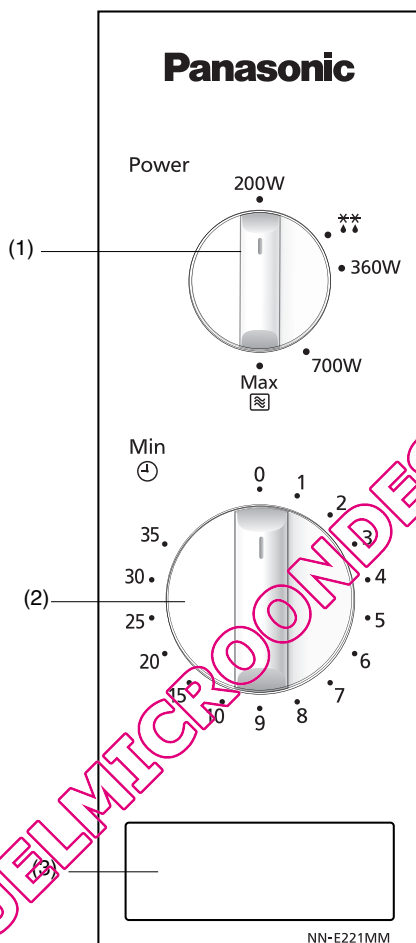
Wygląd zewnętrzny



- (1) **Przycisk otwierania drzwiczek**
Naciśnij w celu otwarcia drzwiczek. W razie otwarcia drzwiczek w czasie gotowania, proces gotowania zostaje tymczasowo wstrzymany bez kasowania wcześniej wprowadzonych ustawień. Gotowanie zostaje wznowione natychmiast po zamknięciu drzwiczek.
- (2) **Okienko kuchenki**
- (3) **System blokady zabezpieczającej drzwi**
- (4) **Otwór wentylacyjny kuchenki**
- (5) **Panel sterowania**
- (6) **Szklany talerz obrotowy**
- (7) **Pierścień obrotowy**
- (8) **Zewnętrzne otwory wentylacyjne**
- (9) **Kabel zasilający**
- (10) **Etykieta identyfikacyjna**
- (11) **Ostona wylotu mikrofal (Nie zdejmować)**

Panele kontrolne

NN-E201WM / NN-E221MM *

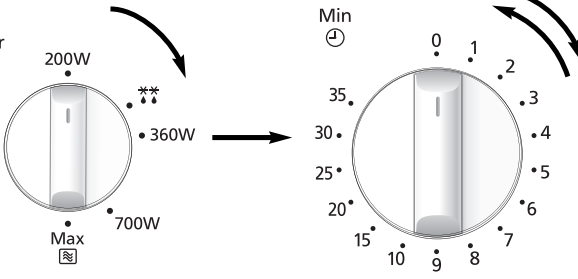


- (1) Pokrętko wyboru moc mikrofal/
rozmrężanie
- (2) Pokrętko ustawiania czasu-timer
- (3) Przycisk otwierania drzwiczek

*Uwaga: Wygląd panelu może się różnić od prezentowanego (zależnie od koloru) ale funkcje przycisków pozostają takie same.

Gotowanie w kuchenkach mikrofalowych

	Moc w Watach	Power
Duża	800 Watów	200W
Średnia	700 Watów	360W
Niska	360 Watów	700W
Rozmrażanie	270 Watów	Max
Utrzymywanie ciepła	200 Watów	



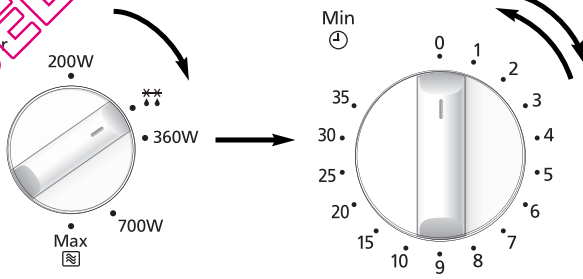
- Obróć pokrętko, aby wybrać odpowiednią moc.
- Czas gotowania ustawia się obrotem pokrętki. Jeżeli drzwiczki są w tym momencie zamknięte, gotowanie rozpocznie się natychmiast. Przy krótkich gotowaniach należy zawsze czas nastawiać na 2 min, a potem dodawać w miarę potrzeby.

Uwaga:

1. Jeżeli chcesz sprawdzić stan gotowanej potrawy, po prostu otwórz drzwiczki. Kuchenka automatycznie wstrzyma gotowanie. Zamknięcie drzwiczek wznowi gotowanie.
2. Aby zakończyć gotowanie należy obrócić pokrętko ustawiania czasu w położenie WYŁ. Czas gotowania można zmienić w każdym momencie procesu gotowania przez obrócenie pokrętki.
3. Po wyjęciu potrawy po zakończeniu gotowania należy sprawdzić czy pokrętko ustawiania czasu znajduje się pozycji zerowej.
4. W czasie korzystania z kuchenki mikrofalowej, szklany talerz obrotowy musi zawsze znajdować się w jej wnętrzu.

Rozmrażanie w kuchenkach

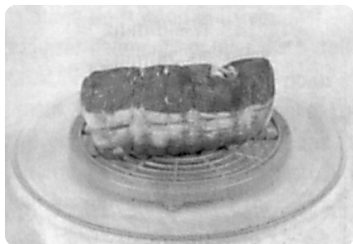
** Moc rozmrażania wynosi 270 Watów



- Wybierz moc rozmrażania obracając pokrętko.
- Wybierz czas rozmrażania obracając pokrętko. Jeżeli drzwiczki są w tym momencie zamknięte, gotowanie rozpocznie się natychmiast. Przy krótkich gotowaniach należy zawsze czas nastawiać na 2 min, a potem dodawać w miarę potrzeby.

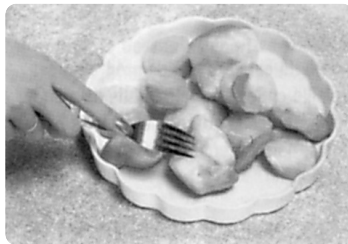
Rozmrażanie

Jak rozmrażać



Czasy dochodzenia

Pojedyncze porcje jedzenia można gotować (piec) niemal natychmiast po rozmrożeniu. Normalną rzeczą jest, że duże porcje żywności będą w środku zamrożone. Przed pieczeniem należy pozostawić je na dochodzenie przez okres **co najmniej 1 godziny**. W czasie dochodzenia temperatura zostaje rozprowadzana równomiernie i jedzenie rozmraża się w wyniku przewodnictwa. Uwaga: Jeżeli jedzenie nie ma być natychmiast przyrządzane (pieczone), należy włożyć je do lodówki. W żadnym przypadku nie należy ponownie zamrażać jedzenia jeżeli nie zostało ono przedtem ugotowane.



Mięso mielone lub kawałki mięsa oraz owoce morza

Z uwagi na to, że tego rodzaju żywność szybciej rozmraża się po stronie zewnętrznej, pamiętać należy, aby je rozdzielać, rozbijając bloki na mniejsze kawałki przez cały czas rozmrażania i wyjmować pojedynczo, gdy się rozmroziły.



Pieczeń z kośćmi i drób

Zaleca się położenie pieczeni na odwróconym talerzu lub plastikowej kratce, aby nie leżało w soku z mięsa. Ważne jest, aby zapewnić ochronę delikatnym lub wystającym częściom tej potrawy używając do tego celu kawałków folii aluminiowej co zapobiegnie nadmiernemu spieczeniu tych części. Używanie małych kawałków folii aluminiowej w kuchence nie jest niebezpieczne pod warunkiem, że **nie dotykają one ścianek kuchenki**.



Małe porcje żywności

Kotlety schabowe i porcje kurczaka należy możliwie najszybciej porozdzielać, aby rozmrażanie mogło postępować równomiernie. Części tłuste oraz wystające rozmrażają się szybciej. Umieścić je należy w środku talerza lub osłonić je.

Chleb

Dla rozmrożenia środka bochenka należy pozostawić go na pewien czas na dochodzenie. Czas ten można skrócić oddzielając od siebie poszczególne kromki lub krojąc bułki i bochenki na półki.

Pytania (P) i odpowiedzi (O)

P: Dlaczego kuchenka nie włącza się?

O: Jeśli kuchenka nie włącza się, sprawdź następujące punkty:

1. Czy wtyczka jest dokładnie włożona? Wyjmij wtyczkę z gniazdka, zaczekaj 10 sekund i włóż ją ponownie.
2. Sprawdź specjalnie zainstalowany zwykły lub automatyczny bezpiecznik. Włącz bezpiecznik automatyczny lub wymień zwykły bezpiecznik (jeśli jest spalony).
3. Jeśli bezpiecznik jest dobry, podłącz do gniazdka inne urządzenie. Jeśli podłączone urządzenie działa, prawdopodobnie niesprawna jest kuchenka. Jeśli nie działa także inne podłączone urządzenie, to znaczy, że uszkodzone jest gniazdko. Jeśli okaże się, że niesprawna jest kuchenka, skontaktuj się z autoryzowanym punktem serwisowym.

P: Kuchenka powoduje zakłócenia odbioru telewizyjnego. Czy jest to normalne?

O: Podczas gotowania w kuchenke mikrofalowej mogą wystąpić zakłócenia odbioru radiowego i telewizyjnego. Są to zakłócenia podobne do powodowanych przez drobny sprzęt taki jak miksery, odkurzacze, suszarki itp. Nie oznaczają one niesprawności kuchenki.

P: Dlaczego oświetlenie wnętrza kuchenki przygasa?

O: Podczas gotowania o mocy innej niż 800 W (DUŻA moc), kuchenka musi cyklicznie wyłączać się i włączać, aby osiągnąć niższe poziomy mocy. Podczas wykonywania kolejnych cykli pracy, oświetlenie wnętrza kuchenki przygasa i słychać charakterystyczny odgłos.

P: Czasami z otworów wentylacyjnych wypływa ciepłe powietrze. Dlaczego?

O: Ciepło wydobywające się z gotowanej potrawy ogrzewa powietrze we wnętrzu kuchenki. Ogrzane powietrze wyprowadzane jest na zewnątrz kuchenki za pomocą systemu przepływu powietrza w kuchenke. W wydobywającym się powietrzu nie ma mikrofal. Podczas gotowania nie wolno zakrywać otworów wentylacyjnych.

Konserwacja kuchenki mikrofalowej

1. Przed czyszczeniem kuchenki, wyłącz ją.
2. Utrzymuj w czystości wnętrze kuchenki, uszczelki drzwiczek oraz powierzchnie wokół uszczelek. Rozpryskaną żywność lub płyny należy ścierać ze ścian wnętrza kuchenki, uszczelek drzwiczek oraz powierzchni wokół uszczelek, wilgotną ściereczką. Jeśli kuchenka jest silnie zabrudzona, użyj łagodnego środka czyszczącego. Korzystanie z silnych środków do czyszczenia i szorowania nie jest zalecane.
NIE UŻYWAJ DOSTĘPNYCH W HANDLU ŚRODKÓW CZYSZCZĄCYCH do zwykłych kuchenek.
3. Obudowa zewnętrzna kuchenki powinna być czyszczona wilgotną ściereczką, a następnie osuszona miękką ściereczką. Zwróć uwagę, aby woda nie przedostała się przez otwory wentylacyjne do wnętrza urządzenia, ponieważ mogłoby to doprowadzić do jego uszkodzenia.
4. Jeżeli panel sterowania zabrudzi się, należy oczyścić go miękką, suchą szmatką. Na panelu nie należy używać mocnych detergentów lub proszków ściernych. Przy czyszczeniu panelu kontrolnego pozostawić drzwiczki kuchenki otwarte, aby zapobiec przypadkowemu uruchomieniu kuchenki. Po oczyszczeniu nacisnąć przycisk STOP/ANULUJ do wyzerowania okienka wyświetlacza lub obrócić WYŁĄCZNIK CZASOWY WAG z powrotem do pozycji ZERO.
5. Jeśli wewnątrz lub na zewnątrz drzwiczek osadzi się rosa, zetrzyj ją miękką ściereczką. Może to wystąpić, gdy kuchenka mikrofalowa pracuje w warunkach dużej wilgotności, jednakże nie jest to objawem złej pracy urządzenia.
6. Od czasu do czasu wyjmij szklany talerz i umyj go w wodzie ze środkiem czyszczącym lub w zmywarce do naczyń.
7. Pierścień obrotowy oraz wnętrze kuchenki należy regularnie czyścić, aby zapobiec odgłosom pracy pierścienia. Wystarczy je przetrzeć czystą szmatką z łagodnym detergentem i gorącą wodą, a następnie osuszyć czystą szmatką. Pierścień obrotowy można myć w cieplej wodzie z mydłem. Para z gotowania gromadzi się podczas częstego użytkowania, ale nie wpływa na pracę elementów kuchenki. Po wyjęciu z kuchenki i umyciu pierścienia, zanim zaczniesz gotować, upewnij się, że pierścień obrotowy znajduje się w kuchenice i na właściwym miejscu.
8. Kuchenka winna być konserwowana i naprawiana wyłącznie przez wykwalifikowany personel autoryzowanego punktu serwisowego.
9. Nie wolno używać do mycia urządzenia parowego.
10. Jeżeli kuchenka nie jest utrzymywana w należytej czystości, może to prowadzić do niszczenia jej ścianek, a w efekcie do skrócenia czasu prawidłowego funkcjonowania urządzenia i do niebezpiecznych sytuacji.
11. Otwory wentylacyjne powinny być utrzymywane w czystości. Sprawdź, czy otwory wentylacyjne znajdujące się na górze, na dole i z tyłu urządzenia nie są zatkane przez kurz lub inne zanieczyszczenia. Jeżeli otwory wentylacyjne są zatkane, może to powodować przegrzanie kuchenki, co może wpływać negatywnie na jej działanie.
12. Nie należy używać do czyszczenia panelu szklanego kuchenki żrących substancji czyszczących ani druczianych zmywaków, ponieważ może to spowodować pęknięcia w szklanym panelu.

Dane techniczne

Napięcie sieciowe:	230 V~ 50 Hz
Pobór mocy:	Mikrofałe: 1250 W
Moc wyjściowa:	Mikrofałe: 800 W (IEC-60705)
Wymiary zewnętrzne:	443 (Szer.) x 340 (Dług.) x 258 (Wys.) mm
Wymiary wnętrza	
kuchenki:	306 (Szer.) x 308 (Dług.) x 215 (Wys.) mm
Waga:	10.5 kg
Hałas:	46dB

Dane techniczne mogą ulec zmianie bez powiadomienia.

Produkt ten jest wyrobem, który spełnia wymagania norm europejskich dotyczących kompatybilności elektromagnetycznej (EMC). Stosownie do tych wymagań urządzenie zaliczone jest do grupy „2” i posiada klasę bezpieczeństwa „B”. Grupa „2” oznacza, że energia o częstotliwości radiowej jest z założenia generowana w formie fal elektromagnetycznych, przeznaczonych do podgrzewania produktów żywnościowych. Klasa „B” oznacza, że urządzenie może być użytkowane w typowych warunkach domowych.



Informacja dla użytkowników o pozbywaniu się urządzeń elektrycznych i elektronicznych (dotyczy gospodarstw domowych)

Przedstawiony symbol umieszczony na produktach lub dołączonej do nich dokumentacji informuje, że niesprawnych urządzeń elektrycznych lub elektronicznych nie można wyrzucać razem z odpadami gospodarczymi. Prawidłowe postępowanie w razie konieczności pozbycia się urządzeń elektrycznych lub elektronicznych, utylizacji, powtórnego użycia lub odzysku podzespołów polega na przekazaniu urządzenia do wyspecjalizowanego punktu zbiórki, gdzie będzie przyjęte bezpłatnie. W niektórych krajach produkt można oddać lokalnemu dystrybutorowi podczas zakupu innego urządzenia. Prawidłowa

utylizacja urządzenia umożliwi zachowanie cennych zasobów i uniknięcie negatywnego wpływu na zdrowie i środowisko, które może być zagrożone przez nieodpowiednie postępowanie z odpadami. Szczegółowe informacje o najbliższym punkcie zbiórki można uzyskać u władz lokalnych.

Nieprawidłowa utylizacja odpadów zagrożona jest karami przewidzianymi w odpowiednich przepisach lokalnych.

Użytkownicy biznesowi w krajach Unii Europejskiej

W razie konieczności pozbycia się urządzeń elektrycznych lub elektronicznych, prosimy skontaktować się z najbliższym punktem sprzedaży lub z dostawcą, którzy udzielą dodatkowych informacji.

Pozbywanie się odpadów w krajach poza Unią Europejską

Taki symbol jest ważny tylko w Unii Europejskiej.

W razie potrzeby pozbycia się niniejszego produktu prosimy skontaktować się z lokalnymi władzami lub ze sprzedawcą celem uzyskania informacji o prawidłowym sposobie postępowania.

Zgodnie z dyrektywą 2004/108/EC, artykuł 9(2)

Centrum Testowe Panasonic

Panasonic Service Europe, oddział Panasonic Marketing Europe GmbH

Winsbergring 15, 22525 Hamburg, Niemcy.

Wyprodukowano dla Panasonic Corporation przez GMMEAM.

No. 6 Yong An RD, Beijiao, Shunde, Foshan, Guangdong, Chińska Republika Ludowa.

QUELMICROONDES.COM

Installation och anslutning

Kontrollera mikrovågsugnen

Packa upp ugnen, ta bort allt förpackningsmaterial och kontrollera att ugnen inte är skadad - till exempel att den inte har bucklor, att ugnsluckans lås inte är skadade och att ugnsluckan inte är spräckt. Anmäl eventuella skador enligt leveransvillkoren. **INSTALLERA INTE UGNEN** om den är skadad.

Endast för skyddsjordat eluttag

VIKTIGT: UGNEN FÅR ENDAST ANSLUTAS TILL ETT SKYDDSJORDAT ELUTTAG.

Anslut ugnen endast till ett skyddsjordat eluttag med 10 A säkring. Om ett sådant inte finns, låt en elektriker installera ett skyddsjordat eluttag vid ugnens plats.

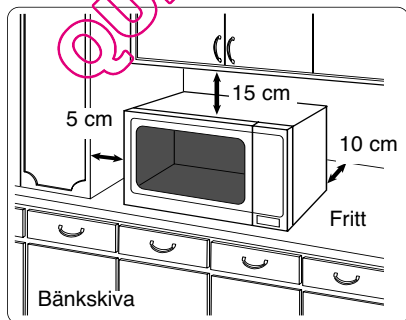
Driftspänning

Driftspänningen måste vara den som anges på ugnens typskylt. Om ugnen ansluts till högre spänning än som anges på typskylten, kan brand eller andra skador uppstå.

Placering av ugnen

Denna ugn är endast avsedd för användning på bänk i hushållet. Den är inte avsedd för inbyggd användning eller inuti ett skåp.

1. Placera ugnen på en slät och stadig yta, mer än 85 cm över golvet.
2. Täck inte för eluttaget med möbler eller liknande. Det är viktigt att du kan dra ut nätkontakten snabbt i en nödsituation.



3. För att ugnen ska fungera riktigt, måste den ha tillräcklig luftväxling.

Placering ovanpå arbetsbänk:

- a. Lämna minst 15 cm fritt avstånd över ugnen, 10 cm på baksidan, 5 cm på ena sidan och minst 40 cm på den andra sidan.
 - b. Om du ställer en sida av ugnen direkt mot en vägg, får den andra sidan eller översidan inte blockeras.
4. Ugnen får ej placeras nära en elektrisk spis eller gasspis.
 5. Ta inte bort ugnens fötter.
 6. Ugnen är avsedd för användning i hushåll. Ugnen får inte användas utomhus.
 7. Undvik att använda ugnen i hög luftfuktighet.
 8. Låt inte nätkabeln vidröra ugnens ytterhölje. Håll nätkabeln borta från heta ytor. Låt inte kabeln hänga över bords- eller bänkkanten, så att den kan klämmas. Doppa aldrig nätkabeln, nätkontakten eller ugnen i vatten.
 9. Blockera inte ventilationsöppningarna på ugnens översida och baksida. Om ventilationsöppningarna blockeras när ugnen används, kan den bli överhettad. En värme-känslig säkerhetsanordning stänger i så fall av ugnen, som då inte kan användas förrän den har svalnat.
 10. Mikrovågsugnen bör inte skötas av en extern timer eller ett separat fjärrkontrollsystem.

Säkerhetsanvisningar

VARNING

Viktiga säkerhetsanvisningar

1. Rengör ugnsluckans tätningssytor och tätningsslister med en fuktig torkduk.

Kontrollera ofta att tätningssliten och tätningssytorerna är rena och oskadade. Om de är skadade, får ugnen inte användas förrän den har undersökts och reparerats av en service-tekniker, som har utbildats av Panasonic.

2. Försök aldrig att reparera eller modifiera ugnsluckan, kåpan vid manöverpanelen, säkerhetsbrytarna eller någon annan del av ugnen.

Ta inte bort ugnens ytterpanel. Den skyddar mot mikrovågsstrålning från ugnen.

Lämna ugnen till en auktoriserad serviceverkstad, om den behöver repareras.

3. Använd inte ugnen om nätkabeln eller nätkontakten är skadade, om ugnen inte fungerar korrekt eller om ugnen är skadad eller har tappats. Det är farligt för alla utom för service-tekniker, som har utbildats av Panasonic, att reparera ugnen.

4. Om nätkabeln är skadad måste den bytas ut av tillverkaren eller tillverkarens serviceombud eller någon annan kvalificerad person för att undvika fara.

5. Låt inte barn använda mikrovågsugnen utan uppsikt och ledning. Om barn ska använda mikrovågsugnen, måste de veta hur de ska göra och att det är farligt att använda ugnen på fel sätt.

6. Värm inte vätskor eller mat i kärl med tättslutande lock. De kan explodera.

7. Denna apparat är inte avsedd att användas av personer (inklusive barn) med nedsatt fysisk, sensorisk eller mental förmåga eller brist på erfarenhet och kunskap, om de inte har fått övervakning eller instruktioner vad gäller bruk av apparaten av en person som ansvarar för deras säkerhet.

Barn ska öve vakas för att se till att de inte leker med apparaten.

QUELMICROOND.COM

Viktig information

Användning av mikrovågsugnen

1. Använd inte ugnen för något annat än matlagning. Ugnen är speciellt konstruerad för uppvärmning och tillagning av mat. Använd inte ugnen för uppvärmning av kemikalier eller andra produkter som inte är mat.
2. Använd endast kokkärl som är lämpliga för användning i mikrovågsugn.
3. Försök inte att torka tidningspapper, kläder eller andra material i ugnen. De kan ta eld.
4. Förvara inget annat än ugnens tillbehör i ugnen, när den inte används. Detta är för säkerhets skull om ugnen skulle startas oavsiktligt.
5. Använd inte MIKROVÅGSUGNEN UTAN MAT I UGNEN. Om du gör det, kan ugnen skadas.
6. Om något skall börja ryka eller brinna i ugnen, stäng av ugnen med STOPP-KNAPPEN eller vrid TIMER-OMKOPPLAREN till NOLL och låt ugnsluckan vara stängd. Dra ut nätkontakten eller stäng av strömmen vid elcentralen. **Ugnslampa**

Kontakta återförsäljaren eller en auktoriserad serviceverkstad, om ugnslampa behöver bytas.

Tillbehör

Ugnen levereras med ett antal tillbehör. Följ alltid anvisningarna som gäller tillbehören.

Glasbricka

1. Använd inte ugnen utan att rotationsaxeln och glasbrickan är på plats.
2. Använd inte någon annan typ av glasbricka än den som är avsedd speciellt för denna ugn.
3. Om glasbrickan är het, låt den svalna innan du gör ren den eller lägger den i vatten.
4. Glasbrickan kan rotera i den ena eller andra riktningen.
5. Om mat eller kokkärl på glasbrickan vidrör ugnsväggen så att glasbrickan slutar rotera, byter glasbrickan rotationsriktning automatiskt. Detta är normalt.
6. Tillaga inte mat direkt på glasbrickan.

Rotationsaxel för glasbrickan

1. Gör ren rotationsaxeln och ugnens botten regelbundet för att undvika oljud och ansamling av matrester.
2. Använd alltid rotationsaxeln tillsammans med glasbrickan.

Viktig information

1. Tillagningstider

Tillagningstiden beror på matens konsistens, form, temperatur och mängd och på typen av kokkärl.

För att undvika överkokning, börja med den kortaste tillagningstiden. Om inte maten är klar, kan du fortsätta tillagningen en kort stund till.

OBS: Om du överskrider de rekommenderade tillagningstiderna blir maten förstörd. I extrema fall kan den ta eld och skada ugnens inre.

2. Små mängder mat

Små mängder mat eller mat med lite fukt kan brännas, torka ut eller fatta eld om den tillagas för länge. Om något skulle börja ryka eller brinna i ugnen, låt ugnsluckan vara stängd och dra ut nätkontakten eller stäng av strömmen vid elcentralen.

3. Ägg

Tillaga inte ägg med skalet kvar eller hela hårdkokta ägg med MIKROVÅGOR. Ett tryck kan byggas upp och äggen kan explodera även då uppvärmningen med mikrovågor har upphört.

4. Pricka täta skal och skinn

Mat med täta skinn, såsom potatis, äggulor och korv, måste prickas före tillagningen med MIKROVÅGOR så att de inte spricker.

5. Kötttermometer

Använd en kötttermometer för att kontrollera temperaturen i kött och fågel endast när köttet har tagits ut ur ugnen. Använd aldrig en vanlig kötttermometer tillsammans med mikrovågor, eftersom den kan orsaka gnistor.

6. Vätskor

När du värmer vätskor såsom soppor, såser och drycker i din mikrovågsugn, kan de nå kokpunkten utan att några bubblor syns. De kan sedan koka över plötsligt. Undvik detta genom:

- Använd inte kärl med parallella sidor och smala öppningar.
- Överhetta inte vätskan.
- Rör om vätskan innan du sätter in den i ugnen och efter halva tillagningstiden.
- Låt vätskan stå i ugnen en kort stund efter tillagningen. Rör om igen innan du tar ut kärlet försiktigt.

7. Papper och plast

Om du värmer upp mat i behållare av plast eller papper, kontrollera ugnen ofta eftersom dessa behållare kan börja brinna om de blir överhettade.

Använd inte återvinningspapper, till exempel papper från köksrullar, om papperet inte är märkt att det går att använda i mikrovågsugn. Återvinningspapper kan innehålla föroreningar, som orsakar gnistor eller brand i mikrovågsugnen.

Ta bort metallklamrar innan du värmer mat i mikrovågssäkra pappersförpackningar.

8. Kokkärl och folie

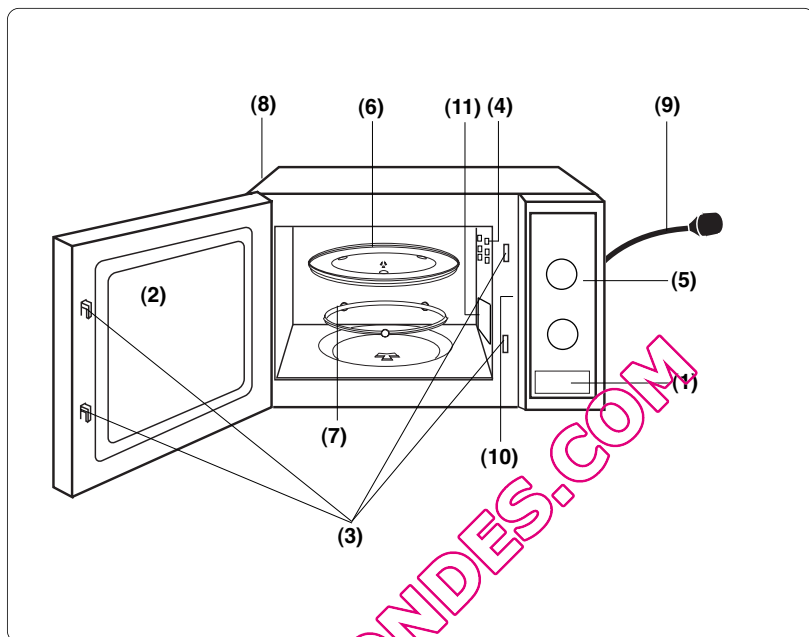
Värm inte burkar och flaskor med lock. De kan explodera.

Använd inte metallkärl och tallriker med metalldekor i ugnen. De orsakar gnistor. Om du använder aluminiumfolie eller något metallföremål i ugnen, måste avståndet till ugnens väggar och lucka vara minst 2 cm för att undvika gnistbildning.

9. Barnmatsburkar och nappflaskor

Ta bort locket och nappen på barnmatsflaskan och locket på barnmatsburken innan du placerar dem i ugnen. Innehållet i barnmatsburkar och nappflaskor måste röras om eller skakas. Kontrollera temperaturen på maten innan du ger den till barnet. Om den är för het, kan barnet få svåra brännskador.

Ugnens delar



(1) Lucköppningsknapp

Tryck för att öppna ugnsluckan. Om du öppnar ugnsluckan under tillagning stoppas tillagningen temporärt utan att tidigare gjorda inställningar nollställs. Tillagningen återupptas så fort luckan stängs.

(2) Ugnsfönster

(3) Luckans säkerhetslås

(4) Luftventiler

(5) Kontrollpanel

(6) Glasbricka

(7) Rotationsring

(8) Ventilationsöppningar

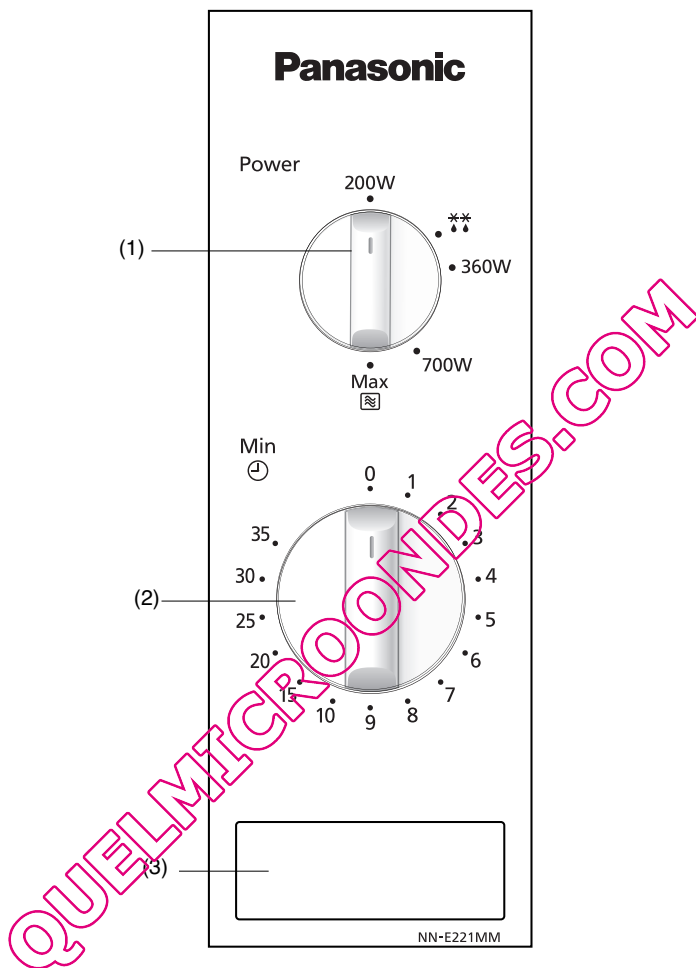
(9) Nätsladd

(10) Typskyt

(11) Mikrovågsmatningsledare (Får ej avlägsnas)

Kontrollpaneler

NN-E201WM / NN-E221MM *

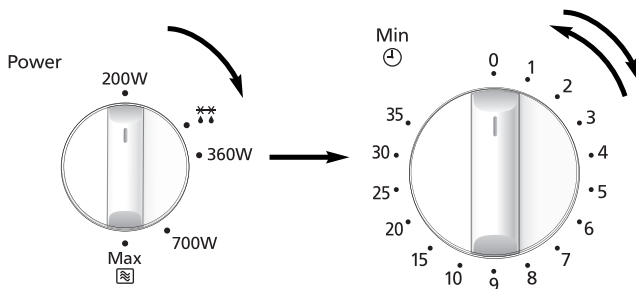


- (1) Omkopplare för mikrovågseffekt / upptining
- (2) Timer-omkopplaren
- (3) Lucköppningsknapp

*OBS: Utseendet på kontrollpanelen kan skilja sig från den på bilden (beroende på färg), men knapparnas funktioner är desamma.

Mikrovågstillagning

	Effekt
Hög	800 Watt
Medium	700 Watt
Låg	360 Watt
Upptining	270 Watt
Varm	200 Watt



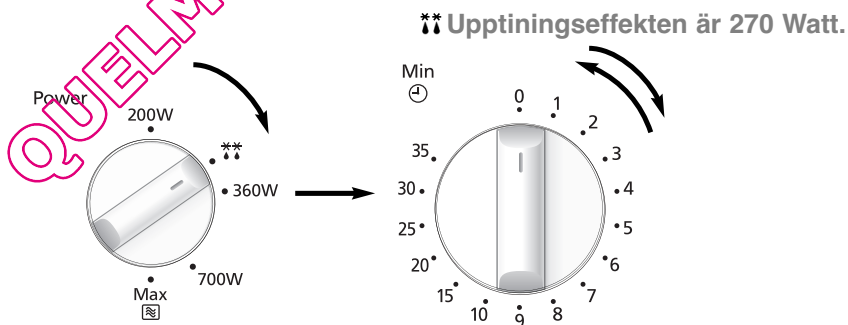
• Vrid omkopplaren för att välja effektnivå.

• Ställ in tillagningstiden genom att vrida på timer-omkopplaren. Om ugnsluckan redan är stängd börjar tillagningstiden direkt. Vid korta tillagningstider vrid du omkopplaren till 2 minuter och därefter justerar till önskad tid.

OBS!

1. Om du vill kontrollera maten under tillagningen öppnar du helt enkelt ugnsluckan. Tillagningen stoppas då automatiskt. För att fortsätta tillagningen stänger du ugnsluckan.
2. För att stoppa tillagningen vrid du timer-omkopplaren till läget NOLL. Tillagningstiden kan nollställas när som helst under tillagningen genom att du vrid på timer-omkopplaren.
3. Se till att timer-omkopplaren är i nolläge när du plockar ut maten från ugnen då tillagningen är klar.
4. Glasbrickan måste alltid vara på plats då ugnen används.

Upptining

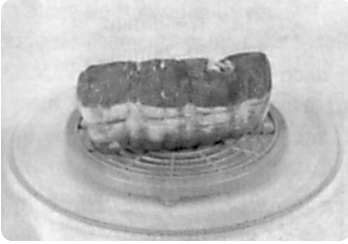


• Välj upptiningseffekt genom att vrida på omkopplaren.

• Ställ in upptiningstiden genom att vrida på omkopplaren. Om ugnsluckan redan är stängd börjar tillagningstiden direkt. Vid korta tillagningstider vrid du omkopplaren till 2 minuter och därefter justerar till önskad tid.

Upptining

Upptiningstips

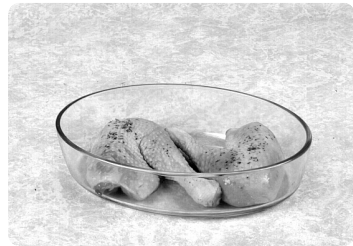
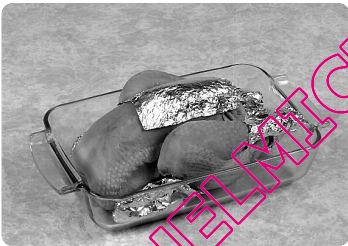


Utjämningsstider

Enskilda matportioner kan tillagas nästan omedelbart efter att de tinats upp. Stora portioner brukar normalt vara frysta i mitten. Låt stora portioner stå **minst en timme** innan tillagning. Under den här perioden utjämnas temperaturen och maten tinats upp genom temperaturöverföring. Obs! Om du inte ska tillaga maten omedelbart bör du förvara den i kylskåp. Frys aldrig om upptinad mat utan att tillaga den.

Köttfärs eller grytbitar och skaldjur

Eftersom ytan tinar fort på den här typen av mat måste man plocka isär bitarna och bryta sönder större bitar till mindre under upptiningen och ta bort dem när de är upptinade.



Större köttbitar och fågel

Placera helst köttbitarna på en uppochnedvänd tallrik eller en plastställning så att de inte ligger i köttsaften. Det är viktigt att skydda känsliga eller utstickande delar av maten med små foliebitar för att hindra dem från att tillagas. Det är inte farligt att använda små foliebitar i ugnen så länge **de inte kommer i kontakt med ugnens väggar**.

Små matportioner

Kotletter och kycklingbitar måste plockas isär så fort som möjligt så att de tinar jämnt rakt igenom. Partier med mycket fett och ändbitar tinar fortare. Placera dem därför nära glasbrickans mitt eller täck över dem.

Bröd

Limpor måste få stå för att temperaturen ska utjämnas och för att mitten ska tina. Utjämningsstiden kan minskas om man tar isär skivor och om man delar småbröd och limpor på mitten.

Frågor och svar

Fråga: Varför startar inte ugnen?

Svar: Om ugnen inte startar, kontrollera följande:

1. Är nätkontakten riktigt isatt? Dra ut nätkontakten från eluttaget, vänta 10 sekunder och sätt i nätkontakten igen.
2. Finns det spänning i eluttaget? Sätt i nätkontakten till en annan apparat och kontrollera om den fungerar. Om den inte heller fungerar, kontrollera säkringen i elcentralen. Om den andra apparaten fungerar, är det troligen fel på ugnen. Kontakta i så fall en auktoriserad serviceverkstad.

Fråga: Ugnen stör min TV. Är detta normalt?

Svar: En viss störning av radio- och TV-signaler kan förekomma när mikrovågsugnen används. Samma slags störningar förekommer vid användning av andra hushållsapparater, till exempel hushållsmaskiner, dammsugare, hårtorkar, och liknande. Detta betyder inte att det är något fel på ugnen.

Fråga: Varför lyser ugnslampan svagare?

Svar: Detta händer vid lägre effektnivå än HÖG. Ugnen pulserar för att ställa in en lägre effekt. Då lyser ugnslampan svagare och klickande ljud kan höras.

Fråga: Ibland strömmar varmluft ut från ugnens ventilationshål. Varför?

Svar: Värmen som avges från den lagade maten värmer upp luften inuti ugnen. Den här varmluften förs ut ur ugnen med hjälp av luftströmmarna i ugnen. Det finns inga mikrovågor i luften. Blockera aldrig ventilationshålen när ugnen används.

QUELMICROVIDEOS.COM

Vård av ugnen

1. Stäng av ugnen innan du gör ren den.
2. Håll ugnens insida, luckans tätningslist och tätningsytorna rena. Torka upp allt spill på väggarna, tätningslisterna och tätningsytorna med en fuktad torkduk. Ett mildt rengöringsmedel kan användas om ugnen är mycket smutsig. Använd inte kraftiga rengöringsmedel eller slipmedel. **ANVÄND INTE UGNRENGÖRINGSMEDEL FÖR VANLIGA UGNAR.**
3. Gör ren utsidan av mikrovågsugnen med en fuktad torkduk. Låt inte vatten komma in i ventilationsöppningarna, eftersom det kan skada ugnen.
4. Torka manöverpanelen med en mjuk, torr torkduk, om den blir smutsig. Använd inte starka eller slipande rengöringsmedel. Låt ugnsluckan vara öppen under rengöringen, så att ugnen inte startas av misstag. När rengöringen är avslutad, tryck på **STOPP/ÅTERSTÄLLNING** eller vrid tillbaka **TIMER-OMKOPPLAREN** till **NOLLÄGET**.
5. Om ånga samlas på insidan av eller runt ugnsluckan, torka bort den med en mjuk torkduk. Detta kan hända när mikrovågsugnen används i hög luftfuktighet och innebär inget fel på ugnen.
6. Glasbrickan måste tas ut ibland för rengöring. Diska den i diskmedel eller i diskmaskin.
7. Rotationsringen och ugnens nedsänkta botten bör rengöras regelbundet för att undvika överdrivet oljud. Torka bara av ytan på botten av ugnen med mildt diskmedel och varmt vatten och torka sedan torr med en ren trasa. Rotationsringen kan tvättas i mildt diskvatten. Matlagingsånga samlas vid upprepad användning men påverkar inte nedre ytan eller ringens hjul. Efter borttagning av rotationsringen från nedsänkningen i botten för rengöring, se till att lägga tillbaka den i rätt läge.
8. Kontakta återförsäljaren eller en auktoriserad Panasonic-verkstad, om ugnen behöver service eller reparationer. Det är livsfarligt att ta bort ytterpanelerna, om man inte har noggranna kunskaper om ugnens konstruktion.
9. Använd inte ånga vid rengöring.
10. Håll alltid ventilationsöppningarna fria. Kontrollera att ventilationsöppningarna på ugnens ovansida, nederdel eller baksida inte blockeras av damm eller annat material. Blockerade ventilationsöppningar kan orsaka överhettning, vilket kan påverka ugnens funktion.
11. Om ugnen inte hålls ordentligt ren kan ytor skadas, vilket kan påverka ugnens livslängd och eventuellt leda till en farlig situation. Om luftflöde tappas till kan detta orsaka överhettning, vilket skulle kunna påverka ugnens drift och möjligen resultera i en risksituation.
12. Använd inte starkt frätande rengöringsmedel eller vassa metallskrapor för att rengöra glaset i ugnens lucka eftersom det kan repa ytan, vilket kan leda till splittring av glaset.

Tekniska data

Nätanslutning:	230 V ~ 50 Hz	
Anslutningseffekt:	Mikrovågor:	1250 W
Effekt:	Mikrovågor:	800 W (IEC-60705)
Yttermått:	443 (B) x 340 (D) x 258 (H) mm	
Ugnens innermått:	306 (B) x 308 (D) x 215 (H) mm	
Vikt:	10.5 kg	
Oljud:	46dB	

Vikt och mått är ungefärliga. Vi förbehåller oss rätten till ändringar utan föregående meddelande.

Denna produkt uppfyller den europeiska standarden EN 55011 för EMC-bestämmelser (EMC = Elektromagnetisk kompatibilitet). Enligt denna standard är denna produkt en apparat i grupp 2, klass B och uppfyller kraven för detta. Grupp 2 betyder att radio-frekvent energi produceras i form av elektromagnetiska vågor, för uppvärmning av mat. Klass B betyder att denna produkt kan användas i det normala hushållet.



Information om kassering för användare av elektrisk & elektronisk utrustning (privata konsumenter) Om denna symbol finns på produkterna och/eller medföljande dokumentation, betyder det att förbrukade elektriska och elektroniska produkter inte ska blandas med vanliga hushållssopor. För korrekt hantering, inhämtning och återvinning, ska dessa produkter lämnas på återvinningscentraler, där de tas emot utan kostnad. I vissa länder kan du som ett alternativ lämna in dina produkter hos återförsäljaren, när du köper en motsvarande, ny produkt.

Om denna produkt avyttras korrekt sparas värdefulla resurser och eventuellt negativa effekter på den mänskliga hälsan och miljön förhindras, vilket kan bli fallet vid felaktig avyttring. Kontakta din lokala myndighet för mer information om var din närmsta återvinningsstation finns. Böter kan tillämpas vid felaktig avyttring av dessa sopor, i enlighet med lagstiftningen i landet.

För företagsanvändare inom EU

Om ni vill kassera elektrisk eller elektronisk utrustning, vänligen kontakta er återförsäljare eller leverantör för mer information.

Information om kassering i övriga länder utanför EU

Denna symbol gäller bara inom den EU.

Om du vill kassera denna produkt ska du kontakta de lokala myndigheterna eller din återförsäljare, och fråga om korrekt avyttringsmetod.

I enlighet med direktiv 2004/108/EC, artikel 9(2)

Panasonic Testing Centre

Panasonic Service Europe, en avdelning av Panasonic Marketing Europe GmbH
Winsbergring 15, 22525 Hamburg, Tyskland.

Tillverkad för Panasonic Corporation av GMMEAM

No. 6 Yong An RD, Beijiao, Shunde, Foshan, Guangdong, Folkrepubliken Kina.

QUELMICROONDES.COM

Installation

Undersøg mikrobølgeovnen

Pak ovnen ud, fjern alle indpakningsmaterialer og undersøg for skader som f.eks. buler, skadede dørlåse eller revner i døren. I tilfælde af skader kontaktes forhandleren straks. Installer ikke en skadet mikrobølgeovn.

Jordtilslutning

VIGTIGT: OVNEN SKAL VÆRE FORSVARLIGT TILSLUTTET AF HENSYN TIL DEN PERSONLIGE SIKKERHED.

Såfremt ovnen ikke er jordforbundet eller tilsluttet et HFI-relæ, er det ejerens personlige ansvar at få dette ordnet.

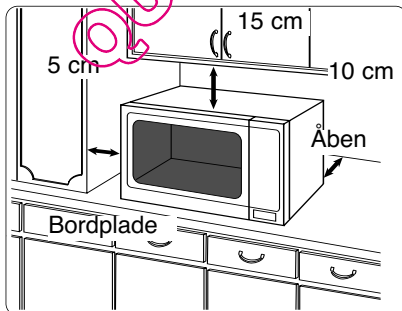
Netspænding

Den anvendte netspænding skal være den, der er specificeret for denne ovn. En højere spænding end den specificerede kan forårsage brand eller andre skader.

Opstilling af ovnen

Denne ovn er kun beregnet til at stå på et køkkenbord i husholdningskøkkener. Den er ikke beregnet til indbygning eller til brug inde i et skab.

1. Placer ovnen på en flad og solid overflade, mere end 85 cm over gulvet.
2. Når ovnen er installeret, skal stikkontakten være lettilgængelig, så man nemt kan afbryde ovnen ved at trække stikket ud eller slukke for kontakten.
3. For at ovnen kan fungere skal der sørges for tilstrækkelig luftcirkulation til ovnen.



Ved brug på køkkenbord:

- a. Sørg for et mellemrum på 15 cm over ovnen, 10 cm på bagsiden, 5 cm på den ene side, og den anden side skal være mere end 40 cm åben.
 - b. Er den ene side af ovnen placeret tæt op ad en væg, skal den anden side eller toppen være fri.
4. Ovnen må ikke placeres op ad et eleller gaskomfur.
 5. Fødderne må ikke fjernes.
 6. Ovnen er kun beregnet til husholdningsbrug. Den må ikke anvendes udendørs.
 7. Undgå at bruge mikrobølgeovnen ved høj luftfugtighed.
 8. Elkablet må ikke røre ovnens yderside. Hold kablet fri af varme overflader. Lad ikke kablet hænge over en bordkant eller hen over en bordplade. Kablet, stikket eller ovnen må ikke ligge i vand.
 9. Bloker ikke lufthullerne på ovnens over- og bagside. Hvis disse åbninger blokeres under brug, kan ovnen blive overophedet. I så tilfælde er ovnen beskyttet med en termosikring, og den vil fortsætte med at køre efter nedkøling.
 10. Denne ovn er ikke beregnet til drift ved hjælp af en ekstern timer eller et separat fjernbetjeningssystem.

Installation

ADVARSEL

Vigtige sikkerhedsvejledninger

1. Dørens dørtætningslister og deres anlægsflader skal rengøres med en fugtig klud. Efterse ovnen for skader på dørtætningslister og dørkarme. Hvis de er beskadiget, må ovnen ikke betjenes, før den er repareret af en kvalificeret tekniker.
2. Prøv ikke selv at pille eller foretage justeringer og reparationer på dør, betjeningspanel, kabinet, sikkerhedslås eller nogen anden del på ovnen. Tag ikke yderbeklædningspanelet af ovnen. Det beskytter mod mikrobølgerne. Reparationer må kun udføres af en kvalificeret tekniker.
3. Betjen ikke ovnen, hvis ELLEDNINGEN ELLER STIKKET er beskadiget, hvis den ikke fungerer korrekt, eller hvis den er beskadiget eller tabt. Det er farligt for alle andre end en kvalificeret tekniker at udføre reparationer.
4. Hvis elledningen er beskadiget, skal den udskiftes af fabrikanten, dennes servicerepræsentant eller en tilsvarende kvalificeret person, så der ikke opstår farlige situationer.
5. Børn bør kun bruge ovnen, når de er blevet omhyggeligt instrueret, så de er i stand til at bruge ovnen sikkert og forstår risikoen ved forkert brug.
6. Væsker eller anden mad må ikke opvarmes i flasker eller konserverglas med låg eller andre lukkede beholdere, da de kan eksplodere.
7. Dette apparat er ikke beregnet til brug af personer (inklusive børn) med nedsatte fysiske, sanse- eller mentale evner eller mangel på erfaring og kendskab med mindre de overvåges eller har fået instruktioner i brugen af dette apparat af en person, som er ansvarlig for deres sikkerhed. Børn skal overvåges for at sikre, at de ikke leger med apparatet.

QUELMICROONLINE.COM

Sikker brug af ovnen

Sådan bruges ovnen

1. Brug ikke ovnen til andet end at tilberede mad. Denne ovn er beregnet til opvarmning eller tilberedning af mad. Den må derfor ikke bruges til opvarmning af kemikalier eller andre non-food produkter.
2. Kontroller før brug, at skåle, fade og andet er egnet til brug i mikrobølgeovn.
3. Brug ikke ovnen til tørring af aviser, tøj eller andre materialer. Der kan gå ild i dem.
4. Når ovnen ikke er i brug, bør der ikke stilles andet ind i den end ovnens tilbehør for det tilfælde, at ovnen skulle tændes ved et uheld.
5. Ovnens må ikke køres på MIKROBØLGER, UDEN AT DER ER MAD I OVNE. En sådan betjening kan skade ovnen.
6. Ved røg eller ild i ovnen skal du trykke på STOP/ANNULLERINGS-KNAPPEN eller stil TID-DREJEKNAPPEN tilbage til nul stilling og holde ovndøren lukket for at kvæle eventuelle flammer. Træk stikket ud af stikkontakten eller afbryd strømmen ved stikkontakten eller sikringen.

Ovnlys

Når ovnlysets pære skal udskiftes, skal det gøres af en kvalificeret tekniker.

Tilbehør

Ovnen leveres med en række tilbehør. Følg altid anvisningerne til brug af tilbehøret.

Glastallerken

1. Betjen ikke ovnen uden at drejningen og glastallerkenen er på plads.
2. Brug aldrig andre typer glastallerken end den, der er specielt beregnet til denne ovn.
3. Hvis glastallerkenen er varm, skal den afkøle, før den rengøres eller lægges i vand.
4. Glasterkenen kan rotere i begge retninger.
5. Hvis maden eller kogekarret på glastallerkenen rører ovnvæggen og hindrer tallerkenen i at rotere, vil tallerkenen automatisk rotere i modsat retning. Dette er normalt.
6. Tilbered ikke mad direkte på glaspladen.

Drejning

1. Drejningen og ovnens bund skal rengøres regelmæssigt for at undgå larm og ophobning af madrester.
2. Drejningen skal altid bruges sammen med glastallerkenen, når der laves mad.

Tips og gode råd

1. Tilberedningstid

Tilberedningstid afhænger af tilstand, temperatur, mængden af mad og på typen af kogegrej.

Begynd med den korteste tilberedningstid for at undgå at varme for meget. Hvis maden ikke er tilstrækkeligt gennemvarm, kan den altid varmes lidt mere.

OBS: Hvis den anbefalede tilberedningstid overskrides, ødelægges maden, og i ekstreme tilfælde kan den bryde i brand og evt. ødelægge ovnens indre.

2. Små portioner mad

Små portioner mad eller mad med kun lidt væde og fugt i sig kan brænde, tørre ud eller bryde i brand, hvis de tilberedes for længe. Hvis materialer i ovnen skulle antænde, holdes ovndøren lukket, ovnen slukkes, og stikket tages ud af kontakten.

3. Æg

Æg i skal eller hele hårdkogte æg må ikke koges eller opvarmes med MIKROBØLGER. Der kan dannes tryk, og æg kan eksplodere, selv efter at mikrobølgeopvarmningen er stoppet.

4. Prik overfladen

Mad med ikke-porøst skind, f.eks. tomater, æggeblommer og pølser, skal have prikket hul, før de tilberedes med MIKROBØLGER for at forhindre sprængning.

5. Stegetermometer

Anvend ikke et stegetermometer til at kontrollere, hvor gennemstegt et steg eller et fjerkræ er, før kødet er taget ud af ovnen. Anvend ikke et almindeligt stegetermometer i metal ved brug af MIKROBØLGER, da det kan danne gnister.

6. Vædsker

Ved opvarmning af væsker, f.eks. supper, saucer og varme drikke, i mikrobølgeovnen kan væsken overhedes op over kogepunktet, uden at der dannes bobler.

Det kan resultere i, at den varme væske pludseligt stødkoger. For at forebygge denne risiko skal følgende forholdsregler tages:

- Undgå beholdere med lodrette sider og smalle åbninger.
- Undgå overopvarmning.
- Rør i væsken, før beholderen sættes i ovnen. Rør igen efter halvdelen af kogetiden.
- Efter opvarmningen skal væsken stå i ovnen et øjeblik. Rør igen, før beholderen forsigtigt tages ud.

7. Papir/plast

Ved opvarmning af mad i plast- eller papirbeholdere skal der holdes øje med ovnen, da denne type beholdere nemt antændes.

Anvend ikke genbrugspapirprodukter (f.eks. køkkenrulle), med mindre papirproduktet er mærket som sikkert til brug i mikrobølgeovn. Genbrugspapir kan indeholde urenheder, der kan danne gnister og/eller antænde.

Fjern metalvridebånd og metalclips fra stegepøser, før de sættes i ovnen.

8. Køkkengrej/folie

Opvarm ikke uåbnede dåser eller flasker. De kan eksplodere.

Metalbeholdere eller tallerkener og skåle med metalkanter må ikke anvendes med mikrobølger. De kan danne gnister.

Aluminiumsfolie, kødnåle eller andre metaldele skal placeres, så afstanden til ovnvæggene er mindst 2 cm for at hindre gnistdannelse.

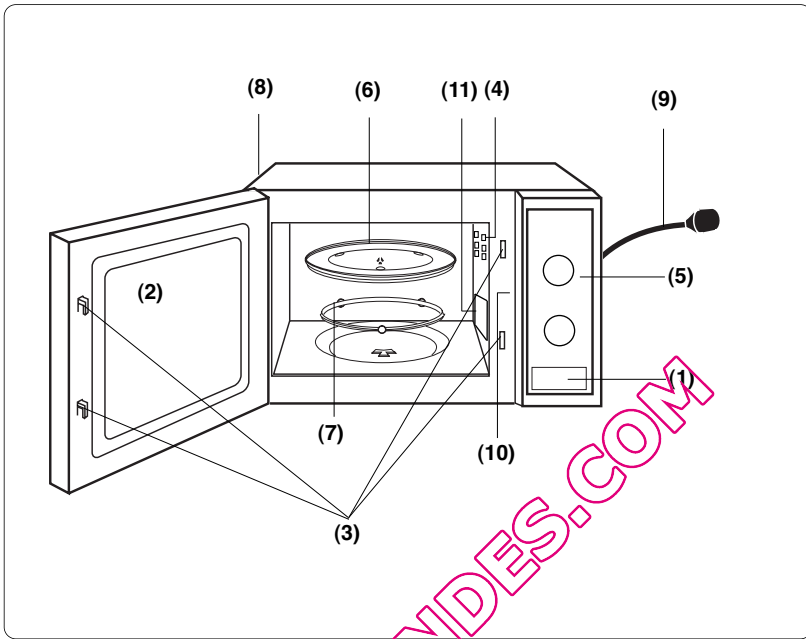
9. Sutteflasker/glas med babymad

Flaskesutter og låg skal tages af sutteflasken eller glasset med babymad, før de sættes i ovnen.

Indholdet i sutteflasker og glas med babymad skal omrøres eller rystes efter opvarmning.

Kontroller temperaturen på indersiden af håndledet før servering for at undgå skoldning og forbrænding.

Oversigtsdiagram



(1) Knap til åbning af dør

Tryk på knappen for at åbne døren. Når du åbner døren, mens ovnen er i gang, standser den midlertidigt uden dog at slette tidligere foretagne indstillinger. Fortsætter tilberedning, så snart døren lukkes.

(2) Ovnvindue

(3) Sikkerhedslåsesystem for døren

(4) Ventilationsåbning

(5) Betjeningspanel

(6) Glastallerken

(7) Drejering

(8) Udvendig ventilationsåbninger

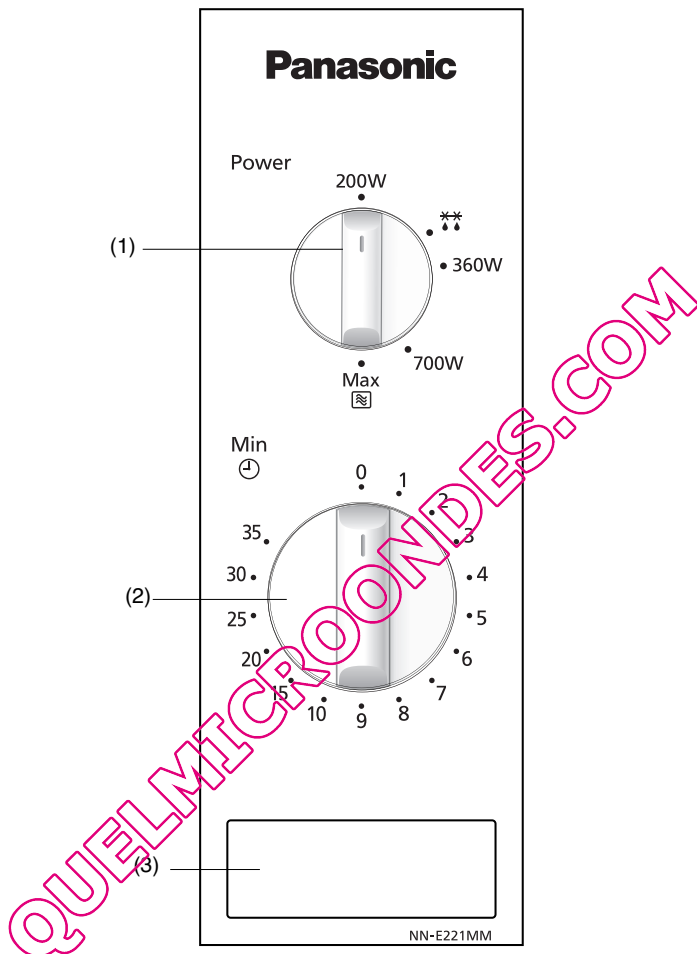
(9) Strømledning

(10) Typemærkat

(11) Mikrobølgenes indgang til ovnen (Må ikke fjernes)

Ovnens betjeningspanel

NN-E201WM / NN-E221MM *



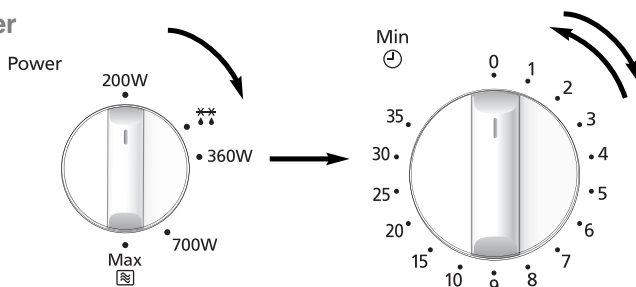
- (1) Drejeknap til valg af mikrobølgeeffekt/ optøning
- (2) Tid-drejeknap
- (3) Knap til åbning af dør

*OBS: Betjeningspanelet kan se anderledes ud end det viste (afhængig af farve), men knappernes funktion er den samme.

Tilberedning med mikrobølger

Mikrobølgeeffekter

Høj	800 Watt
Medium	700 Watt
Lav	360 Watt
Optøning	270 Watt
Varm	200 Watt



• Brug drejeknappen til at vælge mikrobølgeeffekt.

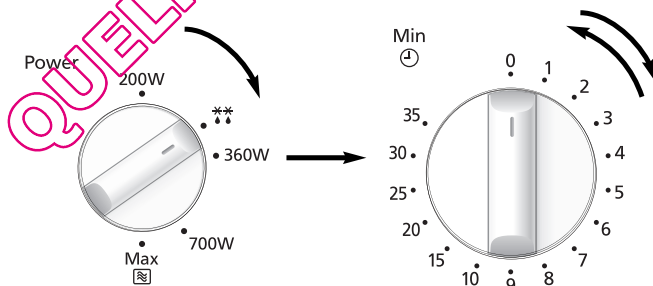
• Indstil tilberedningstiden vha. tid-drejeknappen. Hvis døren allerede er lukket, begynder tilberedning straks. Ved korte tilberedningstider skal du altid sætte drejeknappen til to minutter og derefter justere den til den ønskede tid.

Obs

1. Hvis du ønsker at checke maden under tilberedning, kan du blot åbne døren, ovnen standser automatisk. Luk døren for at fortsætte tilberedning.
2. For at standse tilberedning skal du sætte drejeknappen til nul. Tilberedningstiden kan under hele tilberednings-processen nulstilles vha. drejeknappen.
3. Når maden tages ud af ovnen efter endt tilberedning, skal du kontrollere at tid-drejeknappen står på nul.
4. Glastallerken skal altid være i, når ovnen bruges.

Optøning

** Optøningseffekten er 270 watt.

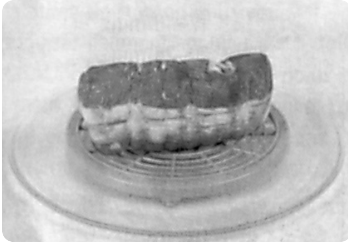


• Vælg optøningseffekt.

• Indstil optøningstiden vha. tid-drejeknappen. Hvis døren allerede er lukket, begynder tilberedning straks. Ved korte tilberedningstider skal du altid sætte drejeknappen til to minutter og derefter justere den til den ønskede tid.

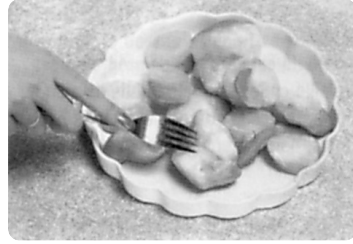
Optøningsvejledning

Optøningstips



Hviletider

Enkeltportioner kan tilberedes næsten med det samme efter optøning. Det er normalt, at store portioner mad stadig er frosne inde i midten. Før du tilbereder maden, skal den hvile i **mindst en time**. Under hviletiden udjævnes temperaturen, og maden optøs vha. varmeledning. OBS: Hvis maden ikke skal tilberedes lige efter optøning, skal den sættes i køleskabet. Optøet mad må aldrig fryses ned igen uden at være tilberedt.



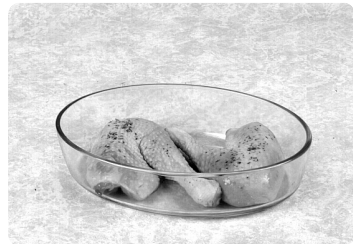
Hakkekød, kød i tern eller fisk

Eftersom denne madtype optøs hurtigt, er det nødvendigt at skille maden ad, dele blokkene op i mindre dele under optøringen og tage dem ud, når de er tøet op.



Steg og fjerkræ

Det er bedst at anbringe stege på en omvendt tallerken eller et plastikstativ, så de ikke ligger i kødsaften. Det er meget vigtigt at beskytte sarte dele og dele, der stikker frem, med små stykker folie for at forhindre, at disse dele bliver tilberedt. Det er ufarligt at anvende små stykker folie i ovnen, forudsat **at de ikke berører ovnvæggene**.



Små portioner

Koteletter og kyllingestykker skal skilles ad så hurtigt som muligt, så de bliver optøet jævnt. Dele med fedt og endestykker tør hurtigere op. Anbring dem på midten af glastallerkenen, eller dæk dem til.

Brød

For at hele brød kan blive optøet i midten skal du lade dem stå et stykke tid. Du kan forkorte hviletiden ved at skille skiverne ad eller skære boller og hele brød igennem.

Spørgsmål og svar

Spørgsmål: Hvorfor tænder ovnen ikke?

Svar: Når ovnen ikke tænder check følgende:

1. Er ovnen tilsluttet lysnettet? Sluk for stikkontakten i 10 sekunder for at nulstille ovnen og tænd så igen.
2. Kontrollér om stikkontakten er tændt og om sikringen er sprunget. Tænd stikkontakten eller udskift sikringen, hvis den er sprunget.
3. Hvis stikkontakten eller sikringen er i orden, prøv da at tilslutte den samme stikkontakt til et andet apparat. Fungerer dette, er der noget galt med ovnen. Fungerer det ikke, er der noget galt med stikkontakten. Såfremt der er noget galt med ovnen, kontaktes forhandleren, der kan oplyse om tlf. til det nærmeste servicecenter.

Spørgsmål: Når jeg tænder ovnen kommer der forstyrrelser i fjernsynet. Er det normalt?

Svar: Der kan opstå radio- og fjernsynsforstyrrelser, når ovnen er tændt. Denne forstyrrelse svarer til den støj som f.eks. støvsugere og hårtørrer giver. Det betyder ikke, at der er noget i vejen med ovnen.

Spørgsmål: Hvorfor bliver ovnlyset svagt?

Svar: Når der tilberedes med en lavere mikrobølgeeffekt end 800 Watt slukker og tænder magnetronen med skiftende intervaller. Ovnlyset bliver svagere og der høres klikkende lyde når ovnen skifter intervaller, hvilket er helt normalt.

Spørgsmål: Hvorfor kommer der varm luft ud af ventilationsåbningen?

Svar: Når der tilberedes mad afgiver maden varme. Denne varme bliver ført ud af ovnens ventilationsåbning ved hjælp af luftstrømningerne i ovnen. Ventilationsåbningen må derfor aldrig være tildækket, når ovnen er i brug. Der er ingen fare for mikrobølgeudslip.

Vedligeholdelse af ovnen

1. Sluk for ovnen, når den skal rengøres.
2. Det er vigtigt, at ovnrum, tætningslister og dørkarme holdes rene. Madstænk og spildt mad, der sætter sig på ovnvægge, tætningslister og dørkarme, tørres af med en fugtig klud. En mild sulfoopløsning kan anvendes, hvis de er meget snavsede. Stærke rengøringsmidler eller skuremidler frarådes.
BRUG IKKE DE KOMMERCIELLE OVN-RENSSEMIDLER .
3. Ovnens yderside rengøres med en fugtig klud. For at undgå skader på ovnens vitale dele må der ikke sive vand ind i ventilation-såbningerne.
4. Hvis betjeningspanelet er snavset, rengøres det med en blød, tør klud. Brug ikke stærke rengøringsmidler eller skuremidler på betjeningspanelet. Ved rengøring af betjeningspanelet skal ovndøren være åben, så ovnen ikke kan starte ved et uheld. Tryk på STOP/ ANNULLERING for at nulstille displayet eller stil TID-DREJEKNAPPEN tilbage til nulstilling.
5. Dugdannelser på ovndørens inderside eller omkring ydersiden af døren tørres af med en blød klud. Dette kan ske, når mikrobølgeovnen bruges ved høj luftfugtighed og betyder ikke, at ovnen har en fejl.
6. Det kan være nødvendigt at fjerne glastallerkenen ud til rengøring. Glastallerkenen rengøres med varmt sæbevand eller i opvaskemaskinen.
7. Drejeringen og ovnens bund skal rengøres regelmæssigt for at undgå for meget larm. Tør ovnbundens overflade af med mildt rengøringsmiddel og varmt vand og tør efter med en ren klud. Drejeringen bør vaskes i mildt sæbevand. Damp fra madlavning samles ved gentagen brug men påvirker på ingen måde bundens overflade eller drejeringens hjul. Sæt drejeringen rigtigt på plads når den fjernes ved rengøring.
8. Denne ovn må kun serviceres af kvalificerede teknikere. Ved vedligeholdelse og reparation af ovnen kontaktes den nærmeste forhandler.
9. Brug ikke damprensere til rengøring.
10. Sørg altid for, at lufthullerne ikke er blokerede. Kontroller, at støv eller andet materiale ikke blokerer lufthullerne øverst, nederst eller bag på ovnen. Hvis lufthullerne blokeres, kan det medføre overophedning, som kan påvirke betjeningen af ovnen.
11. Hvis du undlader at renholde ovnen, er der risiko for, at overfladerne ødelægges, og apparatets levetid dermed reduceres, og der opstår farlige situationer.
12. Anvend ikke skrappe, slibende rengøringsmidler eller skarpe metalskrabere til rengøring af ovnens glaslåge, da disse kan lave ridser i overfladen, hvilket kan forårsage, at glasset splintres.

Tekniske specifikationer

Strømkilde:	230 V ~ 50 Hz	
Strømforbrug:	Mikrobølger	1250 W
Udgangseffekt:	Mikrobølger	800 W (IEC-60705)
Ydre mål:		443 (B)x 340(D) x 258(H) mm
Ovnrummets mål:		306(B) x 308(D) x 215(H) mm
Vægt:		10.5 kg
Støj:		46 dB

De angivne mål og vægt er omtrentlige.

Dette produkt opfylder den europæiske standard EN 55011 for EMC forstyrrelser (EMC = Elektromagnetisk kompatibilitet). I henhold til denne standard er dette produkt et apparat i gruppe 2, klasse B og opfylder kravene for dette. Gruppe 2 betyder, at radio-frekvent energi dannes i form af elektromagnetiske bølger, med henblik på opvarmning af føde. Klasse B betyder, at dette produkt, må anvendes i almindelige husholdninger.



Information om bortskaffelse af brugt elektrisk og elektronisk udstyr (private husholdninger) produkter og/eller medfølgende dokumenter indeholder dette symbol, betyder det, at elektriske apparater og elektronisk udstyr ikke må smides ud sammen med det almindelige husholdningsaffald.

For at sikre en korrekt behandling, indsamling og genbrug, skal du aflevere disse produkter på dertil indrettede indsamlingssteder, hvor de vil blive modtaget uden ekstra omkostninger. I nogle lande er der også mulighed for, at du kan indlevere dine produkter hos den lokale forhandler, hvis du køber et nyt og tilsvarende produkt.

Hvis du bortskaffer dette produkt på korrekt vis, vil det være med at spare på de værdifulde naturlige råstoffer og forhindre eventuelle negative påvirkninger på folkesundheden og miljøet, hvilket ellers kunne blive følgerne af en forkert håndtering af affaldet. Kontakt de lokale myndigheder for at få yderligere oplysninger om, hvor du kan finde det nærmeste indsamlingssted. I visse lande vil en forkert afhændelse af affaldet medføre en bødestraf i henhold til de gældende bestemmelser på området.

Professionelle brugere i EU

Hvis du ønsker at smide elektriske apparater eller elektronisk udstyr ud, skal du kontakte din forhandler eller leverandør for at få yderligere oplysninger.

Oplysninger om bortskaffelse i lande uden for EU

Dette symbol er kun gyldigt i EU.

Hvis du ønsker at bortskaffe dette produkt, skal du rette henvendelse til de lokale myndigheder eller din forhandler. Her kan du få oplysninger om, hvordan du bedst kommer af med produktet.

I overensstemmelse med direktiv 2004/108/EF, punkt 9(2):-

Panasonic Testing Centre

Panasonic Service Europe, en division af Panasonic Marketing Europe GmbH

Winsberggring 15, 22525 Hamburg, Forbundsrepublikken Tyskland.

Fremstillet for Panasonic Corporation af GMMEAM

No. 6 Yong An RD, Beijiao, Shunde, Foshan, Guangdong, Folkerepublikken Kina.

QUELMICROONDES.COM

Installering og tilkøpling

Kontroller at mikrobølgeovnen er i orden.

Pakk ut ovnen, fjern all emballasje og kontroller at ovnen ikke har noen skader som f.eks. bulk-er, ødelagte dørhåndtak eller sprekker i døren. Kontakt din lokale forhandler umiddelbart dersom du finner skader. Installer ikke en skadet mikrobølgeovn.

Jording

VIKTIG: AV SIKKERHETSMESSIGE GRUNNER MÅ DENNE OVNEN JORDES.

Dersom AC-strømuttaket ikke er jordet, er det kjøperens eget ansvar å erstatte den med en jordet stikkontakt.

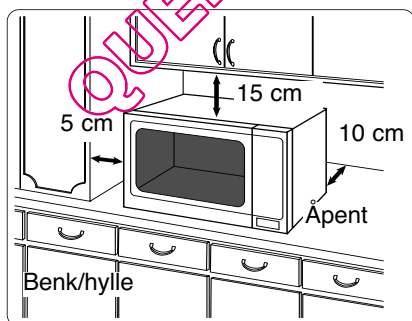
Driftsspenning

Spenningen må være den samme som den spenningen som er angitt på ovnen. Dersom det brukes høyere spenning enn angitt, kan det føre til brann eller andre skader.

Plassering av ovn

Denne ovnen er kun beregnet for husholdningsbruk, på kjøkkenbenk. Den er ikke beregnet for innbygging eller for bruk inne i et skap

1. Plasser ovnen på en flat og stabil overflate, mer enn 85 cm over gulvet.
2. Når ovnen er installert skal det være enkelt å isolere apparatet fra strømtilførselen ved å ta ut støpselet eller ved hjelp av en strømbryter.



3. For sikker drift, sørg for tilstrekkelig luft-sirkulasjon.

På benk:

- a. Det må være 15 cm avstand fra toppen av ovnen, 10 cm bak, 5 cm på den ene siden og mer enn 40 cm på den andre siden.
 - b. Dersom en side av ovnen er plassert i flukt med en vegg, må den andre siden eller toppen ikke blokkeres.
4. Plasser ikke ovnen nær elektrisk komfyr eller gasskomfyr.
 5. Føttene må ikke fjernes.
 6. Denne ovnen er kun til bruk i husholdningen. Bruk ikke ovnen utendørs.
 7. Bruk ikke mikrobølgeovnen ved høy fuktighet.
 8. Ledningen må ikke berøre ovnens utside. La ikke ledningen komme i kontakt med varme overflater. La ikke ledningen henge utenfor bord eller benk. Senk ikke ledningen, støpselet eller ovnen ned i vann.
 9. Blokker ikke luffehullene på toppen og baksiden av ovnen. Dersom disse hullene blokkeres når ovnen er i bruk, kan ovnen overopphetes. I tilfelle overoppheting er ovnen beskyttet med en overopphetingsmekanisme og kan ikke brukes før den er avkjølt.
 10. Dette apparatet er ikke beregnet på å bli brukt med hjelp av en ekstern tidsmåler eller separat jernkontrollsystem.

Installering og tilkopling

ADVARSEL

Viktige sikkerhetsforanstaltninger

1. Dørpakningene og områdene rundt skal rengjøres med en fuktig klut. Kontroller at dørpakningene og områdene rundt ikke er skadet. Dersom disse er skadet, må ovnen ikke brukes før den har blitt reparert av en servicetekniker opplært av produsenten.
2. Forsøk ikke å tukle med eller utføre endringer eller reparasjoner på døren, betjeningspanelets hus, sikkerhetsbrytere eller andre deler på ovnen. Fjern ikke ovenns ytterpanel. Panelet beskytter mot mikrobølgestråling. Reparasjoner må kun utføres av kvalifisert servicetekniker.
3. Bruk ikke apparatet dersom LEDNINGEN ELLER STØPSELET er skadet, hvis apparatet ikke fungerer som det skal, eller hvis det har blitt skadet eller har falt ned. Det er farlig for alle andre enn serviceteknikere opplært av produsenten å utføre reparasjoner.
4. Hvis strømledningen er ødelagt, må den byttes ut av produsenten, deres servicetekniker eller en annen kvalifisert person for å unngå farens risiko.
5. Barn kan kun bruke ovnen uten tilsyn hvis de har fått nødvendige anvisninger, slik at de er i stand til bruke ovnen på en sikker måte og forstår farene ved feilaktig bruk.
6. Væsker eller andre typer matvarer må aldri varmes i en tett beholder, da de kan eksplodere.
7. Dette apparatet er ikke beregnet for bruk av personer (inkludert barn) med reduserte fysiske, sensoriske eller mentale evner, eller mangel på erfaring og kunnskap, med mindre de får tilsyn eller har fått instruksjon om bruk av apparatet av en person som er ansvarlig for deres sikkerhet.
Barn bør overvåkes for å sikre at de ikke leker med apparatet.

QUELMICROONDEES.COM

Sikkerhetsforanstaltninger

Bruk av ovn

1. Bruk ikke ovnen til andre formål enn tilberedning av mat. Denne ovnen er spesielt beregnet på oppvarming av mat og matlagning. Bruk ikke denne ovnen til oppvarming av kjemikalier eller andre produkter enn mat.
2. Før bruk, kontroller at kokekarene er egnet for bruk i mikrobølgeovn.
3. Bruk ikke denne mikrobølgeovnen til å tørke aviser, tekstiler eller andre materialer. De kan antennes.
4. Oppbevar ikke andre gjenstander enn ovnens tilbehør i ovnen når ikke er i bruk, i tilfelle ovnen slås på ved et uhell.
5. Apparatet må ikke brukes UTEN MAT I OVNE. Slik bruk kan skade apparatet.
6. Hvis det oppstår røyk eller ild i ovnen, må du vri TIDSBRYTEREN til null og la døren være lukket. Dra ut ledningen, slå av strømbryteren eller ta ut sikringen for å slå av strømmen.

Lampen i ovnsrommet

Kontakt din lokale forhandler når det er nødvendig å skifte lampen i ovnsrommet.

Tilbehør

Ovnen er utstyrt med ulike typer tilbehør. Følg alltid anvisningene for bruk av tilbehøret.

Glasstallerken

1. Ikke bruk ovnen uten at rulleringen og glassfatet er på plass.
2. Bruk aldri andre typer glasstallerkener enn de som er spesielt laget for ovnen.
3. Dersom glasstallerkenen er varm, la den avkjøles før du rengjør den eller legger den i vann.
4. Glasstallerkenen kan rotere i begge retninger.
5. Dersom mat eller kokekar på glasstallerkenen berører ovnens vegger og hindrer tallerkenen i å rotere, vil tallerkenen automatisk rotere i motsatt retning. Dette er normalt.
6. Tilbered ikke mat rett på glasstallerkenen.

Rullering

1. Rulleringen og ovnens bunn bør rengjøres ofte for å forebygge støy og opphopning av matrester.
2. Rulleringen må alltid brukes til tilberedning med glasstallerkenen.

Viktig informasjon

1. Koketider

Koketiden avhenger av matens konsistens, temperatur, mengde mat og type kokekar.

Begynn med den korteste koketiden for å unngå for lang koketid. Dersom maten ikke er gjennomvarm, kan du alltid varme den litt lenger.

Merk: Dersom anbefalt koketid overskrides, kan maten ødelegges og i ekstreme tilfeller ta fyr og skade ovnen innvendig.

2. Små mengder mat

Små mengder mat eller mat med lavt væskeinnhold kan bli brent, tørke ut eller ta fyr ved for lang koketid. Dersom materialer inne i ovnen antennes, hold døren lukket, skru av ovnen og fjern støpselet fra kontakten.

3. Egg

Du må ikke koke egg i skall eller hele, hardkokte egg med MIKROBØLGER. Trykk kan bygge seg opp slik at egg ene kan eksplodere, selv etter at mikrobølgeoppvarmingen er avsluttet.

4. Prikking av skall

Matvarer med skall som ikke er porøst som f.eks. poteter, eggeplommer og pølser, må prikkes med gaffel før oppvarming med MIKROBØLGE-funksjon slik at de ikke sprekker.

5. Steketermometer

Bruk kun steketermometer for å kontrollere hvor godt stekt kjøtt er etter at kjøttet er fjernet fra mikrobølgeovnen. Bruk ikke vanlig steketermometer i mikrobølgeovn, fordi det kan avgir gnister.

6. Væske

Ved oppvarming av væske som f.eks. supper, sauser og drikker, kan overoppheting over kokepunktet oppstå uten tegn til bobler. Dette kan resultere i at den varme væsken plutselig koker over. Følgende bør gjøres for å unngå dette:

- Bruk ikke kokekar med rette kanter og smal hals.
- Overopphet ikke.
- Rør i væsken før du setter kokekaret i ovnen og igjen etter halv koketid.
- La kokekaret stå i ovnen en kort stund etter oppvarming. Rør igjen før du fjerner kokekaret forsiktig.

7. Papir/plast

Når du varmer mat i plast- eller papirbeholdere, hold øye med ovnen siden denne typen beholdere antennes hvis de overopphetes.

Bruk ikke resirkulerte papirprodukter (f.eks. tørkerull) med mindre produktet er egnet til bruk i mikrobølgeovn. Resirkulerte papirprodukter kan inneholde urenheter som kan avgir gnister og/eller antennes ved bruk.

Fjern metallklips, papir-/plastklips med innvendig metalltråd fra stekeposen før du legger den i ovnen.

8. Kokekar/folie

Varm ikke uåpnede bokser eller flasker. De kan eksplodere.

Metallbeholdere eller fat med metalldekor må ikke brukes i mikrobølgeovn. Metall avgir gnister.

Dersom du bruker aluminiumsfolie, metallspyd eller metallgods, må avstanden mellom disse og ovnens vegger og dør være minst 2 cm for å forhindre gnister.

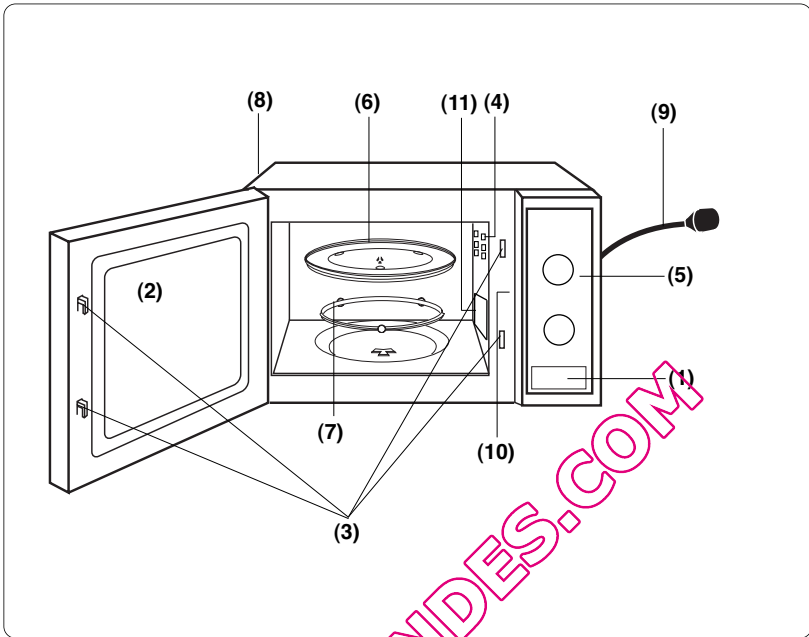
9. Tåteflasker/glass med baby mat

Toppen og smokken eller lokket må fjernes fra tåteflasker eller glass med baby mat før de settes i ovnen.

Innholdet i tåteflasker eller glass med baby mat må ristes eller røres.

Temperaturen må kontrolleres før mating for å unngå forbrenning.

Oversiktsplan



(1) Døråpner

Trykk på knappen for å åpne døren. Hvis du åpner døren mens ovnen er i gang, stopper den midlertidig uten at innstillingene blir slettet. Ovnen starter igjen når du lukker døren.

(2) Ovnsvindu

(3) Sikkerhetssystem for dørlåser

(4) Ovnens luftventiler

(5) Kontrollpanel

(6) Glasstallerken

(7) Rullering

(8) Utvendige luftventiler

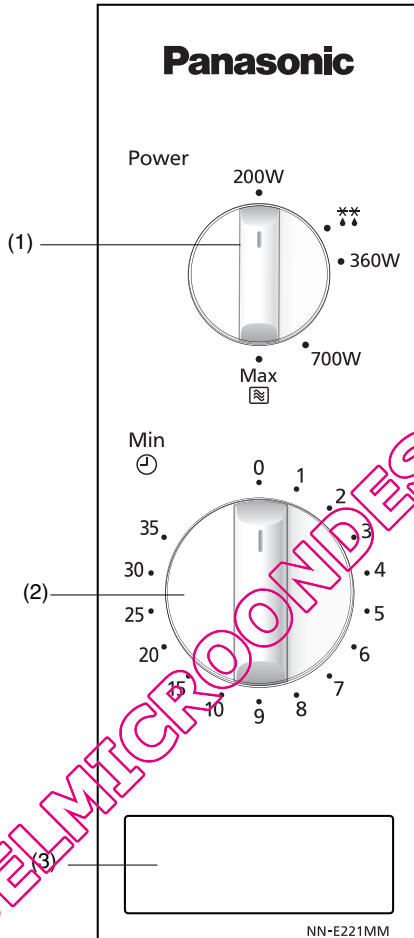
(9) Strømkabel

(10) Identifiseringssetikett

(11) Mikrobølgeleder (må ikke fjernes)

Kontrollpanel

NN-E201WM / NN-E221MM *

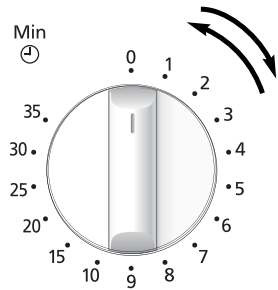
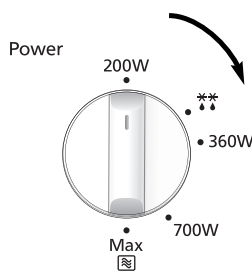


- (1) Bryter for mikrobølgeeffekt tining
- (2) Tidsbryter
- (3) Døråpner

*Merk: Kontrollpanelet på din ovn kan avvike noe fra bildet (avhengig av farge), men tastenes funksjoner er like.

Matlaging med mikrobølger

	Effekt
Høy	800 Watt
Medium	700 Watt
Lav	360 Watt
Tining	270 Watt
Holde varm	200 Watt



• Vri på bryteren for å velge effekt.

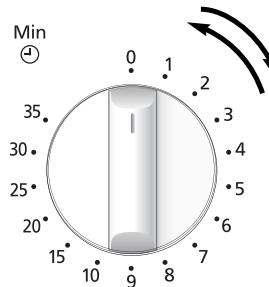
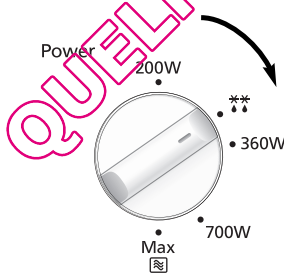
• Angi koketid ved å vri på tidsbryteren. Hvis døren er lukket, settes programmet i gang umiddelbart. Ved kort koketid må bryteren først vises til 2 minutter og deretter justeres til ønsket tid.

Merk.

1. Hvis du vil kontrollere maten underveis, åpner du ganske enkelt døren. Ovnen stopper automatisk. Lukk døren for å fortsette programmet.
2. Hvis du vil avslutte kokeprogrammet, vrir du tidsbryteren til null. Du kan justere kokeprogrammet når som helst ved å vri på tidsbryteren.
3. Kontroller at tids-bryteren står på null etter å ha tatt ut maten fra ovnen.
4. Glasstallerken må alltid være på plass når du bruker ovnen.

Tining

**Tiningseffekt er 270 Watt.

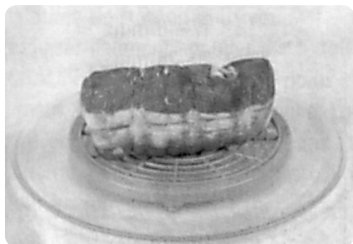


• Velg tining ved å vri på bryteren.

• Angi tiningstid ved å vri på tidsbryteren. Hvis døren er lukket, settes programmet i gang umiddelbart. Ved kort koketid må bryteren først vises til 2 minutter og deretter justeres til ønsket tid.

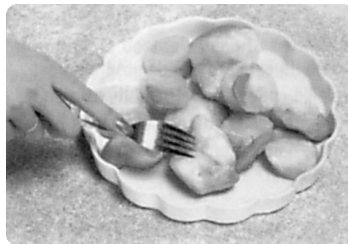
Retningslinjer for tining

Tips for tining



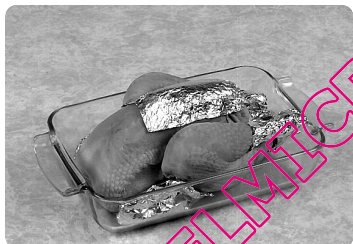
Hviletid

Små porsjoner kan tilberedes nesten rett etter tining. Store porsjoner er vanligvis frosne i midten, og bør derfor hvile i **minst én time** før tilberedning. I løpet av denne tiden blir temperaturen jevnt fordelt, og maten tines ved varmefordeling. **Merk:** Hvis maten ikke skal tilberedes rett etter tining, må den oppbevares i kjøleskap. Du må aldri fryse opptint mat igjen uten å tilberede den først.



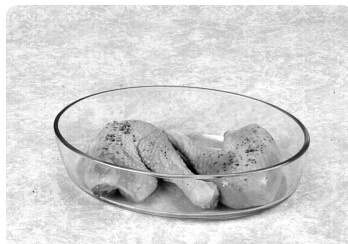
Kjøttdeig eller biter av kjøtt eller sjømat

Utsiden på disse matvarene tiner raskt. Det er derfor viktig å dele dem opp. Del blokkene opp i mindre biter med jevne mellomrom under tiningen, og ta dem ut når de er opptinte.



Stek eller fjerkrå

Vi anbefaler at du legger steken på en tallerken som er plassert opp ned eller på lignende måte, slik at den ikke blir liggende i kraften. Det er viktig å beskytte utsatte eller utstikkende deler av maten med folie, slik at disse delene ikke kokes. Det er ikke farlig å bruke en liten bit med folie i ovnen, men folien må **ikke komme i kontakt med veggene**.



Små porsjoner

Koteletter og kyllingstykker må deles opp så snart som mulig slik at de tines jevnt. Endestykkene og deler med fett på tiner raskere. Legg disse midt i ovnen eller beskytt dem.

Brød

Brødskiver trenger pausetiden hviletid for å tines opp i midten. Hviletiden kan reduseres hvis brødsnivene skilles fra hverandre, og rundstykker og brød skjæres i to.

Spørsmål og svar

Hvorfor starter ikke ovnen?

Kontroller følgende dersom ovnen ikke starter:

1. Er ovnen ordentlig tilkople? Ta ut støpselet, vent 10 sekunder og sett støpselet inn i kontakten igjen.
2. Kontroller strømbryteren og sikringen. Tilbakestill strømbryteren eller skift sikring dersom den har gått.
3. Dersom strømbryteren og sikringen er i orden, kople et annet apparat til kontakten. Dersom dette apparatet virker, er det sannsynligvis noe galt med ovnen. Dersom apparatet ikke virker, er det sannsynligvis noe galt med kontakten. Dersom det virker som om noe er galt med ovnen, kontakt et autorisert serviceverksted.

Mikrobølgeovnen forstyrrer TV-en. Er dette normalt?

Det kan oppstå mindre radio- og TV-forstyrrelser når du bruker mikrobølgeovnen. Denne forstyrrelsen tilsvarer den som oppstår ved bruk av mindre elektriske apparater som f.eks. håndmikserer, støvsugere, hårtørkere o.l. Dette betyr ikke at det er noe galt med ovnen.

Hvorfor dempes lyset i ovnsrommet?

Når ovnen brukes på lavere effekttrinn enn 800 W (høy effekt), trenger ovnen tid for å omstille til de lavere effekttrinnene. Lyset i ovnsrommet dempes og du kan høre klikkelyder mens ovnen omstiller.

Noen ganger kommer det varm luft fra luftehullene. Hvorfor?

Varmen som avgis fra maten varmer opp luften i ovnsrommet. Denne varme luften ledes ut av ovnen gjennom luftehullene i ovnen. Det er ingen mikrobølger i luften. Luftehullene må aldri blokkeres når ovnen er i bruk.

QUELMICROOVNES.COM

Vedlikehold av mikrobølgeovnen

1. Skru av ovnen før rengjøring.
2. Hold ovnsrommet, dørpakningene og områdene rundt rene. Fjern matsøl med en fuktig klut. Mildt rengjøringsmiddel kan brukes hvis nødvendig. Det anbefales ikke å bruke sterke eller slipende rengjøringsmidler. **BRUK IKKE RENGJØRINGSMIDLER FOR STEKEOVN.**
3. Ovnens utvendige overflate rengjøres med en fuktig klut. Vann må ikke sive inn i luft hullene. Dette kan skade de elektriske delene i ovnen.
4. Rengjør betjeningspanelet med en myk, tørr klut. Bruk ikke sterke eller slipende rengjøringsmidler på betjeningspanelet. La døren stå åpen mens du rengjør betjeningspanelet, slik at du ikke skrur på ovnen ved et uhell.
5. Tørk vekk ev. damp på innsiden eller rundt utsiden av ovnsdøren med en myk klut. Damp kan samle seg når ovnen brukes under høy fuktighet og indikerer ikke at det er noe galt med ovnen.
6. Det er av og til nødvendig å ta ut glasstallerkenen og rengjøre den. Vask tallerkenen i varmt såpevann eller i oppvaskmaskin.
7. Rulleringen og ovnbunnen bør rengjøres jevnlig for å unngå overflødig bråk. Bare tørk bunnen av ovnen med mildt vaskemiddel og varmt vann og tørk deretter med en ren klut. Rulleringen kan vaskes i mildt såpevann. Tilberedningsdamp samles opp under gjentatt bruk men påvirker på ingen måte bunnoverflaten eller hjulene på rulleringen. Etter fjerning av rulleringen fra mikroovnens bunn for rengjøring, pass på at den settes tilbake i riktig posisjon.
8. Service må kun utføres av kvalifiserte personer. Kontakt nærmeste autoriserte forhandler for vedlikehold og reparasjon.
9. Ikke bruk damprensere til å rengjøre med.
10. Dersom ovnen ikke rengjøres jevnlig, kan dette føre til svekkelse av overflatene, som igjen kan ha en innvirkning på apparatets levetid, og som også kan føre til en potensielt farlig situasjon.
11. Luftventiler må aldri tildekkes. Sjekk at ikke støv eller annet materiale blokkerer noen av luftventilene over, under eller bak ovnen. Dersom luftventilene blokkeres, kan dette forårsake overoppheting, som igjen kan ha en innvirkning på ovnens drift.
12. Ikke bruk skurende rengjøringsmidler eller skarpe metallskaper for å rengjøre glasset i ovnsdøren ettersom dette kan ripe overflaten, noe som kan resultere i at glasset går i stykker.

Tekniske data

Strømforsyning:	230 V ~ 50 Hz	
Strømforkbruk:	Mikrobølge:	1250 W
Utgangseffekt:	Mikrobølge:	800W (IEC-60705)
Utvendige mål:		443 (B) x 340 (D) x 258 (H) mm
Ovnrommets mål:		306 (W) x 308 (D) x 215 (H) mm
Vekt		10.5 kg
Støynivå:		46 dB

Spesifikasjoner kan endres uten forvarsel.

Dette produktet oppfyller den europeiske standard EN 55011 for EMC forstyrrelser (EMC = Elektromagnetisk kompatibilitet). I henhold til denne standard er dette produkt et apparat i gruppe 2, klasse B og oppfyller kravene for dette. Gruppe 2 betyr at radiofrekvensenergi dannes i form av elektromagnetiske bølger, og er beregnet på oppvarming av mat. Klasse B betyr at dette produkt kan benyttes i alminnelige husholdninger.



Informasjon for brukerne om kassering av elektrisk og elektronisk utstyr (private husholdninger)

Når et produkt og/eller medfølgende dokumenter er merket med dette symbolet, betyr det at det elektriske eller elektroniske utstyret ikke bør kasseres sammen med vanlig husholdningsavfall.

For at det kasserte utstyret skal bli behandlet, gjenvunnet og resirkulert på riktig måte, må du bringe det til nærmeste innsamlingspunkt eller gjenvinningsstasjon. I enkelte land kan du alternativt returnere produktene dine til den lokale forhandleren, eventuelt mot kjøp av et tilsvarende nytt produkt.

Hvis du kasserer dette produktet på riktig måte, bidrar til du til å bevare verdifulle ressurser og til å motvirke de negative virkningene på miljøet og den menneskelige helse som kan forårsakes av feilaktig avfallsbehandling. Ta kontakt med de lokale myndigheter hvis du ønsker ytterligere informasjon om ditt nærmeste innsamlingspunkt.

Feilaktig kassering av dette utstyret kan kanskje botelegges, avhengig av nasjonale lover og regler.

For bedriftskunder i den Europeiske Union

Hvis du ønsker å kassere elektrisk og elektronisk utstyr, må du kontakte forhandleren eller leverandøren din for å få mer informasjon.

Informasjon om kassering i land utenfor den Europeiske Union

Dette symbolet er kun gyldig i den Europeiske Union.

Hvis du ønsker å kassere dette produktet, må du ta kontakt med forhandleren eller de lokale myndigheter og spørre dem om hvordan det skal kasseres på riktig måte.

I overensstemmelse med direktiv 2004/108/EC, artikkel 9(2):-

Panasonic testsenter

Panasonic Service Europe, en avdeling av Panasonic Marketing Europe GmbH
Winsberggring 15, 22525 Hamburg, F.R. Germany.

Produsert for Panasonic Corporation av GMMEAM

No. 6 Yong An RD, Beijiao, Shunde, Foshan, Guangdong, China Peoples Republic of China.

QUELMICROONDES.COM

Asennus ja kytkentä

Tarkista mikroaaltouuni

Pura uuni pakkauksestaan. Poista kaikki pakkausmateriaalit ja tarkista, että uuni ei ole millään tavalla vaurioitunut (ei kolhuja luukussa tai muualla uunissa ja luukun saranat ovat ehjät). Jos havaitset vaurioita, ilmoita asiasta välittömästi jälleenmyyjällesi. Vaurioitunutta mikroaaltouunia ei saa ottaa käyttöön.

Maadoitusohjeet

TÄRKEÄÄ: TURVALLISUUDEN TAKAAMISEKSI ON LAITE MAADOITETTAVA ASIANMUKAISESTI.

Jos virtälähde ei ole maadoitettu, asiakkaan velvollisuus on vaihtaa mikroaaltouunia varten asianmukaisesti maadoitettu pistorasia.

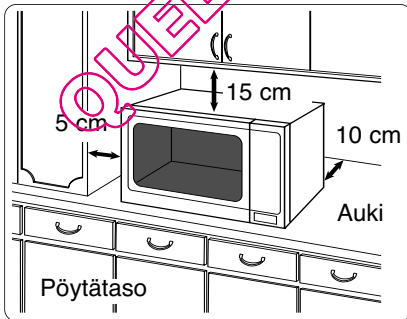
Käyttöjännite

Jännitteen tulee vastata uunin arvokilvessä mainittua arvoa. Jos jännite on korkeampi kuin kilvessä mainittu, seurauksena voi olla tulipalo tai muunlaisia vahinkoja.

Uunin sijoittaminen

Tämä uuni on tarkoitettu kotitalouskäyttöön työtasolla käytettäväksi. Sitä ei ole tarkoitettu sisäänrakennettavaksi tai käytettäväksi kaapin sisällä.

1. Aseta uuni tasaiselle ja vakaalle pinnalle, yli 85 cm lattiapinnan yläpuolelle.
2. Kun uuni on asennettu paikalleen, se täytyy voida irrottaa verkkovirtasta helposti



irrottamalla pistoke virtarasiasta tai kääntämällä katkaisijaa.

3. Asianmukaisen toiminnan varmistamiseksi tarkista, että ilmankierto uunin ympärillä on kunnossa.

Sijoitus pöytätasolle:

- a. Jätä tilaa uunin yläpuolelle 15 cm, taakse 10 cm, toiselle sivulle 5 cm ja toiselle yli 40 cm.
 - b. Jos uunin toinen kylki asetetaan seinää vasten, toisen kyljen tai yläpuolen on oltava avoinna.
4. Älä sijoita uunia lähelle sähkö- tai kaasulietettä.
 5. Uunin jalkoja ei saa poistaa.
 6. Uuni on tarkoitettu ainoastaan kotitalouskäyttöön. Älä käytä uunia ulkona.
 7. Vältä käyttämästä uunia kosteissa olosuhteissa.
 8. Virtajohto ei saa koskettaa uuniin. Pidä johto erillään kuumista pinnoista. Johto ei saa roikkua pöydän tai työtason reunan yli. Älä upota sähköjohtoa, pistoketta tai itse uunia veteen.
 9. Älä tuki uunin päällä ja takana olevia tuuletusaukkoja. Jos tuuletusaukot ovat tukossa toiminnan aikana, uuni saattaa ylikuumentua. Ylikuumentapauksessa uunin varo- laite keskeyttää toiminnan, ja uuni käynnistyy uudelleen vasta sen jäähtytyä.
 10. Tätä laitetta ei ole tarkoitettu käytettäväksi ulkoisen ajastimen tai erillisen kauko- ohjausjärjestelmän avulla.

Asennus ja kytkentä

VAROITUS

Tärkeitä turvallisuusohjeita

1. Luukun tiivisteet ja tiivisteitä ympäröivät alueet pyyhitään kostealla liinalla. Tarkista, että luukun tiivisteet ja ympäröivät alueet eivät ole vahingoittuneet. Jos havaitset vaurioita, älä käytä uunia ennen valmistajan valtuuttaman huoltoteknikon suorittamaa korjausta.
2. Älä yritä itse korjata luukua, ohjauspaneelin koteloa, turvalukituskytkimiä tai mitään muuta uunin osaa. Älä irrota uunin mikroaaltoenergialle altistumiselta suojaavaa ulkopaneelia. Korjaukset saa suorittaa vain asiantunteva huoltoteknikko.
3. Älä käytä laitetta, jos sen SÄHKÖJOHTO TAI PISTOTULPPA on viallinen, jos uuni ei toimi kunnolla tai jos se on vaurioitunut tai pudonnut. Uunin huollon ja korjauksen suorittamiseen liittyy vaaratilanteita eikä niitä sen vuoksi saa tehdä kukaan muu kuin valmistajan valtuuttama huoltoteknikko.
4. Jos sähköjohto on vaurioitunut, anna valmistajan, valmistajan huoltoedustajan tai vastaavan pätevän henkilön vaihtaa se, jotta vaaratilanteita ei pääse syntymään.
5. Lapset saavat käyttää uunia ilman valvontaa vain, jos heille on neuvottu tarkasti, kuinka uunia käytetään turvallisesti, ja he ymmärtävät virheellisestä käytöstä aiheutuvat vaarat.
6. Nesteitä ja ruokaa ei saa lämmittää suljetuissa astioissa räjähdysvaaran vuoksi.
7. Tätä laitetta ei ole tarkoitettu sellaisten henkilöiden käyttöön (lapset mukaan lukien), joiden fyysiset, sensoriset tai henkiset kyvyt ovat heikentyneet, tai joilla ei ole kokemusta laitteen käytöstä, paitsi jos he ovat saaneet laitteen käyttöön liittyvää ohjausta tai opetusta heidän : turvallisuudesta vastaavalla henkilöllä. Lapsia tulee valvoa, jotta varmistutaan, että he eivät leiki laitteen kanssa.

QUELMICROOND

Turvaohjeet

Mikroaaltouunin käyttö

1. Älä käytä uunia muuhun tarkoitukseen kuin ruuan valmistamiseen. Tämä uuni on suunniteltu erityisesti ruuan kuumentamista tai kypsentämistä varten. Älä käytä tätä uunia kemikaalien tai muiden tuotteiden kuumentamiseen.
2. Tarkista ennen käyttöä, että käyttämäsi astiat/säiliöt ovat sopivia mikro-uunikäyttöä varten.
3. Älä käytä tätä mikroaaltouunia sanomalehtien, vaatteiden tai muun materiaalin kuivaamiseen. Ne voivat syttyä tuleen.
4. Jos et käytä uunia, älä säilytä siinä muita esineitä kuin uunin tarvikkeita varoittomana sille, jos uuni vahingossa käynnistetään.
5. Laitetta ei saa käyttää, ELLEI UUNISSA OLE RUOKAA. Uuni saattaa muussa tapauksessa vahingoittua.
6. Jos uunissa syttyy tuli, käännä ajastin NOLLA-asentoon ja jätä uunin ovi kiinni. Vedä uunin pistoke irti pistorasiasta tai katkaise virta ottamalla sulake pois.

Uunin valo

Ota yhteys myyjäliikkeeseen uunin sisällä olevan lampun vaihtoa varten.

Tarvikkeet

Uuni toimitetaan varustettuna tarvikkeivalikoimalla. Noudata aina tarvikkeiden käyttöä varten annettuja ohjeita.

Lasinen aluslautanen

1. Älä käytä uunia ilman pyörivää alustaa ja lasista aluslautasta.
2. Älä koskaan käytä muuta kuin erityisesti tätä laitetta varten tarkoitettua tyyppistä lasista aluslautasta.
3. Jos lasinen aluslautanen on hyvin kuuma, anna sen jäähtyä ennen puhdistamista tai upottamista veteen.
4. Lasinen aluslautanen pystyy pyörimään kumpaankin suuntaan.
5. Jos lasiselle aluslautaselle asetettu ruoka tai kypsennysastia koskettaa uunin seiniin siten, että aluslautanen lakkaa pyörimästä, aluslautanen alkaa automaattisesti pyöriä vastakkaiseen suuntaan. Tämä on aivan normaalia.
6. Älä kypsennä ruokaa suoraan lasisella aluslautasella.

Pyörivä alusta

1. Pyörivä alusta ja uunin pohja tulee puhdistaa säännöllisesti äänien ehkäisemiseksi ja ruokajäämien poistamiseksi.
2. Ruokaa valmistettaessa täytyy aina käyttää pyörivää alustaa ja lasista aluslautasta.

QUELMICROONDEN.COM

Tärkeitä tietoja

1. Kypsennysajat

Kypsennysaika riippuu eri tekijöistä, kuten ruuan laadusta, lämpötilasta, määrästä ja kypsennysastian tyypistä.

Aloita pienimmällä kypsennysajalla ylikypsymisen estämiseksi. Ellei ruoka ole riittävästi kypsynyttä, voit kypsentää sitä hieman pitempään.

Huomautus:

Jos suositetut kypsennysajat ylitetään, ruoka menee pilalle ja saattaa äärimmäistapauksissa syttyä tuleen ja vahingoittaa uunista.

2. Pienet ruokamäärät

Pienet ruokamäärät tai ruuat, joiden kosteuspitoisuus on pieni, saattavat palaa, kuivua tai syttyä tuleen, jos kypsennystä jatketaan liian pitkään. Jos materiaali uunin sisällä syttyy, pidä uunin ovi suljettuna ja irrota verkkojohdon pistoke pistorasiasta.

3. Kananmunat

Älä kuumenna kananmunia kuorineen tai kuumenna kokonaisia keitettyjä kananmunia MIKROAALTOTOIMINNOLLA. Kananmunien sisään voi kertyä painetta ja ne voivat räjähtää, vaikka mikroaaltokuumennus on jo päättynyt.

4. Reikien pistäminen kuoreen

Ruokiin, joilla on tiivis kuori, kuten perunat, munankeltuaiset ja makkarat, on pistettävä reikiä ennen kypsennystä MIKROAALTOTOIMINNOLLA, jotta ne eivät räjähtäisi mikroaaltouunissa.

5. Lihalämpömittari

Käytä lihalämpömittaria paistien ja siipikarjan lihan kypsennysasteen tarkistamiseksi vasta otettuasi ruuan pois uunista. Älä käytä tavallista lihalämpömittaria, koska se voi synnyttää kipinöintiä.

6. Nesteet

Kuumentaessasi mikroaaltouunissa nesteitä, kuten keittoja, kastikkeita ja juomia, neste voi kuumeta kiehumispisteen yli ilman että neste kuplii. Tämä johtaa nesteen äkilliseen ylikiehumiseen.

Suorita seuraavat toimenpiteet tämän välttämiseksi:

a) Vältä käyttämästä kapeakaulaisia suorasivuisia säiliöitä.

b) Älä kuumenna liikaa.

c) Sekoita neste ennen säiliön asettamista mikroaaltouuniin. Sekoita uudelleen puolivälissä kypsennysaikaa.

d) Anna nesteen lämpötilan tasaantua uunissa hetken aikaa kypsennyksen jälkeen. Sekoita uudelleen ennen kuin varovasti poistat säiliön uunista.

7. Paperi/muovi

Jos kuumennat ruokaa muovi- tai paperiastiassa, tarkista uunin väliä, koska tämän tyyppiset astiat syttyvät helposti ylikuumetessaan.

Älä käytä kierrätyspaperituotteita (esim. keittiöpaperia) ellei paperituotteessa ole mainintaa, että sitä voidaan turvallisesti käyttää mikroaaltouunissa.

Kierrätyspaperituotteet saattavat sisältää epäpuhtauksia, jotka aiheuttavat kipinöintiä ja/tai tulipalon käytön aikana.

Poista metalliset kierresiteet paahtopusseista ennen pussien sijoittamista uuniin.

8. Keittiövälineet

Älä kuumenna suljettuja purkkeja tai pulloja, koska ne voivat räjähtää.

Metallikoristeisia säiliöitä tai astioita ei pidä käyttää mikroaaltouunikypsennyksessä, sillä ne aiheuttavat kipinöintiä.

Jos käytät alumiinifoliota, lihapiiikkejä tai muunlaisia metallitarvikkeita, jätä vähintään 2 cm tilaa niiden, sekä uunin seinien ja oven väliin kipinöinnin estämiseksi.

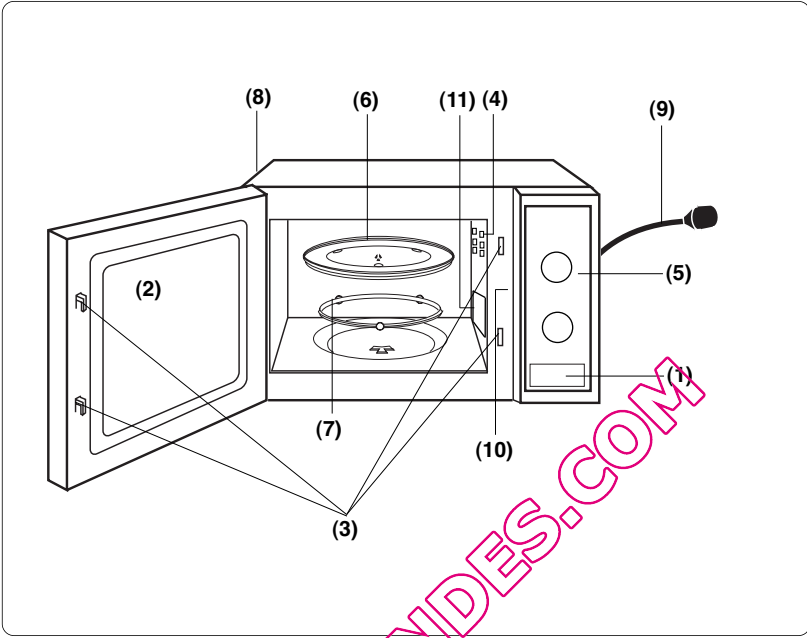
9. Syöttöpullot/lastenruokapurkit

Poista yläosa, tutti tai kansi syöttöpulloista tai lastenruokapurkeista ennen asettamista uuniin.

Sekoita syöttöpullojen ja lastenruokapurkkien sisältö.

Tarkista lämpötila ennen tarjoilua palovammojen estämiseksi.

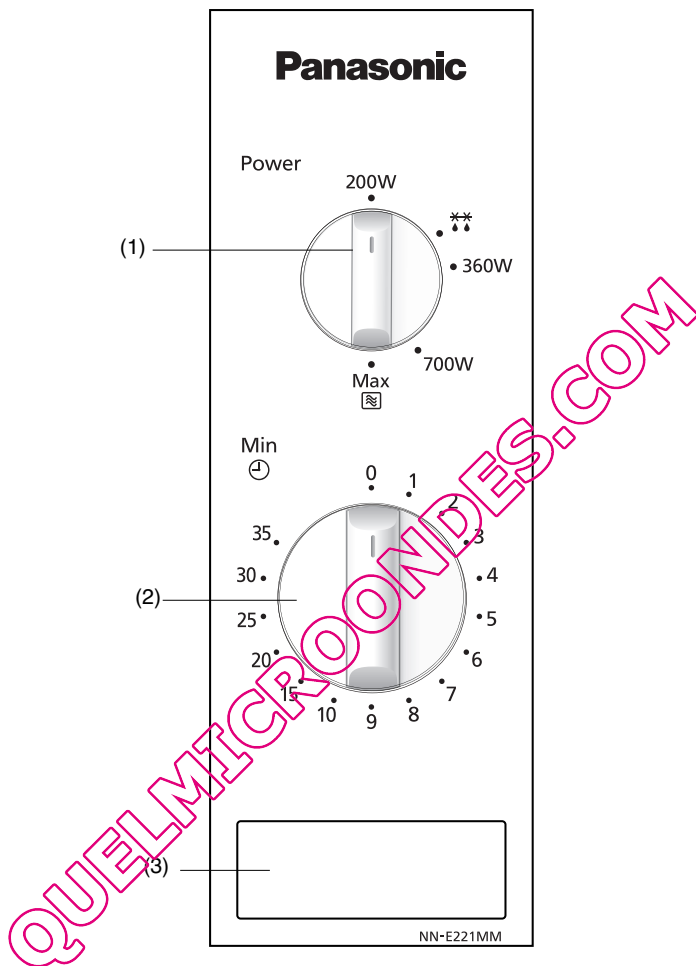
Uunin kaaviokuva



- (1) **Oven avauspainike**
Avaa ovi painikkeesta. Jos avaat oven kypsennyksen aikana, kypsennys keskeytyy, mutta tehdyt asetukset jäävät voimaan. Kypsennys jatkuu heti kun ovi suljetaan.
- (2) **Uunin ikkuna**
- (3) **Oven turvalukkolaite**
- (4) **Uunin tuuletusaukko**
- (5) **Ohjauspaneeli**
- (6) **Lasinen aluslautanen**
- (7) **Pyörivä alusta**
- (8) **Tuuletusaukko**
- (9) **Virtajohto**
- (10) **Arvokilpi (uunin takana)**
- (11) **Mikroaaltosyötön ohjain (älä poista)**

Ohjauspaneeli

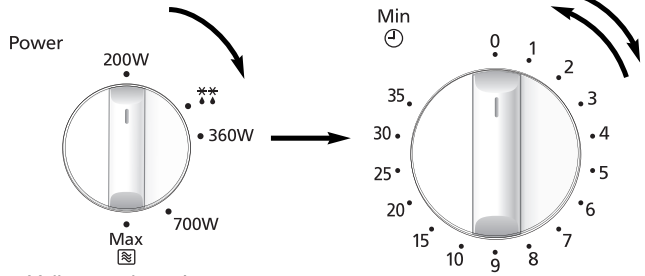
NN-E201WM / NN-E221MM *



*HUOM. Uunisi ohjauspaneeli saattaa poiketa kuvasta (riippuen väristä).

Kypsennys

	Teho
Korkea	800 Wattia
Keski	700 Wattia
Matala	360 Wattia
Sulatus	270 Wattia
Lämmitys	200 Wattia



- Valitse sopiva teho kääntämällä valitsinta.

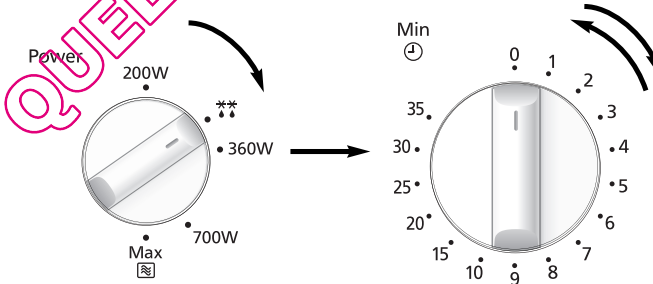
- Säädä kypsennysaika kääntämällä kytintä. Jos uunin ovi on jo suljettu, kypsennys alkaa välittömästi. Jos kypsennysaika on lyhyt, käännä ajastinta ensin 2 minuutin kohdalle ja säädä sitten haluttu aika.

HUOM.

1. Mikäli haluat tarkastaa ruoan tilan kypsennyksen aikana, avaa vain uunin ovi. Uuni pysäyttää automaattisesti kypsennyksen. Kun haluat jatkaa kypsennystä, sulje ovi.
2. Kun haluat lopettaa kypsennyksen, käännä ajastin NOLLA-asentoon. Voit säätää kypsennysaikaa milloin tahansa kypsennyksen ollessa käynnissä kääntämällä ajastinkytkintä.
3. Kun olet poistanut kypsennetyn ruoan uunista, tarkasta, että ajastin on NOLLA-asennossa.
4. Lasisen aluslautasen on oltava paikallaan aina uunia käytettäessä.

Sulatus

** Sulatusteho on 270 wattia.

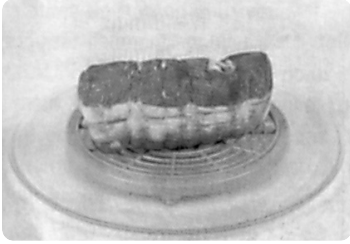


- Valitse sulatusteho kääntämällä valitsinta.

- Säädä sulatusaika kääntämällä ajastinta. Jos uunin ovi on jo suljettu, kypsennys alkaa välittömästi. Jos kypsennysaika on lyhyt, käännä ajastin ensin 2 minuutin kohdalle ja säädä sitten haluttu aika.

Sulatusohjeet

Vihjeitä sulatukseen



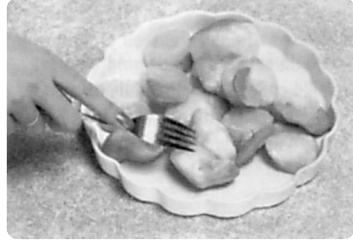
Odotusaika

Yksittäiset ruoka-annokset voidaan kypsentää lähes välittömästi sulatuksen jälkeen. On tavalista, että isot annokset jäävät keskeltä jäisiksi. Anna näiden seistä vähintään yksi tunti ennen kypsentämistä. Tämän odotusajan kuluessa lämpö jakautuu tasaisesti ja jäinen osa sulaa. Huom! Jos ruokaa ei kypsennetä välittömästi, pane se jääkaappiin. Älä pakasta sulatettua ruokaa uudelleen kypsentämättä sitä ensin.



Luinen liha ja linnut

Luinen liha kannattaa asettaa ylösalaisin käännetyn lautasen tai muoviruokan päälle siten, että liha ei ole nesteessään. Herkät ja ulkonevat osat on suojattava pierillä foliopaloilla, jotta ne eivät ala kypsyä. Pienet foliopalat eivät vahingoita mikroaaltouunia, jos ne eivät kosketa uunin seinämiin.



Jauheliha, lihakuutiot, kala ja äyriäiset

Koska näiden elintarvikkeiden ulkopinta sulaa nopeasti, niitä on irroteltava toisistaan tai lohkottava pienemmiksi paloiksi moneen otteeseen sulatuksen aikana, ja palat on otettava pois uunista sitä mukaa kun ne sulavat.



Pienet annospalat

Kyljykset ja broileripalat on eroteltava toisistaan mahdollisimman pian, jotta ne sulavat kauttaaltaan tasaisesti. Rasvaiset palat ja kärjet sulavat muita osia nopeammin. Aseta ne pyörivän aluslautasen keskelle tai suoja ne.

Leipä

Isojen limppujen on annettava seistä sulatuksen jälkeen, jotta ne sulavat myös keskeltä. Odotusaikaa voidaan lyhentää, jos viipaleet erotellaan toisistaan ja sämpylät ja limput halkaistaan.

Kysymyksiä ja vastauksia

K: Miksi uuni ei käynnisty?

V: Tarkista seuraavat kohdat, jos uuni ei käynnisty:

1. Onko uuni kytketty pistorasiaan oikealla tavalla? Irrota verkkojohdon pistoke pistorasiasta, odota 10 sekuntia ja kytke sitten verkkojohto uudelleen.
2. Tarkista katkaisin ja sulake. Paina katkaisinta tai vaihda sulake, jos se on palanut.
3. Jos katkaisin tai sulake on kunnossa, kytke jokin toinen laite kyseiseen pistorasiaan. Jos tämä toinen laite toimii, uunissa on todennäköisesti jokin vika. Ellei tämä toinenkaan laite toimi, vika on pistorasiassa. Ota yhteys valtuutettuun huoltoliikkeeseen, jos uunissa on jokin vika.

K: Uunin käyttö aiheuttaa häiriöitä TV- vastaanotimessa. Onko tämä normaalia?

V: Mikroaaltouunin käytön aikana saattaa ilmetä jonkin verran häiriöitä. Nämä häiriöt ovat samankaltaisia kuin pienten laitteiden, kuten tehosekoittimien, pölynimureiden, hiustenkuivaajien, jne. aiheuttamat. Se ei tarkoita, että uunissa olisi vikaa.

K: Miksi uunin valaistus on himmeä?

V: Jos kypsentaminen tapahtuu jollakin muulla teholla kuin 800 W (täysi teho), uuni joutuu toimimaan jaksoissa pienempien tehojen saavuttamiseksi. Valaistus himmenee ja kuuluu napsahdavia ääniä uunin käydessä jaksoittain.

K: Uunin tuuletusaukoista puhaltaa välillä lämmintä ilmaa. Miksi?

V: Lämmin ilma johtuu uunitilassa olevan kypsyvän ruuan säteilemästä kuumuudesta. Tämä lämmin ilma poistuu uunin tuuletusaukkojen kautta. Ilma ei sisällä mikroaaltoja. Uunin tuuletusaukkoja ei saa peittää kypsennyksen aikana.

QUELMICHOODS.COM

Uunin hoito

1. Katkaise virta uunista ennen puhdistamista.
2. Pidä uunin sisäpinnat, ovitiivisteet ja tiivistealueet puhtaina. Jos uunin seiniin, tiivisteisiin ja tiivistealueisiin roiskuu tai valuu nestettä, pyyhi ne puhtaiksi kostealla liinalla. Käytä mietoa puhdistusainetta, jos ne ovat hyvin likaisia. Emme suositella voimakkaiden tai hankaavien puhdistusaineiden käyttöä. **ÄLÄ KÄYTÄ MYYNNISSÄ OLEVIA NORMAALIN UUNIN PUHDISTUSAINETA.**
3. Puhdista uunin ulkopinnat kostealla liinalla. Estä veden valuminen tuuletusaukkoihin uunin sisäisten osien vahingoittumisen estämiseksi.
4. Jos ohjauspaneeli likaantuu, puhdista se pehmeällä, kuivalla liinalla. Älä käytä voimakkaita tai hankaavia puhdistusaineita ohjauspaneelin puhdistamiseen. Puhdistaessasi ohjauspaneelia, jätä uunin ovi auki estääksesi uunia käynnistymästä vahingossa. Käännä ajastin takaisin NOLLA-asentoon puhdistuksen jälkeen.
5. Jos höyryä kerääntyy uunin oven sisäpuolelle tai ulkopuolelle oven ympärille, pyyhi se pois pehmeällä liinalla. Höyryä saattaa syntyä, jos mikroaaltouunia käytetään erittäin kosteissa olosuhteissa, eikä tämä missään tapauksessa tarkoita, että uuni olisi viallinen.
6. Poista lasinen aluslautanen silloin tällöin puhdistusta varten. Pese se lämpimällä saippuavedellä tai astianpesukoneessa.
7. Pyörivä alusta ja uunin pohja täytyy puhdistaa säännöllisesti liiallisten äänien estämiseksi. Pyyhi uunin pohja miedolla pesuaineella ja kuumalla vedellä ja kuivaa puhtaalla liinalla. Pyörivän alustan voi myös pestä miedossa tiskiainevedessä. Kypsennettäessä vapautuu höyryä toistuvassa käytössä, mutta se ei vaikuta millään tavoin uunin pohjaan tai pyörivän alustan pyöriin. Poistettuasi pyörivän alustan syvennyksen pohjalta puhdistusta varten, varmista, että laitat sen takaisin oikeaan asentoon.
8. Ainoastaan valtuutetun huoltoteknikon on luvallista huoltaa tai korjata uunia. Ota yhteys lähimpään valtuutettuun jälleenmyyjään uunin huolto- ja korjausasioissa.
9. Puhdistamiseen ei saa käyttää höyrypuhdistinta.
10. Pidä tuuletusaukot aina puhtaina. Tarkista, että pöly tai muut aineet eivät tuki uunin ylä- ala- ja takaosassa olevia tuuletusaukkoja. Tuuletusaukkojen tukkeutuminen voi aiheuttaa ylikuumenemisen, joka vaikuttaa uunin toimintaan.
11. Jos uunia ei pidetä puhtaana, pinnat voivat heiketä. Tämä vaikuttaa laitteen kestoon ja voi aiheuttaa mahdollisesti vaaratilanteen. Ilmanpoistoaukkojen tukkeutuminen voi aiheuttaa ylikuumenemista, joka vaikuttaa uunin toimintaan ja saattaa mahdollisesti aiheuttaa vaaratilanteen.
12. Älä käytä kovia hankaavia puhdistusaineita tai teräviä metallikaapimia uunin luukun lasin puhdistukseen, koska ne voivat naarmuttaa pintaa, mikä saattaa johtaa lasin rikkoutumiseen.

Tekniset tiedot

Virtalähde:	230 V ~ 50 Hz
Tehonkulutus:	Mikroaalto; 1250 W
Lähtöteho:	Mikroaalto; 800 W (IEC-60705)
Ulkomitat:	443 (L) x 340 (S) x 258 (K) mm
Uunitilanmitat:	306 (L) x 308 (S) x 215 (K) mm
Paino:	10.5 kg
Ääni:	46dB

Kaikki oikeudet pidätetään.

Tämä on laite, joka täyttää Eurooppalaisen EMC-standardin (EMC = sähkömagneettinen yhteensopivuus) EN 55011. Tämän standardin mukaan laite kuuluu ryhmään 2, luokkaan B ja täyttää vaaditut ehdot. Ryhmä 2 tarkoittaa, että radioaaltoenergiaa syntyy tarkoituksellisesti sähkömagneettisen säteilyn muodossa ruoan lämmittämiseksi tai kypsentämiseksi. Luokka B tarkoittaa, että tätä laitetta voidaan käyttää kotitalouksissa.



Tietoja sähkö- ja elektroniikkalaitteiden hävittämisestä (kotitaloudet)

Tämä symboli tuotteissa ja/tai niiden käyttöohjeissa osoittaa, että käytettyjä sähkö- ja elektroniikkalaitteita ei saa hävittää tavallisen kotitalousjätteen mukana. Jotta laitteet käsiteltäisiin kerättäisiin ja kierrätettäisiin asianmukaisesti, toimita ne kierrätyspisteisiin, jotka vastaanottavat tällaisia laitteita ilmaiseksi. Joissakin maissa kuluttajat voivat myös palauttaa käytetyt laitteet paikalliselle jälleenmyyjälle, jos he ostavat tilalle uuden vastaavanlaisen tuotteen.

Tämän tuotteen asianmukainen hävittäminen säästää luonnonvaroja ja estää mahdollisesti muutoin syntyviä ympäristö- ja terveysongelmia. Lähitöllä sijaitsevista kierrätyspisteistä saa lisätietoja paikallisilta viranomaisilta. Jätelaissa ja rikoslaissa on säädetty rangaistus roskaamisesta ja lainvastaisesta hävittämisestä.

Yrityskäyttäjät Euroopan unionissa

Jos haluat hävittää sähkö- ja elektroniikkalaitteita, kysy lisätietoja jälleenmyyjältä tai tavarantoimittajalta.

Tietoja jätteiden käsittelystä Euroopan unionin ulkopuolella

Tämä symboli on käytössä vain Euroopan unionissa.

Jos haluat hävittää tämän tuotteen, tiedustele oikeaa hävitystapaa paikallisilta viranomaisilta tai jälleenmyyjältä.

EMC-direktiivin 2004/108/EC, artiklaa 9(2), noudattaen:-

Panasonic-testauslaitos

Panasonic Service Europe, Panasonic Marketing Europe GmbH:n osasto.

Winsbergring 15, 22525 Hamburg, F.R. Germany.

Valmistettu Panasonic Corporationille GMMEAM:in toimesta

No. 6 Yong An RD, Beijiao, Shunde, Foshan, Guangdong, Peoples Republic of China.

QUELMICROONDES.COM

Instalace a připojení

Zkontrolujte troubu

Vybalte troubu, odstraňte veškerý balicí materiál a zkontrolujte, zda trouba není nějak poškozená (prohnutý plech, zlomené západky dvířek nebo prasklá dvířka). Pokud objevíte nějaké poškození, okamžitě informujte prodejce. Poškozenou mikrovlnnou troubu neinstalujte.

Zemnění

POZOR: K ZAJIŠTĚNÍ BEZPEČNOSTI OSOB JE NUTNÉ, ABY TOTO ZAŘÍZENÍ BYLO ŘÁDNĚ UZEMNĚNO.

Pokud zásuvka nemá zemnění, je na zákazníkoví, aby si nechal vyměnit za řádně uzemněnou.

Pracovní napětí

Napětí v síti musí odpovídat hodnotě uvedené na štítku přístroje. Vyšší napětí, než je uvedeno, může způsobit požár nebo jiné škody.

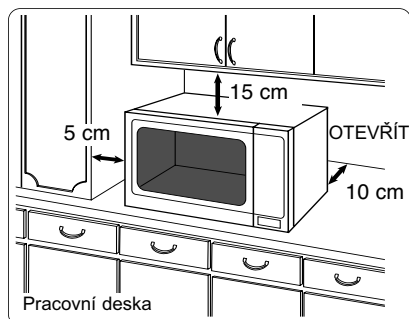
Umístění trouby

Tato trouba je určena pouze pro použití na pracovní desce v domácnosti. Není určena k zabudování do skřínky.

1. Troubu umístěte na rovnou a stabilní plochu, výš než 85 cm nad podlahu.
2. Nainstalovanou troubu musí být snadno odpojit od zdroje elektrické energie buď vytažením ze zásuvky, nebo vypnutím jističe.
3. Aby byla zajištěna správná funkce trouby, je třeba aby kolem ní mohl proudit dostatek vzduchu.

Použití na pracovní desce kuchyňské linky:

- a. Volný prostor kolem trouby: 15 cm nad troubou, 10 za troubu, 5 cm na jedné straně a na druhé straně musí být volný prostor alespoň v délce 40 cm.
- b. Pokud jedna strana přiléhá těsně ke zdi, druhá nebo horní strana trouby musí být zcela volná.



4. Neumísťujte troubu v blízkosti elektrické ani plynové varné desky.
5. Neodstraňujte nožky trouby.
6. Tato trouba je určena pro použití v domácnosti. Nepoužívat venku.
7. Nepoužívejte troubu v prostředí s vysokou vlhkostí vzduchu.
8. Přívodní kabel se nesmí dotýkat pláště trouby ani žádného horkého povrchu. Nenechávejte kabel viset přes hranu stolu nebo pracovní desky linky. Přívodní kabel, zástrčku ani troubu nepoňujte do vody.
9. Nezakrývejte ventilační otvory na horní a zadní straně trouby. Pokud jsou tyto otvory při provozu trouby zakryty, může dojít k přehřívání trouby. Pro tento případ je trouba vybavena termostatem, který ji vypne a obnoví provoz až po jejím vychladnutí.

Instalace a připojení

VAROVÁNÍ

Důležité bezpečnostní pokyny

1. Těsnění dveří a těsnící plochy čistěte navlhčenou tkaninou. U trouby je třeba kontrolovat, zda nejsou poškozena těsnění a těsnící plochy. Pokud jsou tyto oblasti poškozeny, trouba se nesmí používat, dokud nebude opravena servisním technikem vyškoleným výrobcem.
2. Nepokoušejte se nijak zasahovat do zařízení, ani upravovat nebo opravovat dvířka, kryt ovládacího panelu, bezpečnostní západky ani jiné části trouby. Neodstraňujte vnější plášť trouby, který poskytuje ochranu před mikrovlnným zářením. Opravy smí provádět pouze kvalifikovaný servisní technik.
3. Troubu neuvádějte do provozu, jestliže má poškozený PŘÍVODNÍ KABEL nebo ZÁSTRČKU, pokud nefunguje správně, pokud je poškozena, nebo došlo k jejímu pádu. Provádění oprav kýmoli jiným než kvalifikovaným servisním technikem vyškoleným výrobcem je nebezpečné.
4. Dojde-li k poškození přívodního elektrického kabelu, musí být vyměněn za speciální kabel od výrobce.
5. Dětem dovolte ovládat mikrovlnnou troubu bez dohledu pouze v případě, že jim byly dány dostatečné instrukce tomu, aby troubu bezpečně používaly a chápaly nebezpečí spojená s nesprávným použitím.
6. Tekutiny ani jiné pokrmy nesmí být ohřívány v uzavřených nádobách, protože by mohly explodovat.
7. Toto zařízení nemohou používat osoby (včetně dětí) se sníženými fyzickými, smyslovými nebo mentálními schopnostmi nebo s nedostatkem zkušeností a znalostí, pokud nejsou pod dohledem nebo nebyly instruovány ohledně používání tohoto zařízení osobou zodpovědnou za jejich bezpečnost. Děti musí být pod dohledem, aby si se spotřebičem nehraly.

QUELMICROONDES.COM

Bezpečnostní pokyny

Použití trouby

1. Troubu nepoužívejte k žádnému jinému účelu než k přípravě pokrmů. Trouba je zkonstruována pro ohřívání a vaření potravin – nepoužívejte ji k ohřívání chemikálií ne jiných nepotravinových výrobků.
2. Před použitím trouby se přesvědčte, zda Vaše nádobí je vhodné pro mikrovlnné trouby.
3. Nepokoušejte se mikrovlnnou troubou používat k sušení novin, ošacení nebo jiných materiálů. Mohlo by dojít k jejich vznícení.
4. Když troubu nepoužíváte, neskladujte v ní žádné jiné předměty než její příslušenství pro případ, že troubu náhodou zapnete.
5. Trouba se nesmí uvádět do chodu BEZ JÍDLA, mohlo by dojít k jejímu poškození.
6. Pokud se v troubě objeví kouř nebo plameny, stiskněte tlačítko Stop/Zrušit nebo otočte ovladačem času/hmotnosti zpět na pozici 0 a nechejte dvířka zavřená. Odpojte kabel ze zásuvky nebo pojistkou či jističem vypněte přívod elektrické energie.

Osvětlení trouby

V případě nutnosti výměny světla trouby se poraďte s prodejcem.

Příslušenství

Součástí trouby je sada příslušenství.

Při jeho použití se vždy řiďte návodem.

Skleněný talíř

1. Troubu nepoužívejte bez otočného prstence a skleněného talíře na správném místě.
2. Nikdy nepoužívejte jiný typ skleněného talíře, než ten, který je zkonstruován pro tento typ trouby.
3. Pokud je talíř rozeřtáný, nechejte jej před čištěním nebo ponořením do vody vychladnout.
4. Skleněný talíř se může otáčet oběma směry.
5. Pokud se jídlo nebo nádoba umístěná na otočném talíři dotkne stěn trouby a talíř zastaví, talíř se automaticky začne otáčet opačným směrem. Toto je normální stav.
6. Nevařte jídlo přímo na skleněném talíři.

Otočný prsteneč

1. Otočný prsteneč a dno trouby pravidelně čistěte, abyste zabránili vzniku hluku a nahromadění zbytků potravin.
2. Při vaření je třeba vždy používat otočný prsteneč a skleněný talíř.

QUELMICROONDING.COM

Důležité informace

1. Doba přípravy

Doba přípravy závisí na stavu, teplotě a množství pokrmu a typu nádoby.

Začněte s nejkratší dobou přípravy, abyste pokrm nepřevařili. Pokud jídlo není ještě dostatečně uvařeno, můžete je vždy povařit o něco déle.

Poznámka: Pokud překročíte doporučené časy pro vaření, dojde ke znehodnocení pokrmu a v extrémních případech může dojít i k jeho vznícení a poškození vnitřního prostoru trouby.

2. Malé množství pokrmu

Malá množství pokrmu nebo pokrmy s nízkým obsahem kapaliny se mohou při dlouhém vaření spálit, vysušit nebo vznítit. Pokud dojde ke vznícení uvnitř trouby, nechejte dvířka zavřená, troubu vypněte a vytáhněte přívodní kabel ze zásuvky.

3. Vajíčka

V mikrovlnné troubě neohřívejte vejce ve skořápce nebo celá vejce natvrdo, protože by mohla po ohřátí explodovat.

4. Propíchnutí povrchu

Pokrmy, které nemají porézní povrch (brambory, vaječné žloutky, párky), je nutné před přípravou v mikrovlnné troubě propíchnout, aby nedošlo k jejich puknutí.

5. Teploměr na maso

Teploměr na maso, kterým se zjišťuje stav uvaření pečeně nebo drůbeže, používejte výhradně po vytažení pokrmu z trouby.

Teploměr do klasické trouby nepoužívejte v mikrovlnné troubě, protože může způsobovat jiskření.

6. Tekutiny

Při ohřívání tekutin (např. polévka, omáčky nebo nápoje) v mikrovlnné troubě může dojít k jejich varu bez průvodního jevu bublání. V důsledku varu může dojít k náhlému přetečení kapaliny z nádoby.

Aby k tomu nedošlo, je třeba dodržovat následující postup:

- Nepoužívejte nádoby s rovnými stěnami a úzkým hrdlem.
- Tekutiny nepřehřívejte.
- Tekutinu zamíchejte před umístěním do trouby a potom znovu v polovině doby přípravy.
- Po ohřátí nechejte tekutinu na chvíli stát v troubě a znovu ji zamíchejte před opatrným vyjmutím nádoby.

7. Papír/Plasty

Při ohřívání pokrmů v papírových nebo plastových nádobách často troubu kontrolujte, protože tento typ nádob se může při přehřátí vznítit.

Nepoužívejte produkty z recyklovaného papíru (např. kuchyňské papírové utěrky), pokud na nich není uvedeno jsou bezpečné pro použití v mikrovlnné troubě. Recyklovaný papír může obsahovat nečistoty, které mohou při použití v mikrovlnné troubě způsobovat jiskření nebo vznícení.

Před umístěním sáčků do trouby odstraňte drátěné uzávěry.

8. Nádobí/Fólie

Neohřívejte uzavřené plechovky nebo láhve, protože by mohlo dojít k jejich explodování.

Pro mikrovlnné vaření se nesmí používat kovové nádoby nebo nádobí s kovovým okrajem – může dojít k jiskření.

Při použití alobalu, špičkových jehel nebo jiných kovových předmětů je třeba dodržet vzdálenost mezi těmito předměty a stěnami a dvířky trouby minimálně 2 cm, aby nedošlo k jiskření.

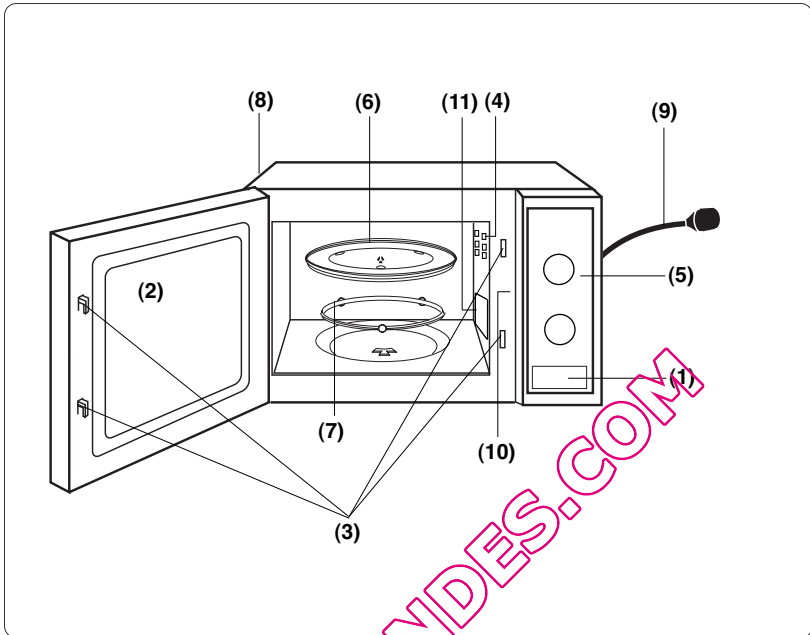
9. Kojenecké láhve/Sklenice s dětskou výživou

Před umístěním kojeneckých lahví nebo sklenic s dětskou výživou je nutné sejmout víčko a savičku.

Obsah láhve nebo sklenice je třeba promíchat nebo protřepat.

Aby nedošlo k popálení je třeba před podáváním zkontrolovat teplotu pokrmu.

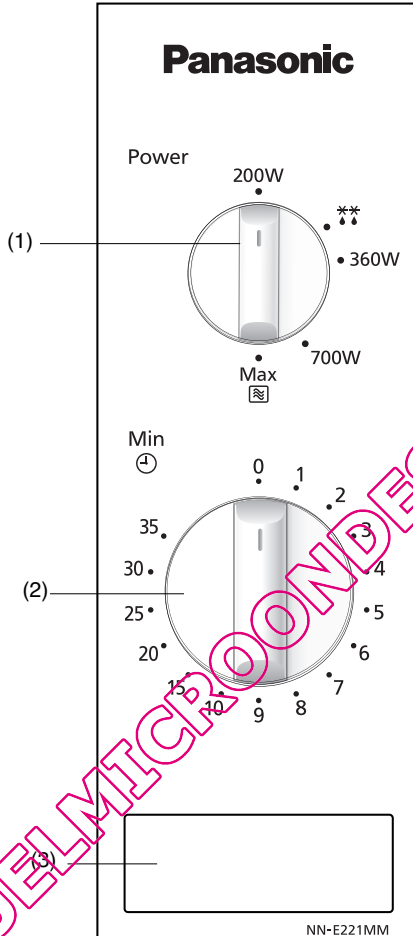
Nákres



- (1) **Tlačítko otevírání dvířek**
Stisknutím tlačítka se otevírají dvířka. Pokud otevřete dvířka při vaření, dojde k přerušení vaření, aniž by se vymazala dřívější nastavení. Dojde k opětovnému zahájení vaření po zavření dvířek.
- (2) **Okénko dvířek**
- (3) **Bezpečnostní uzamykací systém**
- (4) **Vnitřní ventilační otvory**
- (5) **Ovládací panel**
- (6) **Skleněný talíř**
- (7) **Otočný prstěnek**
- (8) **Vnější ventilační otvory**
- (9) **Síťový kabel**
- (10) **Identifikační štítek**
- (11) **Výstup mikrovln (Neodstraňujte)**

Ovládací panely

NN-E201WM / NN-E221MM *

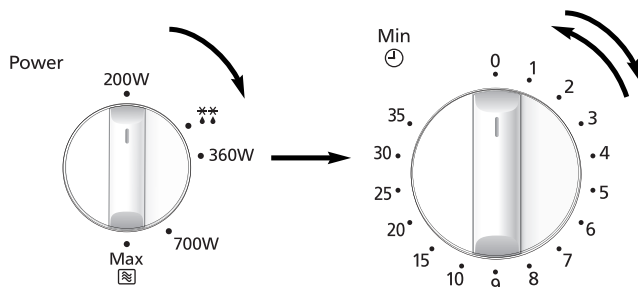


- (1) Ovladač nastavení mikrovlnného výkonu/rozmrazování
- (2) Časovač
- (3) Tlačítko otevření dvířek

POZNÁMKA: Vzhled panelu se může měnit (v závislosti na barevném provedení trouby), ale funkce ovládacích prvků je stejná.

Vaření v režimu Mikrovlny

Výkon ve W	
Maximální výkon	800 W
Střední výkon	700 W
Nízký výkon	360 W
Rozmrazování	270 W
Ohřívání	200 W



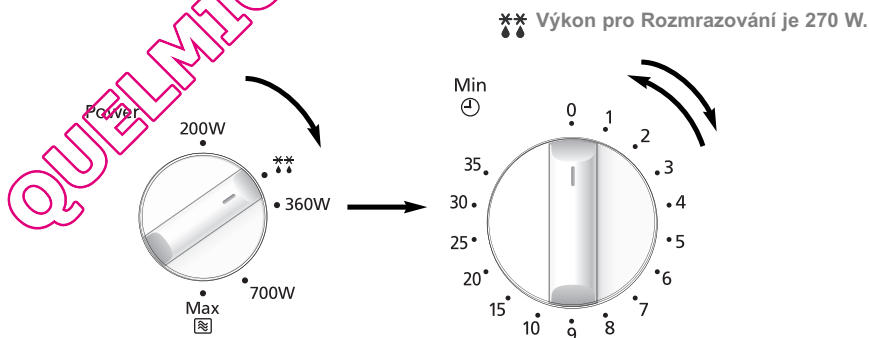
- Otočením ovladače zvolte požadovaný výkon.

- Otočením časovače nastavte dobu vaření. Pokud jsou již dvířka zavřená, vaření začne okamžitě. Při krátkých časech vždy otočte ovladačem až ke 2 minutám a pak se vraťte na požadovanou hodnotu.

Poznámka

1. Chcete-li zkontrolovat pokrm v průběhu vaření, jednoduše otevřete dvířka a trouba se automaticky zastaví. Chcete-li pokračovat ve vaření, zavřete dvířka.
2. Vaření zastavíte otočením časovače do polohy 0 (vypnuto). Nastavení doby vaření je možné kdykoli změnit otočením ovladače.
3. Po vyjmutí pokrmu z trouby zkontrolujte, zda je časovač na hodnotě 0.
4. Při používání trouby musí být skleněný talíř vždy na svém místě.

Režim Rozmrazování



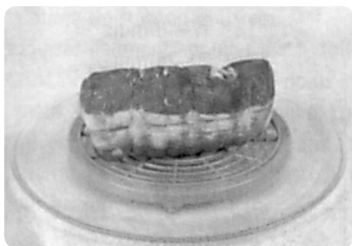
** Výkon pro Rozmrazování je 270 W.

- Otočením ovladače zvolte režim Rozmrazování.

- Otočením časovače nastavte dobu rozmrazování. Pokud jsou již dvířka zavřená, vaření začne okamžitě. Při krátkých časech vždy otočte ovladačem až ke 2 minutám a pak se vraťte na požadovanou hodnotu.

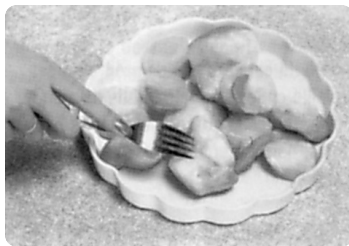
Rady pro rozmrazování

Tipy



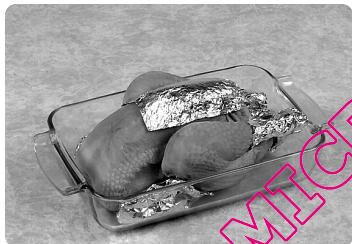
Doba na odstátí

Jednotlivé porce je možné vařit okamžitě po rozmrazení, ale velké porce jsou zpravidla promrzlé ve středu. Před vařením je nechejte minimálně 1 hodinu odstát. Během této doby se teplota rovnoměrně rozdělí po celém objemu pokrmu, a tím se dokončí rozmrazování. **POZNÁMKA:** Pokud pokrm nebudete hned připravovat, umístěte jej do chladničky. Rozmražené pokrmy nikdy znovu nezamrazujte bez předchozí úpravy.



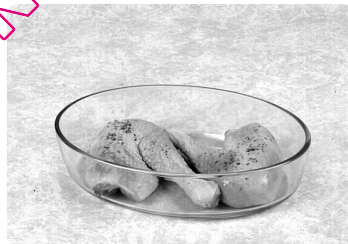
Mleté maso, masové kostky a mořské pokrmy

Protože vnější vrstva se rozmrazuje rychle, je nutné tyto pokrmy při rozmrazování často rozmělnit na kousky a již rozmražené části vyjmout z trouby.



Pečeně a drůbež

Kusy pečeně je vhodné umístit na obrácený talíř nebo plastový stojánek, aby neležely ve šťávě. Tenké nebo vyčnívající části je nutné zakrýt hliníkovou fólií, aby se neuvařily. Malé kouskylobalu je možné v mikrovlnné troubě bez problémů používat, pokud se nedotýkají stěn trouby.



Malé porce

Kotlety a kousky kuřete je nutné od sebe co nejdříve oddělit, aby se rozmrazily stejnoměrně. Tučné části a okraje se rozmrazují rychleji – umístěte je do středu otočného talíře, nebo je zakryjte.

Chléb

Bochníky chleba potřebují odstát, aby se rozmrazily až do středu. Doba stání se zkrátí, pokud oddělíte krajíce, nebo celé bochníky a rohlíky rozkrojíte na polovinu.

Otázky a odpovědi

Proč trouba nejde zapnout?

Když se trouba nezapne, zkontrolujte následující:

1. Je trouba správně zapnutá do zásuvky. Vyjměte zástrčku ze zásuvky, počkejte 10 sekund a zapněte ji zpět.
2. Zkontrolujte jistič a pojistku. Zapněte "vyhozený" jistič, nebo vyměňte spálenou pojistku.
3. Je-li jistič nebo pojistka v pořádku, zkuste k zásuvce připojit jiný elektrický spotřebič. Pokud tento spotřebič funguje, bude pravděpodobně závada na troubě. Pokud tento spotřebič nefunguje, znamená to patrně závadu v zásuvce. Pokud se zdá, že problém je v troubě, kontaktujte autorizované Servisní středisko.

Trouba ruší televizi. Je to normální?

Při vaření v mikrovlnné troubě může dojít k rušení televizního a rádiového vysílání. Je to podobné rušení jako to, které způsobují drobné spotřebiče typu šlehače, vysavače, fénu ap. Tento jev nesignalizuje závadu trouby.

Proč poklesá intenzita osvětlení trouby?

Při vaření s výkonem vyšším než 800 W musí trouba pracovat v cyklech, aby dosáhla i nižších úrovní výkonu. Při takové cyklické činnosti trouby se světlo pravidelně tlumí a ozývá se cvakání.

Z ventilačních otvorů někdy vychází teplý vzduch. Proč?

Teplu vydávané vařeným pokrmem ohřívá vzduch uvnitř trouby. Tento ohřátý vzduch je přirozeným prouděním vzduchu v troubě vynášen ven. Tento vzduch neobsahuje žádné mikrovlny. Ventilační otvory se při vaření nesmí zakrývat.

QUELMICROONDES.COM

Jak o troubu pečovat

1. Před čištěním troubu vypněte.
2. Udržujte vnitřní prostor trouby, těsnění dvířek a těsnící plochy v čistotě. Když na stěnách nebo těsnění zůstanou vystříknuté nebo vylité zbytky pokrmů, otřete je navlhčenou tkaninou. Pokud je znečištění velké můžete použít neagresivní čistící prostředek.
Použití agresivních nebo abrazivních čističů se nedoporučuje.
NEPOUŽÍVEJTE SPECIÁLNÍ ČISTIČE NA TROUBY.
3. Vnější plášť trouby se čistí navlhčenou tkaninou. Aby nedošlo k poškození funkčních součástí uvnitř trouby, nenechte je do ventilačních otvorů vniknout vodu
4. Pokud dojde ke znečištění ovládacího panelu, vyčistíte jej pomocí suché jemné tkaniny. Nepoužívejte agresivní nebo abrazivní čističe. Při čištění ovládacího panelu ponechte dvířka otevřená, aby nedošlo k náhodnému spuštění trouby. Po vyčištění ovládacího panelu stiskněte tlačítko STOP/ZRUŠIT, aby vymazaly údaje na displeji, nebo otočte ovladačem ČASOVAČE zpět na hodnotu 0.
5. Pokud se uvnitř nebo zvenku kolem dvířek trouby hromadí pára, vytřete ji do sucha měkkou tkaninou. K tomuto jevu může dojít, když je trouba v provozu při velké vlhkosti. Neznamená to v žádném případě závadu zařízení.
6. Čas od času je nutné vyjmout skleněný talíř a vyčistit jej. Omyjte jej v teplé mýdlové vodě nebo jej dejte do myčky nádobí.
7. Unášecí kroužek pod skleněným talířem a dno vnitřního prostoru trouby je třeba pravidelně čistit, aby nedocházelo ke zvýšené hlučnosti provozu trouby. Dno jednoduše vyčistíte pomocí neagresivního čistícího prostředku a horké vody a pak do sucha vytřete suchou tkaninou. Unášecí kroužek je možné omýt v mýdlové vodě. Při opakovaném použití se akumulují výpary z pokrmů, ale ty nijak neovlivňují funkci dna trouby ani koleček nosného kroužku. Po té co kroužek vytáhnete z trouby za účelem čištění, dbejte na to, abyste jej nainstalovali zpět do správné pozice.
8. Při čištění nepoužívejte parní čistič.
9. Údržbu této trouby musí zajišťovat pouze kvalifikovaní pracovníci. V případě, že trouba vyžaduje údržbu nebo opravu, obraťte se na autorizovaného prodejce.
10. Nebude-li trouba udržována v čistotě, může dojít k poškození jednotlivých ploch a následnému zkrácení životnosti zařízení, popř. vzniku nebezpečného stavu.
11. Větrací mřížku udržujte v čistotě. Zkontrolujte, zda větrací mřížky v horní a dolní části a ani v zadní části nejsou znečištěné nebo ucpané. Ucpané větrací mřížky mohou vyvolat přehřátí trouby, což se negativně projeví na její funkci. Pokud se větrací otvory ucpanou, mohlo by dojít k přehřátí, což by mohlo ovlivnit provoz mikrovlnné trouby a případně vést ke vzniku nebezpečné situace.
12. Na čištění skla dveří trouby nepoužívejte tvrdé abrazivní čističe ani ostré kovové škrabky, mohou poškrábat povrch, což může mít za následek rozbití skla.

Technické parametry

Zdroj:	230 V ~ 50 Hz
Příkon:	Mikrovlny: 1250 W
Výkon:	Mikrovlny: 800 W (IEC-60705)
Vnější rozměry:	443 (Š) x 340 (H) x 258 (V) mm
Vnitřní rozměry trouby:	306 (Š) x 308 (H) x 215 (V) mm
Hmotnost (nezabalená):	10.5 kg
Hlučnost:	46dB

Výrobce si vyhrazuje právo měnit parametry bez předchozího upozornění.

Tento výrobek je zařízením, které splňuje požadavky evropské normy EN 55011 na elektromagnetickou kompatibilitu (EMC). Podle této normy je tento výrobek zařízením skupiny 2, tř. B a pohybuje se v rozsahu požadovaných mezí. Skupina 2 znamená, že se radiofrekvenční energie záměrně vytváří ve formě elektromagnetického záření za účelem ohřevu pokrmů. Třída B znamená, že se tento výrobek může používat v běžných domácnostech.



Informace o likvidaci, které se týkají uživatelů odpadního elektrického a elektronického zařízení (domácnosti)

Tento symbol vyznačený na výrobcích a/nebo v průvodní dokumentaci značí, že se použité elektrické a elektronické výrobky nemají míchat s běžným odpadem z domácností.

Za účelem provedení správné úpravy, obnovy a recyklace dopravte tyto výrobky do určených sběrů, kde budou přijaty zdarma. Popř. v některých zemích můžete vrátit výrobky místnímu maloobchodníkovi při nákupu nového ekvivalentního výrobku.

Správná likvidace tohoto výrobku pomůže ušetřit cenné zdroje a zabrání případným negativním účinkům na lidské zdraví a prostředí, které by jinak mohly vzniknout v důsledku neodpovídajícího nakládání s odpadem. Další podrobnosti o nejbližší sběrně Vám sdělí Váš místní (městský) úřad. V souladu s národní legislativou se mohou v souvislosti s nesprávnou likvidací tohoto odpadu vymáhat pokuty.

Informace pro podnikatelské subjekty v Evropské unii

Jestliže chcete likvidovat elektrické nebo elektronické zařízení, obraťte se na svého prodejce nebo dodavatele, kteří Vám poskytnou další informace.

Informace týkající se likvidace v zemích mimo Evropskou unii

Tento symbol platí pouze pro Evropskou unii.

Jestliže chcete provést likvidaci tohoto výrobku, obraťte se na místní úřad nebo prodejce a vyžádejte si informace týkající se správného způsobu likvidace.

V souladu se směrnicí EMC 2004/108/ES, článek 9(2):-

Zkušební středisko Panasonic

Panasonic Service Europe, divize společnosti Panasonic Marketing Europe GmbH
Winsbergring 15, 22525 Hamburg, Německá spolková republika.

Vyrobeno pro společnost Panasonic společností GMMEAM

No. 6 Yong An RD, Beijiao, Shunde, Foshan, Guangdong, Čínská lidová republika.

QUELMICROONDES.COM

Inštalácia a pripojenie

Kontrola mikrovlnnej rúry

Rúru rozbaľte, odstráňte všetok baliaci materiál a skontrolujte, či nie je poškodená, napr. či na nej nie sú ryhy, nie je pokazené zatváranie alebo nie sú prasknuté dverka. Ak objavíte akékoľvek poškodenie, okamžite to oznámte predajcovi rúry. Poškodenú mikrovlnnú rúru neinštalujte.

OCHRANA PRED NEBEZPEČNÝM NAPÄTÍM
DÔLEŽITÉ: TÁTO JEDNOTKA MUSÍ BYŤ Z DÔVODU BEZPEČNOSTI OSÔB NÁLEŽITE CHRÁNENÁ PODĽA PLATNEJ TECHNICKEJ NORMY.

Ak zásuvka so striedavým prúdom, do ktorej sa má zapojiť rúra, nie je uzemnená, je na osobnej zodpovednosti zákazníka, aby bola nahradená zásuvkou podľa platnej normy.

Prevádzkové napätie

Napätie musí byť také isté, ako je uvedené na štítku rúry. Ak by sa použilo napájanie s napätím, ktoré je vyššie než uvedené, môže dôjsť k požiaru alebo iným škodám.

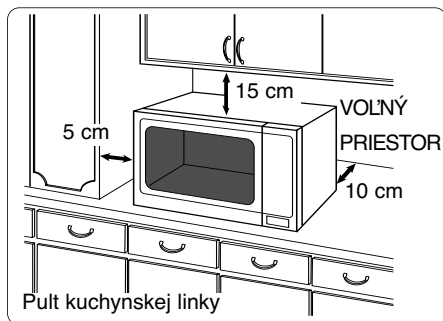
Umiestnenie rúry

Táto rúra je určená len na používanie v domácnosti na pracovnej doske kuchynskej linky. Nie je určená na zabudovanie ani používanie vo vnútri skrinky.

1. Rúru položte na rovný a stabilný povrch vo výške aspoň 85 cm nad podlahou.
2. Pri inštalovaní rúry by sa malo zabezpečiť, aby ju bolo možné odpojiť od elektriny vytiahnutím zástrčky alebo prostredníctvom elektrického ističa.
3. Kvôli správnejmu fungovaniu zabezpečte pre rúru dostatočnú cirkuláciu vzduchu.

Umiestnenie na pulte kuchynskej linky:

- a. Rúru umiestnite tak, aby medzi ňou a linkou bol zvrchu priestor 15 cm, zozadu 10 cm, z jednej strany 5 cm a z druhej strany najmenej 40 cm.
- b. Ak sa jedna strana rúry umiestni zarovno so stenou, druhá strana alebo vrch nesmú byť blokované.



4. Neumiestňujte rúru v blízkosti elektrického alebo plynového variča.
5. Nožičky by sa nemali odnímať.
6. Táto rúra je určená iba na používanie v domácnosti. Nepoužívajte ju vonku.
7. Vyhnite sa používaniu mikrovlnnej rúry pri vysokej vlhkosti.
8. Napájacia šnúra by sa nemala dotýkať vonkajška rúry. Šnúra sa nesmie dotýkať horúcich častí. Nenechávajte šnúru previsnutú cez okraj stola alebo pracovného pultu. Šnúru, zástrčku alebo rúru neponárajte do vody.
9. Neblokujte vetracie otvory na vrchu a na zadnej časti rúry. Ak sú tieto otvory počas prevádzky zablokované, rúra sa môže prehriať. Pre takéto prípady je rúra chránená tepelným bezpečnostným istením a svoju prevádzku obnovuje až po ochladení.
10. Toto zariadenie nie je určené na ovládanie pomocou externého časovača ani samostatného systému diaľkového ovládania.

Inštalácia a pripojenie

VAROVANIE

Dôležité bezpečnostné pokyny

1. Tesnenia dvierok a tesniace plochy dvierok by sa mali čistiť vlhkou handričkou. Tesnenie dvierok a tesniace plochy dvierok zariadenia by sa mali skontrolovať, či nie sú poškodené. Ak sú poškodené, zariadenie by sa nemalo prevádzkovať, pokiaľ ho neopraví servisný technik vyškolený výrobcom.
2. Nepúšťajte sa do žiadnych úprav alebo opráv dvierok, krytu ovládacieho panela, bezpečnostných ochranných spínačov alebo akejkoľvek inej časti rúry. Neodnímajte vonkajší plášť rúry, ktorý chráni pred mikrovlnným žiarením. Opravy by mal vykonávať iba kvalifikovaný servisný pracovník.
3. Neprevádzkujte toto zariadenie, ak má poškodenú ŠNÚRU ALEBO ZÁSTRČKU, ak nefunguje správne alebo ak došlo k jeho poškodeniu alebo spadlo. Vykonávanie opráv je pre akúkoľvek inú osobu než servisných technikov vyškolených výrobcom nebezpečné.
4. Kvôli zabráneniu nebezpečenstvu v prípade poškodenia sa šnúra musí vymeniť od výrobcu alebo servisného zástupcu, resp. podobne kvalifikovanej osoby.
5. Používanie rúry deťom bez dozoru dovoľte iba vtedy, ak dostali zodpovedajúce pokyny, aby boli schopné používať rúru bezpečným spôsobom a chápali riziká vyplývajúce z nesprávneho použitia.
6. Tekutiny a potraviny sa nesmú zohrievať v uzatvorených nádobách, pretože tieto môžu tlak roztrhnúť.
7. Toto zariadenie nie je určené na používanie osobami (vrátane detí) so zníženými fyzickými, zmyslovými alebo mentálnymi schopnosťami alebo s nedostatkom skúseností a znalostí bez dozoru alebo bez predchádzajúceho vysvetlenia používania zariadenia osobou, ktorá je zodpovedná za ich bezpečnosť. Dbajte na to, aby sa deti nehrali so zariadením.

Bezpečnostné pokyny

Používanie rúry

1. Rúru nepoužívajte na žiadne iné účely, ako je príprava jedla. Táto rúra je špeciálne zostrojená na zohrievanie alebo prípravu jedla. Nepoužívajte rúru na zohrievanie chemických látok a iných nepotravinových výrobkov.
2. Pred používaním skontrolujte, či sú riady/nádoby vhodné na používanie v mikrovlnných rúrach.
3. Nepokúšajte sa používať mikrovlnnú rúru na sušenie novín, šatstva alebo iných materiálov. Môžu sa zapáliť.
4. Ak sa rúra nepoužíva, neskladujte v nej kvôli náhodnému zapnutiu iné predmety, ako je príslušenstvo rúry.
5. Zariadenie sa nesmie prevádzkovať **BEZ JEDLA V RÚRE**. Prevádzkovanie týmto spôsobom môže zariadenie poškodiť.
6. Ak sa v rúre objaví dym alebo oheň, stlačte tlačidlo **ZASTAVIŤ/ZRUŠIŤ** alebo otočte **VOLBU ČASOVÉHO SPÍNAČA/VÝBERU HMOTNOSTI** späť na nulu a nechajte dvierka zatvorené. Odpojte šnúru alebo vypnite elektrinu na paneli s poistkou alebo elektrickým ističom.

Svetlo v rúre

V prípade, že je potrebné vymeniť svetlo v rúre, spojte sa so svojím predajcom.

Príslušenstvo

Rúra je vybavená rôznorodým príslušenstvom. Vždy sa riadte danými pokynmi na používanie príslušenstva.

Sklený tanier

1. Nepoužívajte rúru, ak otočný krúžok a sklený tanier nie sú na svojom mieste.
2. Nikdy nepoužívajte iný druh otočného taniera, ako je ten, ktorý je vyrobený špeciálne pre túto rúru.
3. Ak je otočný tanier horúci, nechajte ho pred čistením alebo ponorením do vody vychladnúť.
4. Otočný tanier sa môže otáčať oboma smermi.
5. Ak sa potraviny alebo nádoba na varenie na otočnom tanieri dotýkajú stien rúry a zabráňujú otáčaniu taniera, tanier sa začne automaticky otáčať opačným smerom. Tento postup je úplne v poriadku.
6. Nepripravujte jedlo priamo na otočnom tanieri.

Otočný krúžok

1. Otočný krúžok a dno rúry pravidelne čistite. Zabráňte tým hluku a hromadeniu zvyškov potravy.
2. Otočný krúžok sa na varenie musí vždy používať spolu so skleným tanierom.

Dôležité informácie

1. Čas potrebný na prípravu potravín

Doba potrebná na prípravu potravín závisí od podmienok, teploty, množstva jedla a typu používaných nádob na varenie.

Kvôli zabráneniu prehriatiu začnite s minimálnou dobou. Ak jedlo nie je dostatočne uvarené, vždy ho môžete nechať ešte trochu povariť.

Nezabudnite: Ak sa odporúčaný čas potrebný na prípravu potravín prekročí, jedlo sa znehodnotí, pričom v krajnom prípade môže začať horieť a prípadne poškodiť vnútrajšok rúry.

2. Malé množstvá jedla

Malé množstvá jedla alebo potravín s nízkym obsahom vody môžu pri dlhom varení prihorieť, vysušiť sa alebo začať horieť. Ak dôjde ku vznieteniu vo vnútri rúry, dvierka nechajte zatvorené, rúru vypnite a vytiahnite zástrčku zo zásuvky.

3. Vajcia

Mikrovlňným ohrevom nepripravujte vajcia v škrupine resp. vajcia na tvrdo. Mohli by prasknúť.

4. Prepichnutie povrchu

Potraviny, ktoré nemajú pórovitý povrch, ako sú zemiaky, žltka vajec a párky, sa pred varením v MIKROVLNKE kvôli zabráneniu výbuchu musia prepichnúť.

5. Mäsový teplomer

Mäsový teplomer na kontrolu stupňa prípravy pečeného mäsa alebo hydiny používajte iba po vybratí mäsa z rúry. V mikrovlnnej rúre nepoužívajte bežný mäsový teplomer, pretože tento môže spôsobiť iskrenie.

6. Tekutiny

Pri zohrievaní tekutín, napr. polievky, omáčok a nápojov, v mikrovlnnej rúre môže pri prehriatí tekutiny nad bod varu dochádzať k varu bez bublania.

Toto môže mať za následok náhle vykypenie horúcej tekutiny. Uvedenému zabránite dodržiavaním nasledovných krokov:

- Vyhňte sa používaniu nádob s rovnými stenami a úzkymi hrdlami.
- Potraviny neprehrievajte.
- Pred vložením nádoby do rúry tekutinu pomiešajte. Pomiešanie zopakujte v polovici času varenia.
- Po zohriatí ju ešte krátko nechajte v rúre a pred odobratím z nádoby ju opäť starostlivo premiešajte.

7. Papier/plasty

Pri zohrievaní potravín v plastových alebo papierových nádobách rúru často kontrolujte, pretože tieto typy nádob sa pri prehriatí zapalujú.

Nepoužívajte výrobky z recyklovaného papiera (napr. papierové kuchynské utierky), ak papierový výrobok nie je označený ako vhodný pre používanie v mikrovlnnej rúre.

Výrobky z recyklovaného papiera môžu obsahovať nečistoty, ktoré počas ich používania môžu spôsobiť iskrenie, resp. vznietenie.

Pred umiestnením do rúry odstráňte z vreciek na pečenie drôtené časti.

8. Radyfólia

Nezohrievajte žiadne zatvorené konzervy alebo fľaše, pretože ich môže nadmerný tlak roztrhnúť.

Kovové nádoby alebo misy s povrchovou úpravou obsahujúcou kovy by sa na varenie v mikrovlnnej rúre nemali používať. Môže dochádzať k iskreniu.

Ak používate hliníkovú fóliu, ihlice do mäsa alebo kovové nástroje, vzdialenosť medzi nimi a stenami rúry a dvierkami by mala byť prínajmenšom 2 cm, aby ste zabránili iskreniu.

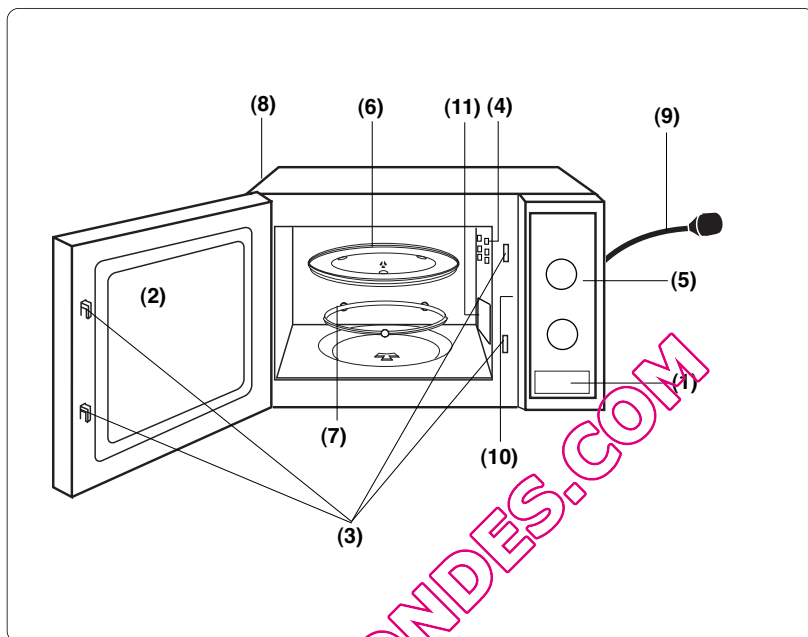
9. Dojčenské fľaše

Vrchnák a cumel na dojčenských fľašiach je pred vložením do rúry nutné zložiť.

Obsah dojčenských fliaš treba pomiešať alebo pretriasť.

Kvôli zabráneniu popáleniu je pred konzumáciou nevyhnutné skontrolovať teplotu.

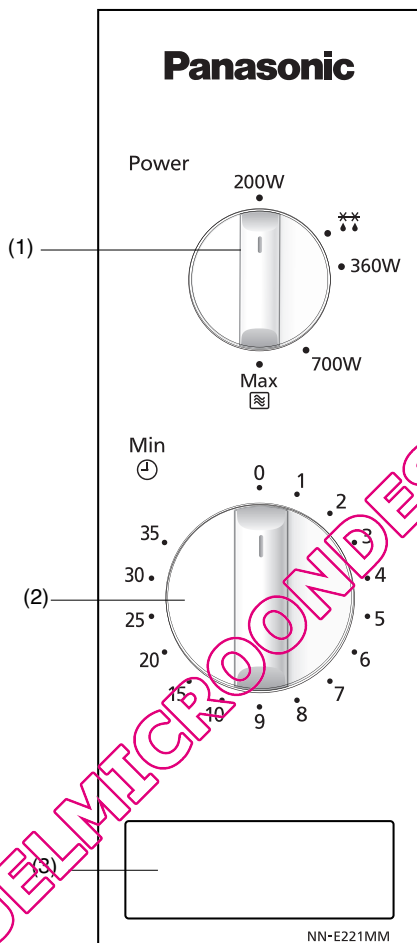
Stručný opis častí rúry



- (1) **Tlačidlo na otváranie dvierok**
Jeho stlačením otvoríte dvierka. Ak dvierka otvoríte počas prípravy, varenie sa pozastaví bez zrušenia predtým nastavených zadaní. Varenie pokračuje po zatvorení dvierok.
- (2) **Okienko rúry**
- (3) **Bezpečnostné blokovanie dvierok**
- (4) **Vetracie otvory rúry**
- (5) **Ovládací panel**
- (6) **Otočný tanier**
- (7) **Otočný kružok**
- (8) **Vonkajšie vetracie otvory rúry**
- (9) **Napájaci kábel**
- (10) **Identifikačný štítek**
- (11) **Výstup mikrovln (neodstraňujte)**

Ovládacie panely

NN-E201WM / NN-E221MM *



- (1) Ovládač výkonu mikrovlnného ohrevu a rozmrazovania mikrovlnky
- (2) Časový spínač
- (3) Tlačidlo na otváranie dvierok

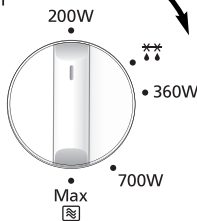
*Nezabudnite: Vzhľad ovládacieho panela sa môže od zázorneného panela líšiť (v závislosti od farby), avšak funkcie tlačidiel sú také isté.

Varenie s mikrovlnnou rúrou

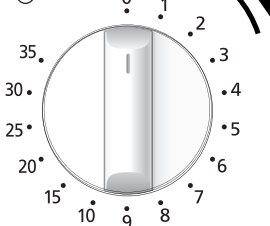
Výkon

Maximum	800 Wattov
Stredný výkon	700 Wattov
Malý výkon	360 Wattov
Rozmrazovanie	270 Wattov
Zohrievanie	200 Wattov

Power



Min



- Otočením ovládača sa nastavuje úroveň výkonu.
- Otočením ovládača nastavíte čas varenia. Ak sú už dverka zatvorené, čas varenia začne ubiehať okamžite. V prípade krátkych časov varenia voľbu nastavte vždy najskôr na 2 minúty a potom ju upravte na požadovaný čas.

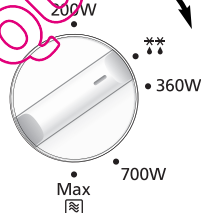
Nezabudnite:

1. Ak chcete jedlo počas varenia skontrolovať, stačí otvoriť dverka. Rúra automaticky prestane pracovať. Vo varení bude pokračovať po zatvorení dvierok.
2. Varenie zastavíte otočením časového spínača do nulovej polohy. Čas varenia možno meniť kedykoľvek počas cyklu varenia otočením časového spínača.
3. Keď sa jedlo po dokončení prípravy z rúry vyberie, skontrolujte, či je časový spínač v nulovej polohe.
4. Pri používaní rúry musí byť otočný tanier vždy na svojom mieste.

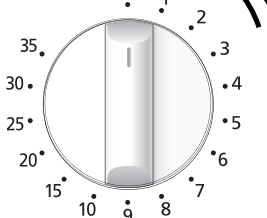
Rozmrazovanie

** Rozmrazovací výkon je 270 Wattov.

Power



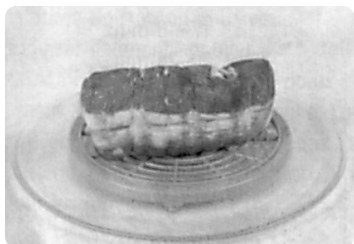
Min



- Otočením ovládača vyberte rozmrazovací výkon.
- Otočením ovládača vyberte čas rozmrazovania. Ak sú už dverka zatvorené, čas rozmrazovania začne ubiehať okamžite. V prípade krátkych časov varenia voľbu nastavte vždy najskôr na 2 minúty a potom ju upravte na požadovaný čas.

Pokyny pre rozmrazovanie

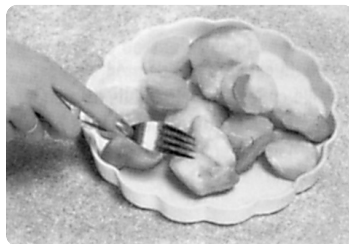
Tipy na rozmrazovanie



Doba odstátia

Jednotlivé porcie jedla sa môžu pripravovať takmer okamžite po rozmrazení. V prípade veľkých porcií jedla je bežné, že v strede zostávajú zamrznuté dlhšie. Pred varením ich nechajte minimálne na jednu hodinu odstáť. Počas odstátia sa teplota rovnomerne rozšíri a potraviny sa rozmrazia prostredníctvom výmeny tepla. Nezabudnite: Ak sa jedlo nebude pripravovať okamžite, uschovajte ho do chladničky.

Nikdy rozmrazené jedlo opätovne nezmrazujte bez jeho predchádzajúcej tepelnej úpravy.



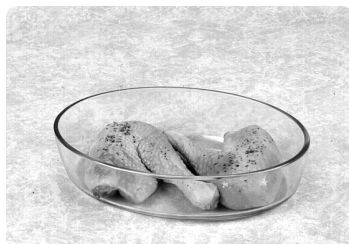
Nasekané mäso alebo morské kôrovce a mäkkýše

Keďže vonkajšia časť týchto potravín sa rýchlo rozmrazuje, počas rozmrazovania je často nevyhnutné ich oddeliť, rozlúpať na časti alebo kúsky a po rozmrazení vyberať.



Stehná hydiny

Odporúča sa, aby sa stehná umiestnili na prevrátený tanier alebo plastový stojan, aby neboli ponorené v šnave. Krehké alebo vyčnievajúce časti takýchto potravín je nevyhnutné chrániť malými kúskami fólie, aby sa zabránilo ich neželanej tepelnej úprave. Používanie malých kúskov fólie v rúre nie je nebezpečné, pokiaľ neprichádzajú do styku so stenami rúry.



Malé Časti

Nasekané kúsky potravín a kuracieho mäsa a musia oddeliť čo najskôr, aby mohli úplne odmrznúť. Tukové časti a konce sa rozmrazujú rýchlejšie. Umiestnite ich do stredu otočného taniera alebo zabezpečte ich ochranu.

Chlieb

Bochníky chleba si vyžadujú odstátie, aby mohli rozmrznúť až do stredu. Odstátie možno skrátiť, ak sa kúsky oddelia a rohlíky alebo bochníky prekrája na polovicu.

Otázky a odpovede

Otázka: Prečo sa rúra nezapína?

Odpoveď: Ak sa rúra nezapína, skontrolujte nasledovné:

1. Je rúra bezpečne zapojená? Vytiahnite zástrčku zo zásuvky a po 10 sekundách ju znova zasuňte.
2. Skontrolujte elektrický istič alebo poistku. Ak je elektrický istič vyradený, zapnite ho. Ak je prerušená poistka, vymeňte ju.
3. Ak je elektrický istič alebo poistka v poriadku, zapojte do zásuvky iné zariadenie. Ak iné zariadenie funguje, problém bude pravdepodobne v rúre. Ak iné zariadenie nefunguje, chyba je asi v zásuvke. Ak sa zdá, že v poriadku nie je rúra, spojte sa s autorizovaným servisným strediskom.

Otázka: Mikrovlnka ruší televízny prijímač. Je to v poriadku?

Odpoveď: Pri varení v mikrovlnke sa môže vyskytovať rušenie rádiového alebo televízneho prijímača. Toto rušenie je podobné rušeniu spôsobovanému malými zariadeniami, ako sú napr. mixery vysávače, sušiče vlasov a pod. Neznačena to, že s rúrou nie je nič v poriadku.

Otázka: Prečo rúra svieti slabo?

Odpoveď: Pri varení s výkonom iným ako 800 W (maximálny výkon) musí rúra prepínať, aby mohla dosiahnuť nižšie úrovne výkonu. Preto sa svetlo rúry zoslabuje a pri prepínaní rúry možno počuť klikanie.

Otázka: Niekedy z vetracích otvorov vychádza horúci vzduch. Prečo?

Odpoveď: Teplo vydávané vareným jedlom zohrieva vzduch vo vnútrajšku rúry. Tento teplý vzduch vychádza z rúry prostredníctvom systému vetrania. V ovzduší nie je prítomné žiadne mikrovlnné žiarenie. Počas prípravy by vetracie otvory nemali byť nikdy zablokované.

QUELMICROOVENS.COM

Starostlivosť o rúru

1. Rúru pred čistením vypnite.
2. Vnútrojšok rúry, tesnenia dvierok a tesniace plochy dvierok udržiajte v čistote. Ak sa na steny rúry prilepili zvyšky jedla alebo rozliatych tekutín, vyutierajte tesnenia dvierok a tesniace plochy dvierok vlhkou handrou. Ak sú znečistené značne, je možné použiť neagresívny saponát. Použitie silného saponátu alebo prášku sa neodporúča.
NEPOUŽÍVAJTE ČISTIACE PROSTRIEDKY URČENÉ PRE BEŽNÉ RÚRY NA PEČENIE
3. Vonkajší povrch rúry by sa mal čistiť vlhkou handričkou. Aby ste zabránili poškodeniu prevádzkových súčastí vo vnútri rúry, do vetracích otvorov by sa nemala dostať žiadna voda.
4. Ak sa ovládací panel znečistí, očistíte ho čistou, mäkkou a suchou handričkou. Na čistenie panela nepoužívajte žiadne agresívne saponáty ani prášky. Pri čistení ovládacieho panela nechajte otvorené dvierka, aby ste zabránili náhodnému zapnutiu rúry. Po očistení tlačidlá ZASTAVIŤ/ZRUŠIŤ zhasnite okno displeja alebo uveďte VOĽBU ČASOVÉHO SPÍNAČA/ VÝBERU HMOTNOSTI do polohy NULA.
5. Ak sa okolo vonkajška dvierok rúry zraža para, utrite ju mäkkou látkou. K tomuto môže dochádzať vtedy, keď sa mikrovlnná rúra prevádzkuje za vysokej vlhkosti a v žiadnom prípade neznamena, že jednotka nepracuje správne.
6. Občas treba otočný tanier z rúry vytiahnuť a očistiť ho. Umyte tanier v teplej mydlovej vode alebo v umývačke riadu.
7. Otočný krúžok a dno rúry pravidelne čistite. Zabráňte tým nadmernému huku rúry. Stačí utrieť dno rúry handričkou namočenou v teplom roztoku jemného čistiaceho prostriedku a potom utrieť dosucha čistou handričkou. Otočný krúžok je možné umývať v slabom mydlovom roztoku. Opakovaným používaním rúry sa hromadia výpary z varenia, ale v žiadnom prípade neovplyvňujú dno rúry ani kolieska otočného krúžku. Po vybratí otočného krúžku z vnútorného priestoru rúry ho po vyčistení nezabudnite vrátiť na správne miesto.
8. Na čistenie sa nemá používať parný čistič.
9. Servis tejto rúry by mali vykonávať iba kvalifikovaní pracovníci. Ohľadom údržby a opravy rúry sa spojte s najbližším autorizovaným predajcom.
10. Neudržiavanie rúry v čistom stave by mohlo viesť k zníženiu povrchu, čo by mohlo ovplyvniť životnosť spotrebiča a prípadne mať za následok rizikovú situáciu.
11. Všetky vetracie otvory vždy udržiajte v čistote. Skontrolujte, či prach alebo iný materiál neblokujú vetracie otvory na vrchu, spodu alebo zadnej časti rúry. Ak sa vetracie otvory zablokujú, uvedené by mohlo spôsobiť prehriatie, ktoré by ovplyvnilo fungovanie rúry. Zablokovanie niektorého vetracieho otvoru by mohlo spôsobiť prehriatie, čo by mohlo nepriaznivo ovplyvniť činnosť zariadenia a vyústiť do nebezpečnej situácie.
12. Na čistenie skla dvierok rúry nepoužívajte drsné abrazívne čistiace prostriedky ani ostré kovové škrabky, pretože by mohli poškriabať povrch, čo by mohlo mať za následok rozbitie skla.

Technické údaje

Príkon:	230 V ~ 50 Hz	
Príkon:	Mikrovlnné žiarenie;	1250 W
Výkon	Mikrovlnné žiarenie;	800 W (IEC-60705)
Vonkajšie rozmery:		443 (Š) x 340 (H) x 258 (V) mm
Rozmery vnútrajška rúry:		306 (Š) x 308 (H) x 215 (V) mm
Hmotnosť bez obalu:		10.5 kg
Hlučnosť:		46dB

Technické údaje podliehajú zmene bez ohľadovania.

Tento výrobok je zariadenie, ktoré spĺňa európsku normu pre rušenia EMC (EMC = elektromagnetická kompatibilita) EN 55011. Podľa tejto normy patrí tento výrobok do skupiny 2, triedy B a je v rámci požadovaných limitov. Skupina 2 znamená, že rádiová frekvencia energia sa zamerane generuje vo forme elektromagnetického žiarenia na účely zohrievania alebo varenia potravín. Trieda B znamená, že tento výrobok sa môže používať v bežných domácnostiach.



Informácie o likvidácii odpadu z elektrických a elektronických zariadení (domácnosti)

Tento symbol na výrobkoch a/alebo sprievodnej dokumentácii znamená, že elektrické a elektronické výrobky by sa nemali likvidovať spolu s bežným domovým odpadom.

V záujme správneho spracovania, obnovenia a recyklácie zanechte tieto výrobky na určené zberné miesta, kde budú bezplatne prijaté.

V niektorých krajinách je tiež možné vrátiť staré výrobky miestnemu predajcovi pri zakúpení ekvivalentného nového výrobku.

Správna likvidácia tohto výrobku pomôže šetriť cenné zdroje a predchádzať možným negatívnym účinkom na ľudské zdravie a životné prostredie, čo môže naopak nastať pri nevhodnom zaobchádzaní s odpadom. Podrobnosti o najbližšom určenom zbernom mieste získate od miestnych úradov. Pri nesprávnej likvidácii tohto odpadu sa vystavujete riziku postihu v súlade s miestnymi právnymi predpismi.

Pre podnikateľov v Európskej únii

Ak chcete zlikvidovať elektrické alebo elektronické zariadenie, informácie získate od predajcu alebo dodávateľa.

Informácie o likvidácii výrobkov v krajinách mimo Európskej únie

Tento symbol platí len pre používateľov z krajín Európskej únie.

Ak chcete zlikvidovať tento výrobok, obráťte sa na miestne úrady alebo predajcu a informujte sa o správnom spôsobe likvidácie.

Podľa smernice 2004/108/ES o elektromagnetickej kompatibilite, článok 9 ods. 2: -
Panasonic Testing Centre
Panasonic Service Europe, divízia spoločnosti Panasonic Marketing Europe GmbH
Winsberggring 15, 22525 Hamburg, Nemecko.
Pre spoločnosť Panasonic Corporation vyrába spoločnosť GMMEAM
No. 6 Yong An RD, Beijiao, Shunde, Foshan, Guangdong, Čína.

QUELMICROONDES.COM

Telepítés és csatlakoztatás

A mikrohullámú sütő ellenőrzése

Csomagolja ki a sütőt, távolítsa el a csomagolást, és ellenőrizze, hogy nem láthatók-e sérülések a sütőn, pl. horpadások, törött ajtóretek vagy repedések az ajtón. Ha bármilyen sérülést észlel, azonnal értesítse a kereskedőt. Ne helyezzen működésbe sérült mikrohullámú sütőt.

Földelési utasítások

FONTOS: A SZEMÉLYI BIZTONSÁG ÉRDEKÉBEN EZT AZ EGYSÉGET MEGFELELŐEN FÖLDELNI KELL.

Ha a hálózati konnektor nincs földelve, a vásárló személyes felelőssége, hogy megfelelően földelt hálózati aljzatra cseréltesse azt.

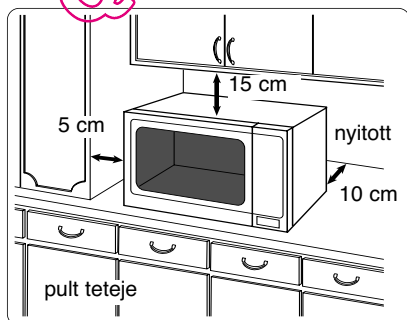
Üzemi feszültség

A feszültségnek kell felelnie a sütőn található címkén feltüntetett értéknek. Ha a megadottnál magasabb feszültséget használ, az tűzhöz vagy egyéb károkhoz vezethet.

A sütő elhelyezése

Ez a sütő csak háztartási célokra, pulton történő használatra alkalmas. Nem szekrénybe történő beépítésre készült.

1. Sík és stabil felületen helyezze el a sütőt, több, mint 85 cm magasságban a padló felett.
2. A sütőt úgy kell elhelyezni, hogy a készülék könnyen lekapcsolható legyen az elektromos hálózatról a csatlakozódugó kihúzásával, vagy egy megszakító segítségével.



3. A megfelelő működés érdekében biztosítson elégséges légáramlást.

Használat pulton:

- a. Biztosítson legalább 15 cm szabad helyet a sütő felett, 10 cm-t mögötte, 5 cm-t egyik oldalon, és a másik oldalt hagyja szabadon, legalább 40 cm-t biztosítva.
 - b. Ha a sütő egyik oldala közvetlenül a fal mellett helyezkedik el, a másik oldalt vagy a sütő tetejét nem szabad elzárni.
4. Ne helyezze a sütőt elektromos vagy gáztűzhely közelébe.
 5. A lábakat nem szabad eltávolítani.
 6. Ez a sütő csak háztartási célokra használható. Ne használja szabadterén.
 7. Ne használja a mikrohullámú sütőt párás környezetben.
 8. A tápkábelnek nem szabad hozzáérnie a sütő külső burkolatához. Tartsa távol a kábelt forró felületektől. Ne hagyja a vezeték az asztal vagy a pult széléről lelogni. Ne merítse a vezeték, a csatlakozót vagy a sütőt vízbe.
 9. Ne takarja el a sütő tetején és hátoldalán található szellőzőnyílásokat. Ha ezek a nyílások működés közben elzáródnak, a sütő túlmelegedhet. Ebben az esetben a sütőt biztonsági hőkapcsoló védi, és a készülék csak a lehűlés után kapcsol be újra.
 10. A készülék nem arra készült, hogy külső időzítővel, vagy különálló távirányító rendszerrel működtessék.

Telepítés és csatlakoztatás

FIGYELMEZTETÉS!

Fontos biztonsági utasítások

1. Az ajtó szigeteléseit és az ajtószigetelés környezetét nedves ruhával tisztítsa.
A készüléken ellenőrizni kell az ajtó szigetelésének és környezetének épségét, és ha ezek a területek megsérültek, a készüléket nem szabad addig használni, amíg egy a gyártó által képzett szakember ki nem javította.
2. Ne próbálkozzon az ajtó, a vezérlőpanel burkolatának, a biztonsági reteszelő kapcsoló, vagy a sütő más részeinek javításával vagy módosításával. Ne távolítsa el a külső panelt a sütőről, mivel az védelmet biztosít a mikrohullámú energia ellen.
A javításokat csak szakképzett szerelővel szabad végezteni.
3. Ne működtesse a készüléket, ha a VEZETÉK VAGY A CSATLAKOZÓ megsérült, ha a készülék nem működik megfelelően, vagy ha megsérült, illetve leejtették. A gyártó által képzett szakembereken kívül más személyek számára a javítás elvégzése veszélyes.
4. Ha megsérült a hálózati kábel, akkor a veszélyek elkerülése érdekében a gyártónak vagy a gyártó hivatalos szervizének, vagy egy hasonlóan képzett személynek kell azt kicserélnie.
5. Gyermek számára csak akkor engedélyezze a sütő önálló használatát, ha azok megfelelő utasításokat kaptak, és a gyermek képes a sütő biztonságos használatára, valamint tisztában van a helytelen használat kockázataival.
6. Folyadékok és egyéb ételek nem melegíthetők zárt edényekben, mivel azok felrobbanhatnak.
7. Ezt a készüléket csökkent fizikai, érzékszervi, vagy szellemi képességű személyek (beleértve a gyermekeket), illetve tapasztalattal és hozzáértéssel nem rendelkező személyek nem használhatják, kivéve, ha a biztonságukért felelős személy felügyelete és irányítása alatt használják a készüléket. Felügyelje a gyermekeket, hogy ne játszhassanak a készülékkel.

QUELMICROOONLINE.COM

Biztonsági utasítások

A sütő használata

1. Ne használja a sütőt semmilyen más célra, csak étel készítésére. Ezt a sütőt speciálisan étel melegítésére és sütésére tervezték. Ne használja a sütőt vegyi anyagok, vagy egyéb, nem ételek közé tartozó termékek melegítésére.
2. Használatuk előtt ellenőrizze, hogy az eszközök/edények alkalmasak-e mikrohullámú sütőben történő használatra.
3. Ne használja ezt a mikrohullámú sütőt újságpapír, ruhák, vagy más anyagok szárítására. Meggyulladhatnak.
4. Amikor a sütő használaton kívül van, ne tároljon benne semmit, a tartozékokat kivéve, mivel a sütőt akár véletlenül is bekapcsolhatja.
5. A készülék nem üzemeltethető, ha **NINCS ÉTEL A SÜTŐBEN**. Az ilyen működtetés károsíthatja a készüléket.
6. Ha füst vagy tűz keletkezik a sütőben, fordítsa vissza az **IDŐZÍTŐ TÁRCSÁT** nulla helyzetbe és hagyja zárva az ajtót. Húzza ki a tápkábelt, vagy kapcsolja ki az áramot a biztosítéknál, vagy a megszakító panelnél.

Sütő világítás

Amikor szükségessé válik a sütő világításának cseréje, forduljon a kereskedőhöz.

Tartozékok

A sütő különböző tartozékokkal kerül kiszállításra. Mindig tartsa be a tartozékok használatára vonatkozó utasításokat.

Üvegtálca

1. Ne használja a sütőt, ha a görgőgyűrű és a forgótányér nincs a helyén.
2. Soha ne használjon más típusú üvegtálcát, mint azt, amely kifejezetten a sütőhöz lett tervezve.
3. Ha az üvegtálca felforrósodott, hagyja lehűlni, mielőtt megtisztítaná, vagy vízbe merítené.
4. Az üvegtálca mindkét irányban foroghat.
5. Ha az üvegtálcán elhelyezett étel vagy a főzőedény megérinti a sütő oldalfalát és megállítja a tálca forgását, a tálca automatikusan a másik irányba kezd forogni. Ez normális jelenség.
6. Ne süssön ételeket közvetlenül az üvegtálcán.

Görgőgyűrű

1. A görgőgyűrűt és a sütő alját rendszeresen tisztítani kell a zajos működés és az ételmaradékok lerakódásának megelőzése érdekében.
2. A görgőgyűrűt mindig az üvegtálcával együtt kell használni a sütés során.

QUELMICRONLINE.COM

Fontos információk

1. Sütési idők

A sütési idő az étel állapotától, hőmérsékletétől, mennyiségétől és az edény típusától függ.

A minimális sütési idővel kezdje, hogy megelőzze a túlsütést. Ha az étel nem főtt meg kellőképpen, mindig főzheti egy kicsit tovább.

MEGJEGYZÉS: Ha túllépi a megadott sütési időket, az étel tönkremehet, és rendkívüli esetekben akár meg is gyulladhat, ami a sütő belsejének károsodásához vezethet.

2. Kis mennyiségű étel

A kis mennyiségű vagy alacsony nedveségtartalmú ételek odaéghetnek, kiszáradhatnak vagy meggyulladhatnak, ha túl sokáig süti őket. Ha a sütő belsejében meggyulladna valami, tartsa csukva a sütő ajtaját, kapcsolja ki a sütőt és húzza ki a csatlakozódugót a hálózati aljzatból.

3. Tojás

Ne főzzön tojást héjában, és ne főzzön egészben kemény tojást MIKROHULLÁMÚ üzemmódban. Nyomás képződhet, és a tojások felrobbanhatnak, még a mikrohullámú melegítés végét követően is.

4. A felület átszúrása

A nem porózus felületű ételek, például a burgonya, tojássárgája vagy virsli esetén át kell szúrni a felületüket a MIKROHULLÁMÚ sütés előtt, hogy elkerülje felrobbanásukat.

5. Hűshőmérő

Csak akkor használjon hűshőmérőt a sülték és szárnyasok sütési fokának ellenőrzésére, ha a húst már kivette a sütőből. Ne használjon hagyományos hűshőmérőt a mikrohullámú sütőben, mivel az szikrázást okozhat.

6. Folyadékok

Folyadékok, pl. leves, szószok, vagy italok melegítése során a mikrohullámú sütőben a folyadékok felmelegedhetnek a forráspontra, anélkül, hogy ezt buborékképződés jeleznék. Ez a forró folyadék hirtelen kifutásához vezethet.

Ennek megakadályozására a következő lépéseket kell tenni:

- Kerülje az egyenes falú, szűk nyakú edények használatát.
- Ne melegítse túl.
- Keverje meg a folyadékot, mielőtt az edényt a sütőbe helyezné, majd keverje meg ismét a melegítési idő felénél.
- Melegítés után hagyja az edényt rövid ideig állni a sütőben, majd keverje meg ismét, mielőtt óvatosan kivenné a sütőből.

7. Papír/műanyag

Ha műanyag- vagy papíredényben levő ételt melegít, gyakran előfordul, hogy a sütőt, mivel ezek a csomagolások túlhevülés esetén meggyulladhatnak.

Ne használjon újrahasznosított papírból készült termékeket (pl. konyhai papírtörülőtekerceset), csak ha a papírtérmenen fel van tüntetve, hogy biztonságosan használható mikrohullámú sütőben. Az újrahasznosított papírtérmenek tartalmazhatnak olyan szennyeződések, amelyek használat közben szikrákat és/vagy tüzet okozhatnak. Távolítsa el a sütőzacskókról a záróhuzalokat, mielőtt a sütőbe helyezné a zacskókat.

8. Csomagolás/fólia

Ne melegítsen zárt konzervdobozokat vagy üvegeket, mert felrobbanhatnak. Fém edényeket és fém szegélyt tartalmazó tárgyokat nem szabad mikrohullámú üzemmódban használni. Ez ugyanis szikrázáshoz vezet.

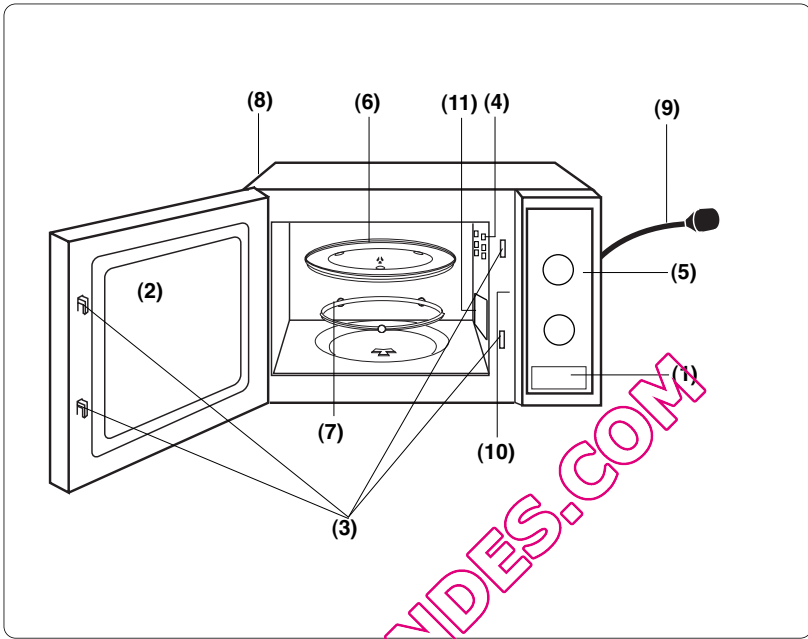
Ha alufóliát, hústűket vagy más fém eszközt használ, a szikrázás megelőzése érdekében a távolságnak ezek és a sütő falai, illetve az ajtaja között legalább 2 cm-nek kell lennie.

9. Cumisüvegek / bébiétel üvegek

A cumisüvegek és bébiétel üvegek tetejét és a cumit vagy a fedelet le kell szedni, mielőtt a sütőbe rakná.

A cumisüvegek és bébiételes üvegek tartalmát fel kell rázni, vagy meg kell keverni. A fogyasztás előtt ellenőrizni kell a hőmérsékletet az égési sérülések elkerülése érdekében.

Áttekintő ábra



(1) Ajtónyitó gomb

Nyomja meg az ajtó kinyitásához. Ha sütés közben nyitja ki az ajtót, a sütés a korábbi beállítások törlése nélkül átmenetileg leáll. A sütés folytatódik, amikor az ajtót becsukja.

(2) Sütőablak

(3) Az ajtó biztonsági zárrendszere

(4) A sütő szellőzőnyílása

(5) Vezérlőpanel

(6) Üvegtálca

(7) Görgőgyűrű

(8) Külső szellőzőnyílások

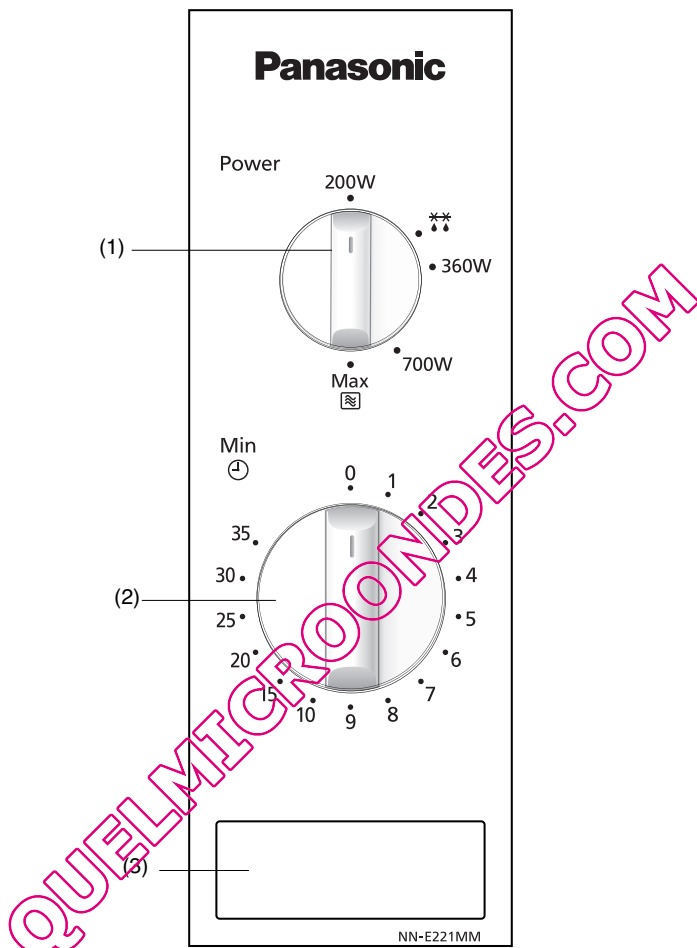
(9) Tápkábel

(10) Azonosító címkét (a sütő hátsó része)

(11) Mikrohullám beléptetési pont (Ne távolítsa el)

Vezérlőpanelek

NN-E201WM / NN-E221MM *

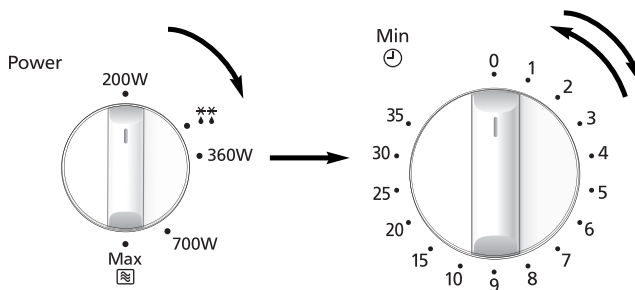


- (1) Mikrohullámú teljesítmény/Kiolvasztás kiválasztó tárcsa
- (2) Időzítő
- (3) Ajtónyitó gomb

***MEGJEGYZÉS:** A vezérlőpanel kialakítása eltérő lehet az ábrázolt paneltől (szintől függően), de a működés azonos.

Mikrohullámú sütés

	Watt
Max	800 watt
Közepes	700 watt
Alacsony	360 watt
Kiolvasztás	270 watt
Melegítés	200 watt



- Forgassa el a tárcsát a teljesítményszint kiválasztásához.

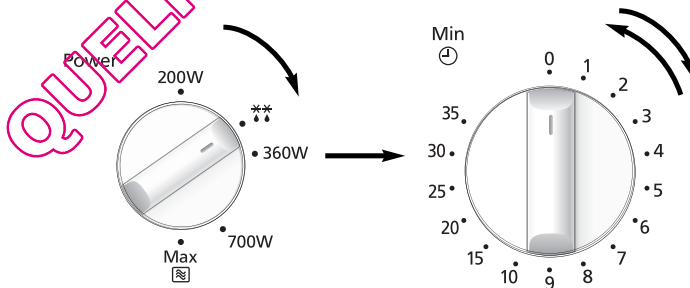
- Állítsa be a sütési időt a tárcsa elfordításával. Ha az ajtó már zárva van, a sütési idő azonnal elkezdődik. Rövid sütési idők esetén mindig fordítsa a tárcsát 2 percre, és azután állítsa be a szükséges időre.

Megjegyzések

1. Ha a sütés alatt ellenőrizni kívánja az ételt, egyszerűen nyissa ki az ajtót. A sütő automatikusan megállítja a sütést. A sütés folytatásához csukja be az ajtót.
2. A sütés megállításához fordítsa az időzítő tárcsát a nulla helyzetbe. A sütési idő a sütési ciklus során bármikor visszaállítható az időzítő tárcsa elfordításával.
3. Amikor a sütés befejeződése után az ételt kiveszi a sütőből, ellenőrizze, hogy az időzítő a nulla helyzetben van-e.
4. A sütő használatakor a forgó üvegtálcának mindig helyén kell lennie.

Kiolvasztás

** A kiolvasztási teljesítmény 270 Watt.

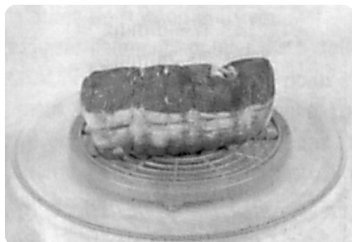


- Állítsa be a kiolvasztási teljesítményt a tárcsa elfordításával.

- Állítsa be a kiolvasztási időt a forgatható gomb elfordításával. Ha az ajtó már zárva van, a sütési idő azonnal elkezdődik. Rövid sütési idők esetén mindig fordítsa a forgatható gombot 2 percre, és azután állítsa be a szükséges időre.

Kiolvasztási útmutató

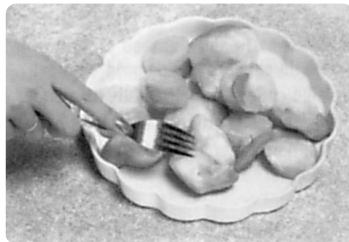
Tippek a kiolvasztáshoz



Állási idők

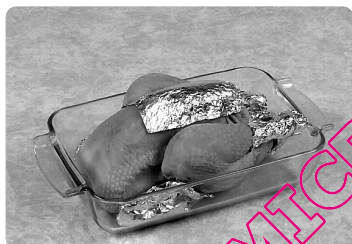
Külön ételadagokat csaknem közvetlenül kiolvasztás után is meg lehet sütni. A nagyobb ételadagoknál természetes, hogy középen még fagyottak. Sütés előtt hagyja **legalább 1 óráig** állni. Ez alatt a hőmérséklet eloszlása egyenletessé válik és az étel hőátadásal kiolvad.

MEGJEGYZÉS: Ha az ételt nem főzi meg azonnal, tárolja hűtőben. Soha ne fagyasszon újra ételt anélkül, hogy előbb ne főzné meg.



Darált vagy kockázott hús és tenger gyümölcsei

Mivel ezeknek az ételeknek a külseje hamar kiolvad, szét kell választani azokat, kiolvasztás közben gyakran kell darabokra törni a tömböket, és el kell távolítani, amint kiolvadtak.



Nagy húsdarabok és szárnyasok

Nagy húsdarabokat legjobb egy felfordított tányérra, vagy műanyag állványra helyezni, hogy ne álljanak a levükben. Néhány kisméretű fóliadarabbal meg kell védeni az ilyen étel kényes, vagy kiálló részeit a süléstől. Nem veszélyes kisméretű fóliadarabokat használni a sütőben, feltéve, **ha nem érintkeznek a sütő falával.**



Kis adag ételek

A hússzeleteket és csirke darabokat a lehető leghamarabb szét kell választani, hogy végig egyenletesen olvadjanak ki.

A zsíros részek és a végek hamarabb olvadnak ki. Tegye ezeket a forgótányér közepére, vagy védje meg.

Kenyér

A kenyérnek állási időre van szüksége, hogy a közepe kiolvadjon. Az állási idő lerövidíthető, ha a szeleteket elválasztja, a tekercecseket és cipókat pedig félbevágja.

Kérdések és válaszok

K: Miért nem kapcsol be a sütőm?

V: Ha a sütő nem kapcsol be, ellenőrizze az alábbiakat:

1. Megfelelően van bedugva a sütő? Húzza ki a csatlakozódugót a hálózati csatlakozóaljzatból, várjon 10 másodpercet, majd dugja be újra.
2. Ellenőrizze a megszakítót és a biztosítékot. Állítsa vissza a megszakítót, vagy cserélje ki a biztosítékot, ha bekapcsolt, vagy kiégett.
3. Ha a megszakító vagy a biztosíték rendben van, dugjon be egy másik készüléket a hálózati aljzatba. Ha a másik készülék működik, a probléma valószínűleg a sütővel van. Ha a másik készülék nem működik, valószínűleg a dugaszolóaljzattal van probléma. Ha úgy tűnik, hogy a sütővel van probléma, lépjen kapcsolatba a hivatalos szervizközponttal.

K: A mikrohullámú sütő interferenciát okoz a TV készülékemmel. Normális ez?

A: Bizonyos fokú rádió és TV interferencia előfordulhat, amikor a mikrohullámú sütővel főz. Ez az interferencia hasonló a kis berendezések, például mixerek, porszívók, hajszárítók stb. okozta interferenciához. Nem jelenti azt, hogy bármilyen probléma lenne a sütővel.

K: Miért halványul el a sütő világítása?

A: Amikor 800 W értéktől (MAX teljesítmény) eltérő értékkel süt, az alacsonyabb teljesítményszintek eléréséhez a sütőt ki, majd újra be kell kapcsolni. A sütő világítása elhalványul, és kattogó zajok hallhatók, amikor a sütő ki- és bekapcsol.

K: Időnként meleg levegő jön a sütő szellőzőnyílásaiból. Miért?

V: A melegített étel által leadott hő felmelegíti a levegőt a sütő belsejében. Ez a meleg levegő a szellőzés következtében távozik a sütőből. A levegőben nincsenek mikrohullámok. A sütő szellőzőnyílásait sosem szabad eltakarni sütés közben.

QUELMICRO.COM

A sütő karbantartása

1. Tisztítás előtt kapcsolja ki a sütőt.
2. Tartsa tisztán a sütő belsejét, az ajtó szigetelését, és az ajtó szigetelésének környezetét. Ha a sütő falára, az ajtó szigetelésére és az ajtó szigetelés körülöttei területekre étel vagy folyadék kerül, törölje le nedves ruhával. Ha nagyon piszkos, használjon enyhe mosószert. Erős mosószert vagy súrolószert használata nem ajánlott. **NE HASZNÁLJON KERESKEDELMI SÜTŐTISZTÍTÓ VEGYSZEREKET.**
3. A sütő külső felületeit nedves ruhával kell tisztítani. A sütő belsejében lévő alkatrészek sérülésének elkerülése érdekében a víznek nem szabad a szellőzőnyílásokon keresztül bejutnia.
4. Ha a vezérlőpanel elszennyeződik, tisztítsa meg egy puha, száraz ruhával. Ne használjon erős mosószert vagy súrolószert a vezérlőpanelen. A vezérlőpanel tisztítása során hagyja nyitva a sütő ajtaját, hogy megelőzze a sütő véletlen bekapcsolását. Tisztítás után fordítsa vissza az **IDŐZÍTŐ TÁRCSÁT** a **NULLA** helyzetbe.
5. Ha pára gyülemlik fel belül vagy a sütő ajtajának a külseje körül, törölje le egy puha ruhával. Ez akkor fordulhat elő, ha a mikrohullámú sütőt magas páratartalom mellett működteti, és nem jelenti a készülék meghibásodását.
6. Időnként szükséges az üvegtálcá eltávolítása tisztítás céljából. Mossa el a tálcát meleg szappanos vízben vagy mosogatógépben.
7. A görgőgyűrűt és a sütő belsejének az alját rendszeresen tisztítani kell a túlzott zaj elkerülése érdekében. Egyszerűen törölje tisztára a sütő alsó felszínét enyhe mosószerral és meleg vízzel, majd törölje szárazra egy tiszta ruhával. A görgőgyűrű enyhén szappanos vízben elmosható. Az ismételt használat során felgyülemlenek a főzés gőzei, de ez nem befolyásolja az alsó felület vagy a görgőgyűrű kerekeit. Miután tisztítás céljából eltávolította a görgőgyűrűt az alsó felületről, ügyeljen arra, hogy a megfelelő helyzetben tegye vissza.
8. A sütőt csak szakképzett szerelőnek szabad javítania. A sütő karbantartásával és javításával kapcsolatban forduljon a legközelebbi felhatalmazott kereskedőhöz.
9. Gőztisztítót nem szabad használni a tisztításhoz.
10. A sütő tisztán tartásának elhanyagolása a felületek károsodásához vezethet, ami befolyásolhatja a készülék élettartamát, valamint esetleg veszélyes helyzetet idézhet elő.
11. Mindig tartsa tisztán a szellőzőnyílásokat. Ellenőrizze, hogy por, vagy más anyagok nem zárják-e el a sütő tetején, alján vagy hátoldalán található szellőzőnyílásokat. Ha a szellőzőnyílások elzáródnak, az túlmelegedést okozhat, ami károsítja a sütő működését, és esetleg veszélyes helyzetet eredményezhet.
12. Ne használjon súroló hatású tisztítószereket vagy éles fémtárgyakat az üvegajtó tisztításához, mert megkarcolhatják a felületet, ez pedig üvegtöréshez vezethet.

Műszaki adatok

Tápellátás:	230 V ~ 50 Hz
Teljesítményfelvétel:	Mikrohullám; 1250 W
Teljesítményleadás:	Mikrohullám; 800 W (IEC-60705)
Külső méretek:	443 (Sz) x 340 (Mé) x 258 (M) mm
Sütő belső méretei:	306 (Sz) x 308 (Mé) x 215 (M) mm
Csomagolás nélküli tömeg:	10,5 kg
Zajsztint:	46 dB

A műszaki jellemzők előzetes bejelentés nélkül megváltozhatnak.

Ez a termék olyan berendezés, amely megfelel az elektromágneses kompatibilitási zavarokra (EMC) vonatkozó EN 55011 európai szabványnak. E szabvány alapján ez a berendezés a 2. csoport B osztályába tartozik, és a szükséges határértékeken belül van. A 2. csoport azt jelenti, hogy szándékosan keletkezik rádiófrekvenciás energia elektromágneses sugárzás formájában az étel felmelegítése vagy sütése céljából. A B osztály azt jelenti, hogy a termék a normál háztartási területeken használható.



Ártalmatlanítási információ elektromos és elektronikus eszközök felhasználói számára (magán háztartások)

Ez a szimbólum a terméken és/vagy a kísérő dokumentumokon azt jelenti, hogy a használt elektromos és elektronikus termékeket nem szabad az általános háztartási hulladékkal keverni.

A megfelelő kezelés, visszanyerés és újrahasznosítás érdekében, kérjük, vigye ezeket a termékeket a kijelölt gyűjtőhelyekre, ahol ingyenes alapon átveszik azokat.

Alternatívaként, néhány országban, egy egyenértékű új termék megvásárlása

esetén vissza lehet vinni a terméket a helyi kereskedőnek.

Ennek a terméknek a megfelelő ártalmatlanítása segít megővni értékes erőforrásainkat és megakadályozni bármilyen esetleges negatív hatást az emberi egészségre és a környezetre, amely egyébként a nem megfelelő hulladékkezelésből származhat. Kérjük, lépjen kapcsolatba a helyi hatóságokkal a legközelebbi kijelölt gyűjtőpont további részleteit illetően.

A nemzeti jogszabályok szerinti büntetés róható ki az ilyen hulladék nem megfelelő ártalmatlanítása miatt.

Az Európai Unió üzleti felhasználói számára

Ha elektromos vagy elektronikus berendezést szeretne leselejtezni, kérjük, további információért lépjen kapcsolatba a kereskedővel, illetve szállítóval.

Ártalmatlanítással kapcsolatos információk az Európai Unión kívüli országok esetében

Ez a szimbólum csak az Európai Unióban érvényes.

Ha le szeretné selejtezni ezt a terméket, kérjük, lépjen kapcsolatba a helyi hatóságokkal vagy a kereskedővel és érdeklődjön az ártalmatlanítás megfelelő módjáról.

Az elektromágneses kompatibilitásra vonatkozó 2004/108/EK irányelv 9 (2) bekezdése értelmében:-

Panasonic Testing Center

Panasonic Service Europe, a Panasonic Marketing Europe GmbH részlege

Winsbergring 15, 22525 Hamburg, Német Szövetségi Köztársaság.

A Panasonic Corporation részére a GMMEAM által gyártva

No. 6 Yong An RD, Beijiao, Shunde, Foshan, Guangdong, Kínai Népköztársaság.

QUELMICROONDES.COM

Instalare și conectare

Examinați-vă cuptorul cu microunde

Despachetați cuptorul, îndepărtați în întregime ambalajul, și examinați cuptorul pentru orice defecțiuni precum urme de lovituri, defecțiuni ale dispozitivelor de blocare a ușii sau fisuri ale ușii. Dacă descoperiți vreo defecțiune, înștiințați-vă imediat furnizorul. Nu instalați un cuptor cu microunde defect.

Instrucțiuni de împământare

IMPORTANT: ACEST ELEMENT TREBUIE SĂ FIE ÎMPĂMÂNTAT CORESPUNZĂTOR PENTRU SIGURANȚA PERSONALĂ.

Dacă priza dumneavoastră de curent alternativ nu are împământare, este responsabilitatea clientului de a o înlocui cu o priză cu împământare corespunzătoare.

Tensiune de alimentare

Tensiunea trebuie să fie aceeași cu cea specificată pe eticheta de pe cuptor. Dacă este utilizată o tensiune mai mare decât cea specificată, aceasta poate cauza incendiu sau alte defecțiuni.

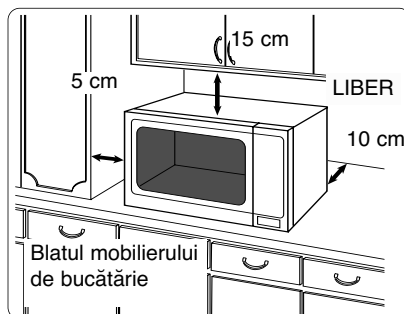
Amplasarea cuptorului

Acest cuptor este proiectat numai pentru uz casnic, cu poziționare pe blatul mobilierului de bucătărie. Produsul nu este proiectat pentru utilizarea încastrată sau integrarea sa în mobilier.

1. Amplasați cuptorul pe o suprafață plană și stabilă, la peste 85 cm deasupra solului.
2. La instalarea cuptorului, izolarea aparatului de la alimentarea electrică trebuie să se facă cu ușurință prin deconectarea ștecherului de la priză sau cu ajutorul unui întreupător.
3. Pentru operarea corespunzătoare, asigurați suficient spațiu pentru circulația aerului în jurul cuptorului.

Utilizare pe blatul mobilierului de bucătărie:

- a. Alocați un spațiu de 15 cm deasupra cuptorului, 10 cm în spate, 5 cm în lateral pe fiecare parte, iar cealaltă parte trebuie să poată fi deschisă peste 40 cm.
- b. Dacă una din părțile laterale ale cuptorului este amplasată lipit de perete, cealaltă parte sau partea superioară trebuie să nu fie blocată.



4. Nu amplasați acest cuptor în apropierea unei mașini de gătit electrice sau cu gaz.
5. Suportii de susținere ai cuptorului nu trebuie îndepărtați.
6. Acest cuptor este doar pentru uz casnic. Nu îl utilizați în aer liber.
7. Evitați utilizarea cuptorului cu microunde în condiții de umiditate excesivă.
8. Cablul de alimentare nu trebuie să atingă partea exterioară a cuptorului. Cablul trebuie ținut departe de suprafețele fierbinți. Nu lăsați cablul să atârne peste marginea mesei sau a suprafeței de lucru. Nu introduceți cablul, ștecherul sau cuptorul în apă.
9. Nu blocați orificiile de aerisire de deasupra și din spatele cuptorului. Dacă aceste orificii sunt blocate în timpul operării, cuptorul se poate supraîncălzi. În acest caz, cuptorul este protejat de un dispozitiv termic de siguranță, iar funcționarea va fi reluată numai după răcirea acestuia.
10. Acest aparat nu este proiectat pentru a fi operat prin intermediul unui temporizator extern sau al unui sistem telecomandat.

Instalare și conectare

AVERTIZARE

Instrucțiuni importante de siguranță

1. Dispozitivele și spațiile de etanșare ale ușii trebuie curățate cu o cârpă umedă. Acest aparat trebuie inspectat referitor la defecțiuni ale garniturilor ușii și la zonele de etanșare ale acesteia, iar dacă aceste zone sunt defecte, aparatul nu trebuie să fie utilizat până când nu a fost reparat de un tehnician de service instruit de către furnizor.
2. Nu încercați să efectuați modificări, să reglați sau să reparați ușa, carcasa panoului de comandă, întrerupătoarele de blocare de siguranță, sau orice altă componentă a cuptorului. Nu îndepărtați panoul exterior al cuptorului ce oferă protecție împotriva expunerii la energia microunde. Reparațiile trebuie efectuate doar de o persoană calificată pentru service.
3. Nu operați acest aparat dacă are defecțiuni la CABLU SAU ʘȘTECHER, dacă nu funcționează corespunzător sau dacă a fost defectat sau a căzut jos. Serviciile de reparație efectuate de oricine în afară de un tehnician de service instruit de către furnizor sunt periculoase.
4. În cazul în care cablul de alimentare al aparatului este defect, acesta trebuie înlocuit cu un cablu special procurat de la furnizor, pentru evitarea unor situații periculoase.
5. Permiteți copiilor folosirea cuptorului fără supraveghere numai atunci când au fost date instrucțiuni adecvate astfel încât copilul să poată utiliza cuptorul în siguranță și să înțeleagă primejdiile utilizării incorecte.
6. Lichidele și ale alimente nu trebuie încălzite în recipiente închise, întrucât pot să explodeze.
7. Acest aparat nu este proiectat pentru utilizare de către persoanele (inclusiv copii) cu capacități senzoriale sau mentale reduse, sau ce prezintă lipsa de experiență și cunoaștere, decât sub supraveghere sau dacă au primit instrucțiuni referitoare la utilizarea aparatului, de către o persoană responsabilă pentru siguranța lor. Copiii ar trebui supravegheați pentru a asigura că aceștia nu se joacă cu aparatul.

QUELMICRON

Instrucțiuni de siguranță

Modul de utilizare a cuptorului

1. Nu utilizați cuptorul în niciun alt scop decât pentru prepararea alimentelor. Acest cuptor este proiectat special pentru încălzirea sau prepararea alimentelor. Nu utilizați acest cuptor pentru a încălzi produse chimice sau alte produse nealimentare.
2. Înainte de utilizare, verificați dacă vasele/recipientele sunt potrivite pentru a fi utilizate în cuptoare cu microunde.
3. Nu încercați să utilizați cuptorul pentru a usca ziare, haine sau orice alte materiale. Acestea pot lua foc.
4. Atunci când cuptorul nu este utilizat, nu depozitați nici un fel de obiecte, cu excepția accesoriilor, în interiorul cuptorului, pentru eventualitatea în care acesta este pornit în mod accidental.
5. Aparatul nu trebuie operat **FĂRĂ ALIMENTE ÎN INTERIOR**. O astfel de utilizare poate duce la defectarea aparatului.
6. Dacă în cuptor este produs fum sau incendiu, rotiți **SELECTORUL ROTATIV AL TEMPORIZATORULUI** înapoi pe poziția zero și lăsați ușa închisă. Scoateți ștecherul din priză sau întrerupeți alimentarea electrică de la siguranțele fuzibile sau de la întrerupător.

Lampa cuptorului

Atunci când este necesară schimbarea lămpii cuptorului, consultați-vă furnizorul.

Accesorii

Cuptorul vine echipat cu o varietate de accesorii. Întotdeauna urmați instrucțiunile referitoare la utilizarea accesoriilor.

Platoul din sticlă

1. Nu operați cuptorul fără ansamblul cu role și platoul din sticlă aflate în poziția corespunzătoare.
2. Nu utilizați niciodată un alt tip de platou din sticlă decât cel proiectat special pentru acest cuptor.
3. Dacă platoul din sticlă este fierbinte, lăsați-l să se răcească înainte de a-l curăța sau de a-l băga în apă.
4. Platoul din sticlă se poate roti în orice direcție.
5. Dacă alimentele sau vasul de bucătărie aflat pe platoul din sticlă atinge pereții cuptorului și împiedică rotirea platoului, acesta se va roti automat în direcția opusă. Acest lucru este normal.
6. Nu preparați alimentele direct pe platoul din sticlă.

Ansamblul cu role

1. Ansamblul cu role și baza cuptorului trebuie curățate frecvent pentru a evita zgomotul în timpul funcționării și acumularea resturilor de mâncare.
2. Pentru a găti, ansamblul cu role trebuie utilizat întotdeauna împreună cu platoul din sticlă.

Informații importante

1. Timpul de gătire

Timpul de gătire depinde de starea, temperatura, cantitatea de alimente și de tipul de vase de bucătărie utilizate.

Începeți cu timpul minim de gătire pentru a evita gătitul excesiv. Dacă mâncarea nu este gata, puteți continua să o gătiți încă ceva timp.

N.B: Dacă se depășește timpul de gătire recomandat, mâncarea va fi compromisă și, în cazuri extreme, aceasta ar putea lua foc și ar putea eventual deteriora interiorul cuptorului.

2. Cantități reduse de alimente

Cantități reduse de mâncare sau alimente cu umiditate redusă se pot arde, se pot usca sau pot lua foc dacă sunt gătit un timp prea îndelungat. Dacă materialele aflate în interiorul cuptorului iau foc, țineți închisă ușa cuptorului, opriți cuptorul și scoateți ștecherul din priză.

3. Ouă

Nu preparați ouă în coajă și ouă tari fierte întregi la MICROWAVE (MICROUNDE). Se poate acumula presiune, iar ouăle pot exploda, chiar și după terminarea operațiunii de încălzire la microunde.

4. Înteparea alimentelor cu coajă

Alimentele care au coajă fără porii, cum ar fi cartofii, gălbenușurile de ou și cârnații, trebuie întepate înainte de prepararea acestora la MICROWAVE, pentru a preveni explozia acestora.

5. Termometru pentru carne

Utilizați un termometru pentru carne în vederea verificării gradului de rumenire a fripturilor sau cârnii de pasăre numai atunci când carnea a fost scoasă din cuptor. Nu utilizați un termometru convențional pentru carne atunci când folosiți modul MICROWAVE (MICROUNDE) sau COMBINATION (COMBINAT), deoarece aceasta poate provoca scânteii.

6. Lichide

La încălzirea lichidelor, de exemplu supă, sosuri și băuturi, în cuptorul dumneavoastră cu microunde, încălzirea excesivă a lichidului peste temperatura de fierbere poate avea loc și fără formarea de bule. Acest lucru poate avea ca urmare faptul că lichidul dă pe dinafară.

Pentru a evita acest lucru, trebuie urmați următorii pași:

- Evitați utilizarea recipientelor cu părțile laterale drepte și cu gât îngust.
- Nu încălziți excesiv alimentele.
- Amestecați lichidul înainte de a plasa recipientul în cuptor și repetați această operațiune la jumătatea timpului de gătire necesar.
- După încălzire, lăsați recipientul timp de câteva minute în cuptor, amestecați din nou înainte de a-l scoate cu atenție din cuptor.

7. Hârtie/ Plastic

La încălzirea alimentelor în recipiente din plastic sau hârtie, verificați des cuptorul, deoarece aceste tipuri de recipiente pot lua foc dacă sunt încălzite excesiv.

Nu utilizați produse din hârtie reciclată (de exemplu, rola de bucătărie), cu excepția cazului în care produsul din hârtie este etichetat ca putând fi utilizat la cuptor cu microunde. Produsele din hârtie reciclată pot conține impurități care pot provoca scânteii și/sau incendii în timpul utilizării.

Îndepărtați legăturile de sfoară de la pungile pentru fripturi înainte de a pune pungile în cuptor.

8. Vase/Folii

Nu încălziți nici o cutie sau sticlă care este închisă ermetic, deoarece aceasta poate exploda.

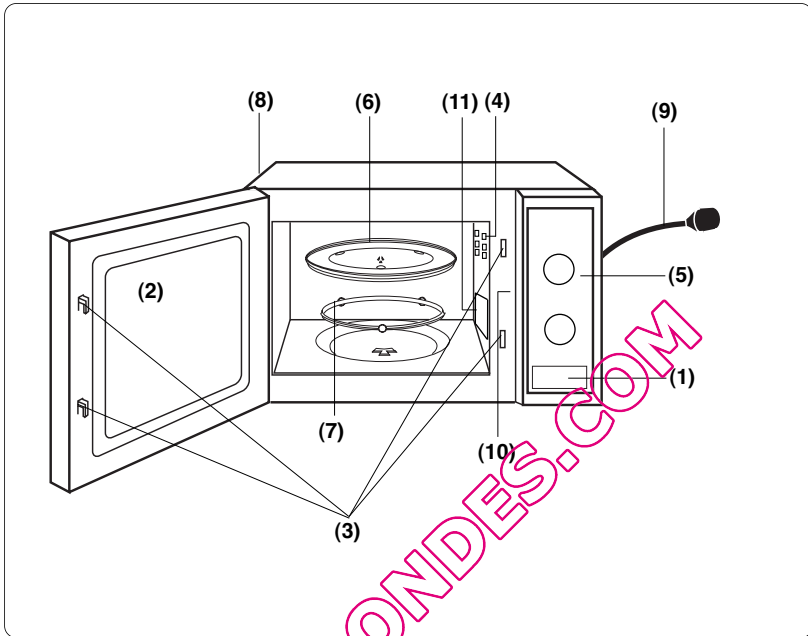
Recipientele din metal sau vasele cu ornamente metalice nu trebuie utilizate în timpul gătirii la microunde. Pot apărea scânteii. Dacă utilizați orice tip de folie de aluminiu, țepușe pentru carne sau orice alt articol din metal, distanța dintre acestea și pereții și ușa cuptorului trebuie să fie de minim 2 cm, pentru a preveni apariția scânteilor.

9. Biberone/Recipiente cu mâncare de copii

Partea superioară și biberonul sau capacul trebuie îndepărtate de pe sticlele pentru copii sau de pe borcanele cu mâncare pentru copii, înainte de a le plasa în cuptor.

Conținutul biberonelor și recipientelor cu mâncare pentru copii trebuie amestecat sau agitat. Temperatura trebuie verificată înainte de consumarea conținutului, pentru a evita arsurile.

Schemă de prezentare



(1) Butonul de deschidere a ușii

Apăsați acest buton pentru a deschide ușa. Atunci când deschideți ușa cuptorului în timpul operațiunii de preparare a alimentelor, această operațiune este întreruptă temporar fără anularea setărilor făcute anterior. Operațiunea de gătire este reluată imediat ce se închide ușa.

(2) Fereastra cuptorului

(3) Sistem blocare de siguranță pentru ușă

(4) Orificiu de aerisire cuptor

(5) Panou de comandă

(6) Platoul din sticlă

(7) Ansamblul cu role

(8) Orificii externe de ventilare cuptor

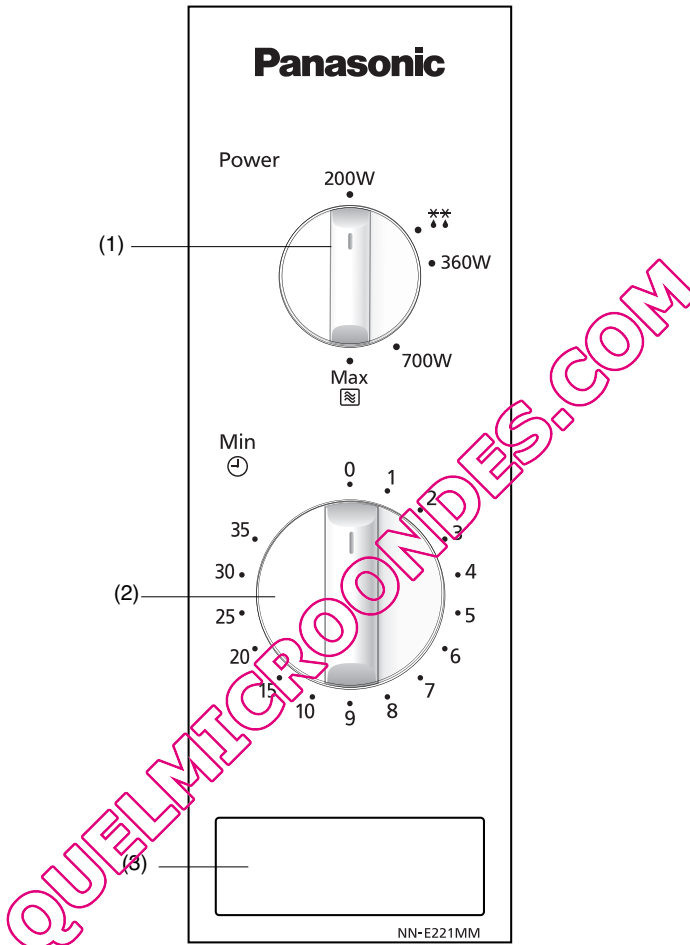
(9) Cablu de alimentare

(10) Eticheta de identificare (pe spatele aparatului)

(11) Capac ghidaj microunde (Nu îndepărtați)

Panouri de comandă

NN-E201WM / NN-E221MM *

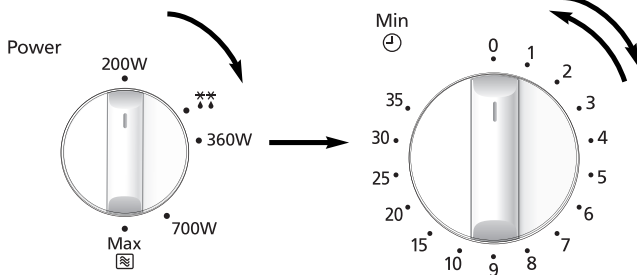


- (1) Selector rotativ putere microunde/decongelare
- (2) Temporizator
- (3) Buton de deschidere a ușii

*N.B. Modelul panoului dumneavoastră de comandă poate diferi față de panoul din ilustrații (în funcție de culoare), dar funcționalitatea va rămâne aceeași.

Gătirea la cuptorul cu microunde

	Tensiune
Max	800 wați
Mediu	700 wați
Scăzut	360 wați
Dezghet	270 wați
Cald	200 wați



• Rotiți selectorul rotativ pentru a selecta nivelul de putere.

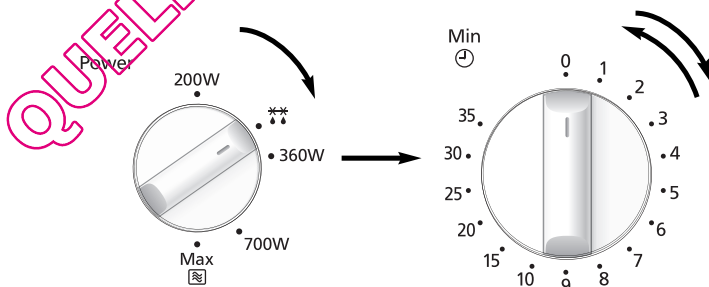
• Setaiți timpul de gătire, rotind selectorul rotativ. Dacă ușa este deja închisă, timpul de gătire va începe imediat. Pentru un timp redus de gătire, rotiți întotdeauna selectorul rotativ la 2 minute, iar apoi reglați până la timpul cerut.

Note

1. Dacă doriți să verificați mâncarea în timpul operațiunii de gătire, deschideți pur și simplu ușa. Cuptorul va înceta automat operațiunea de gătire. Pentru a continua operațiunea de gătire, închideți ușa.
2. Pentru a opri operațiunea de gătire, rotiți selectorul rotativ al temporizatorului la poziția zero. Timpul de gătire poate fi resetat în orice moment în timpul ciclului de gătire, rotind selectorul rotativ al temporizatorului.
3. După scoaterea mâncării din cuptor, verificați dacă temporizatorul este în poziția zero.
4. Platoul din sticlă trebuie să se afle în poziția corespunzătoare în timpul utilizării cuptorului.

Decongelare

** Puterea pentru dezghețare este de 270 Watt.

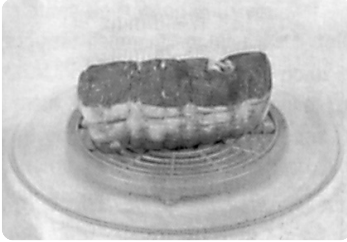


• Selectați puterea pentru decongelare, rotind selectorul rotativ.

• Setaiți timpul pentru decongelare rotind selectorul rotativ. Dacă ușa este deja închisă, timpul de gătire va începe imediat. Pentru un timp redus de gătire, rotiți întotdeauna selectorul rotativ la 2 minute, iar apoi reglați până la timpul cerut.

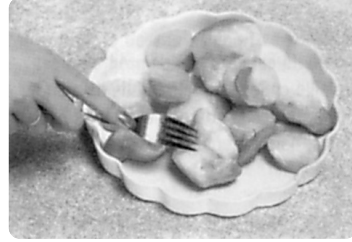
Linii directe pentru decongelare

Sfaturi pentru decongelare



Timp de menținere

Porții individuale de alimente pot fi gătite aproape imediat după decongelare. Este normal ca porțiile mari de alimente să fie înghețate în centru. Înainte de a găti, permiteți un timp de menținere de **minim o oră**. Pe parcursul acestui timp de menținere, temperatura se distribuie uniform, iar alimentele sunt dezghețate prin propagare. **N.B.** Dacă alimentele nu urmează a fi gătite imediat, puneți-le în frigider. Nu recongelați niciodată alimentele fără a le găti în prealabil.



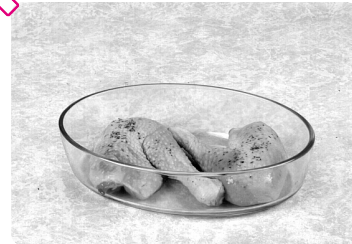
Carne tocată sau cuburi de carne și fructe de mare

INTRUCĂȚ PARTEA EXTERIOARĂ A ACESTOR ALIMENTE SE DEZGHEAȚ RAPID, PE DURATA DECONGELĂRII ESTE FRECVENT NECESARĂ SEPARAREA LOR ȘI DESPĂRȚIREA BLOCURILOR ÎN BUCĂȚI, IAR ODATA CE AU FOST DEZGHEȚATE, ESTE NECESARĂ ÎNDEPĂRTAREA LOR.



Bucăți mari de carne și pui întregi

Este preferabil să poziționați bucățile mari de carne pe o farfurie întoarsă sau pe un grătar din plastic, pentru a nu fi gătite în suc propriu. Este esențial să protejați cu folie de aluminiu părțile delicate ale alimentelor sau cele care ies în afară, pentru a preveni gătirea lor. Folosirea în interiorul cuptorului dumneavoastră a unor bucăți mici de folie de aluminiu nu este periculoasă cât timp **acestea nu intră în contact cu pereții cuptorului**.



Porții reduse de mâncare

Cotletele și bucățile de pui trebuie să fie separate cât de curând posibil, pentru a se dezgheța uniform pretutindeni.

Părțile cu grăsime și capetele se dezgheță mai rapid. Puneți-le aproape de centrul platoului rotitor pentru a le proteja.

Pâine

Franzelele vor necesita un timp de menținere mai îndelungat, pentru a permite dezghețarea centrului. Timpul de menținere poate fi scurtat dacă feliile sunt despărțite și chiflele și franzelele sunt tăiate în jumătate.

Întrebări și răspunsuri

Î: De ce nu pornește cuptorul? **R:** Atunci când cuptorul nu pornește, verificați dacă:

1. Cuptorul este conectat corect la priza de alimentare? Scoateți ștecherul din priză, așteptați 10 secunde și conectați-o din nou la priză.
2. Verificați întrerupătorul și siguranța. Resetați întrerupătorul dacă acesta a declanșat sau înlocuiți siguranța dacă aceasta este arsă.
3. Dacă întrerupătorul sau siguranța sunt în regulă, conectați un alt aparat la priză. Dacă celălalt aparat funcționează, atunci probabil cuptorul are o problemă. Dacă celălalt aparat nu funcționează, atunci probabil priza are o problemă. Dacă aveți impresia că este o problemă la cuptor, contactați un centru de service autorizat.

Î: Cuptorul meu cu microunde provoacă interferențe cu televizorul. Este normal?

R: Atunci când utilizați cuptorul cu microunde pot apărea anumite interferențe radio sau TV. Acest tip de interferențe este similar celui provocat de aparate de dimensiuni reduse, cum ar fi mixere, aspiratoare, uscătoare de păr, etc. Acestea nu indică prezența unei probleme a cuptorului dumneavoastră.

Î: De ce e lumina cuptorului se diminuează?

R: La gătitul cu o putere altă decât 800W (Putere MAX), cuptorul trebuie să parcurgă cicluri pentru a se obține nivele scăzute de putere. Atunci când cuptorul parcurge cicluri, lumina cuptorului se diminuează și pot fi auzite pocnituri.

Î: Uneori iese aer cald din orificiile de ventilație. De ce?

R: Căldura degajată de la alimentele care sunt preparate încălzește aerul din incinta cuptorului. Acest aer încălzit este evacuat din cuptor cu ajutorul ventilatorului aflat în cuptor. Nu există emisii de microunde în aer. Orificiile de ventilație ale cuptorului nu trebuie blocate niciodată în timpul operațiunii de gătit.

QUELMICROONDES.COM

Modul de întreținere a cuptorului

1. Opriți cuptorul înainte de curățare.
2. Păstrați curat interiorul cuptorului, garniturile și zonele de etanșare ale ușii. Atunci când există resturi de mâncare sau urme de lichide pe pereții cuptorului, pe garniturile și zonele de etanșare ale ușii, ștergeți-le cu o cârpă umedă. Dacă acestea se murdăresc foarte tare, puteți să folosiți un detergent cu acțiune blândă. Nu este recomandată folosirea unor detergenți cu acțiune puternică sau materiale abrazive.
NU UTILIZAȚI PRODUSELE DE CURĂȚAT ARAGAZUL DIN COMERȚ.
3. Suprafața exterioară a cuptorului trebuie curățată cu o cârpă umedă. Pentru a evita defectarea componentelor funcționale din interiorul cuptorului, nu permiteți pătrunderea apei în orificiile de ventilație.
4. În cazul în care se murdărește tabloul de comandă, curățați-l cu o cârpă moale și uscată. Nu utilizați detergenți cu acțiune puternică și materiale abrazive pentru curățarea panoului de comandă. Lăsați ușa cuptorului deschisă atunci când curățați panoul de comandă, pentru a evita pornirea accidentală a acestuia. După curățare, rotiți selectorul rotativ al temporizatorului înapoi pe poziția zero.
5. Dacă se acumulează aburi în interior sau în exterior în jurul ușii cuptorului, ștergeți suprafețele aburite cu o cârpă moale. Acest lucru poate apărea atunci când cuptorul cu microunde este utilizat în condiții de umiditate excesivă și acest lucru nu indică în niciun fel defectarea aparatului.
6. Periodic, este necesară scoaterea platoului din sticlă pentru a fi curățat. Spălați platoul cu apă caldă și săpun sau în mașina de spălat vase.
7. Ansamblul cu role și suprafața de bază a incintei cuptorului trebuie curățate periodic pentru a evita zgomotul excesiv în timpul funcționării. Curățați partea inferioară a cuptorului cu detergent cu acțiune blândă și cu apă fierbinte, apoi ștergeți-l cu o cârpă curată. Ansamblul cu role poate fi spălat cu apă și săpun cu acțiune blândă. Vaporii rezultați în urma operațiunii de gătit se acumulează în urma unor utilizări repetate, însă aceștia nu afectează în niciun fel partea inferioară a cuptorului sau roțile ansamblului cu role. După scoaterea ansamblului cu role din incinta cuptorului pentru a fi curățat, asigurați-vă că acesta este re poziționat corespunzător.
8. Acest cuptor trebuie reparat numai de personal calificat. Pentru întreținerea și repararea cuptorului, contactați cel mai apropiat dealer autorizat.
9. A nu se folosi o metodă de curățare cu abur.
10. În cazul în care cuptorul nu este păstrat în condiții de curățenie corespunzătoare, acest lucru ar putea duce la deteriorarea suprafețelor, ceea ce ar putea afecta durata de viață a aparatului și ar putea da naștere unei situații periculoase.
11. Păstrați în permanență orificiile de ventilație curate. Asigurați-vă că orificiile de ventilație aflate în partea superioară, inferioară sau în spatele cuptorului nu sunt blocate de praf sau alte materiale. Dacă sunt blocate orificiile de ventilație, acest lucru ar putea duce la încălzirea excesivă, ceea ce ar putea afecta funcționarea cuptorului și ar putea da naștere unei situații periculoase.
12. Nu folosiți detergenți cu acțiune abrazivă puternică sau obiecte de răzuit din metal la curățarea geamului ușii cuptorului, întrucât acestea pot zgâria suprafața, ceea ce poate rezulta în spargerea geamului.

Specificații tehnice

Sursă de alimentare:	230 V ~ 50 Hz	
Consum putere:	Microunde;	1250 W
leșire:	Microunde;	800W (IEC-60705)
Dimensiuni externe:	443 (W) x 340 (D) x 258 (H) mm	
Dimensiuni incintă cuptor:	306 (W) x 308 (D) x 215 (H) mm	
Greutate netă:	10.5kg	
Nivel de zgomot:	46 dB	

Specificațiile pot face obiectul schimbării fără înștiințare prealabilă.

Acest produs este un aparat ce îndeplinește standardul european de perturbații CEM (CEM = Compatibilitate Electromagnetică) EN 55011. Conform acestui standard, acest produs face parte din grupa 2, clasa B, și se încadrează în limitele impuse. Grupa 2 se referă la faptul că energia de radiofrecvență este generată în mod intenționat sub forma unei radiații electromagnetice pentru încălzirea alimentelor. Clasa B se referă la faptul că produsul poate fi folosit ca aparatură casnică normală.



Informații referitoare la eliminarea de către utilizatori a deșeurilor echipamentelor electrice și electronice (gospodării private)

Acest simbol aflat pe produse și/sau documentele de însoțire înseamnă că produsele electrice și electronice folosite nu trebuie să fie amestecate cu deșeurile menajere normale.

Pentru tratament corespunzător, regenerare și reciclare, vă rugăm să duceți aceste produse la punctele de colectare desemnate, unde vor fi acceptate gratuit. Alternativ, în unele țări ați putea să trimiteți produsul înapoi furnizorului dumneavoastră, atunci când cumpărați un produs echivalent nou.

Eliminarea corectă a acestui produs va ajuta la salvarea de resurse valoroase și va preveni orice efecte negative potențiale asupra sănătății umane și asupra mediului, ce altfel s-ar putea naște din manevrarea neadecvată a deșeurilor. Vă rugăm să vă contactați autoritățile locale pentru detalii suplimentare referitoare la punctul de colectare cel mai apropiat de dumneavoastră.

Pot fi aplicate amenzi pentru eliminarea incorectă a acestui produs, în conformitate cu legislația națională.

Pentru companiile utilizatoare din Uniunea Europeană

Dacă doriți să eliminați un echipament electric sau electronic, Vă rugăm să vă contactați furnizorul pentru informații suplimentare.

Informații referitoare la eliminare, în țări din afara Uniunii Europene

Acest simbol este valid doar în Uniunea Europeană.

Dacă doriți să eliminați acest produs, vă rugăm să contactați autoritățile locale sau furnizorul, și să întrebați care este metoda corectă de eliminare.

Conform directivei 2004/108/EC, articolul 9(2):-

Panasonic Testing Centre

Panasonic Service Europe, o divizie a Panasonic Marketing Europe GmbH
Winsbergring 15, 22525 Hamburg, F.R.Germany.

Fabricat pentru Panasonic Corporation de către GMMEAN

No. 6 Yong An RD, Beijiao, Shunde, Foshan, Guangdong, Republica Populară Chineză.

QUELMICROONDDES.COM

Panasonic Corporation

Web Site:<http://panasonic.com.net>

261800308341

Printed in P.R.C.

© Panasonic Corporation 2011